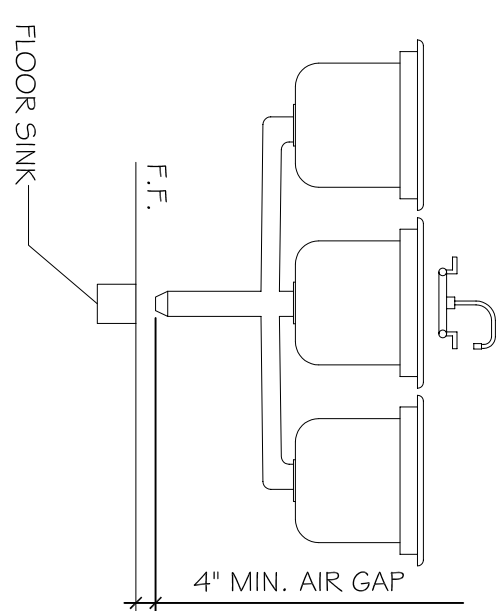
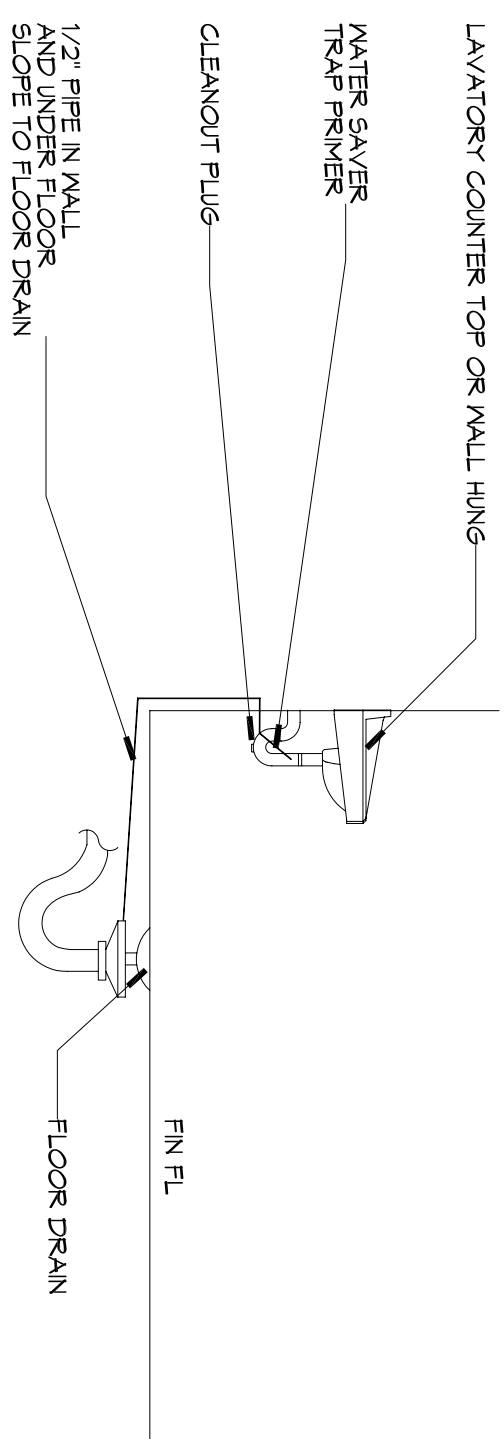


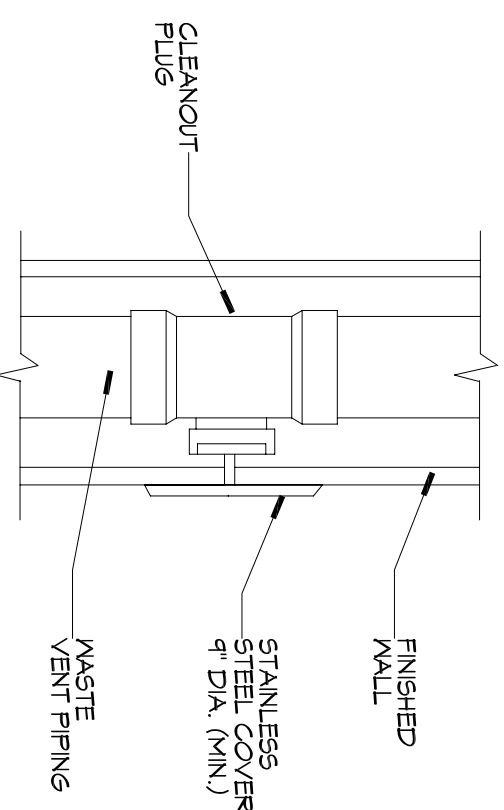
**8 MAIN WATER HEATER RISER DIAGRAM**  
SCALE: N.T.S.



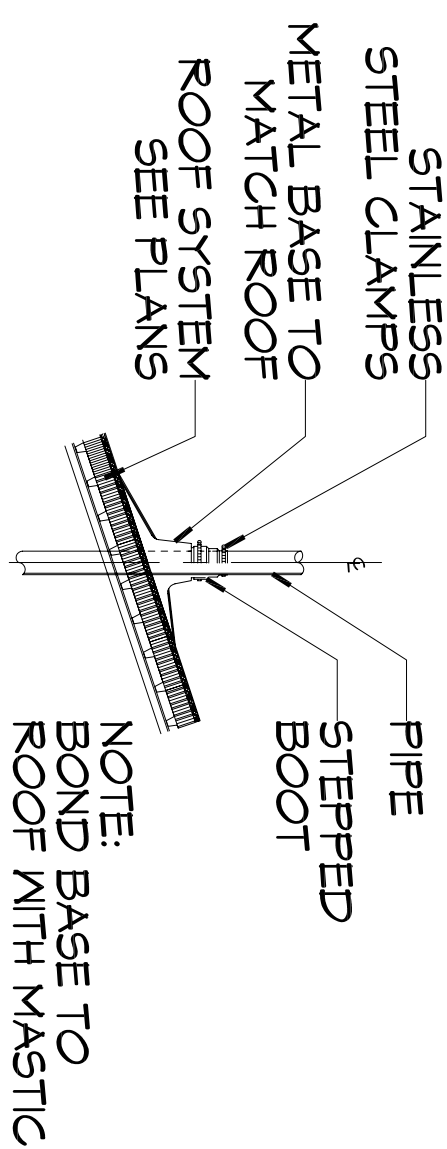
**7 FLOOR SINK DETAIL**  
SCALE: N.T.S.



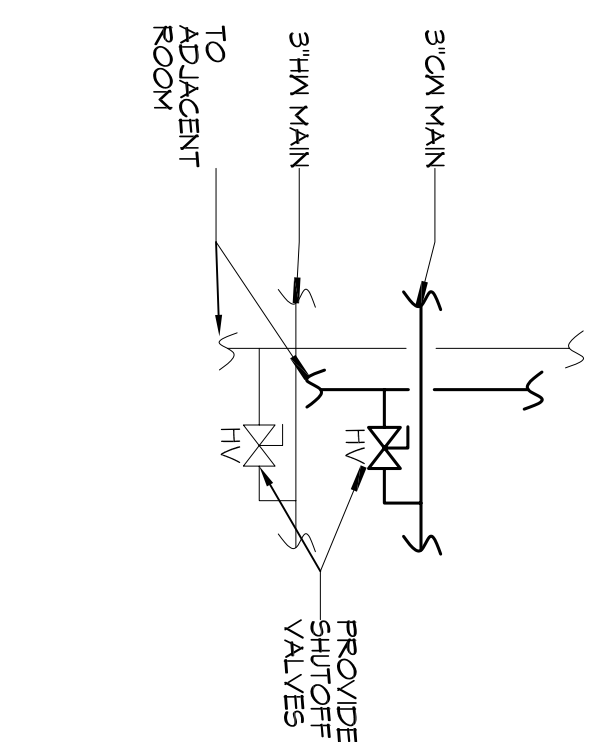
**4 TYPICAL FLOOR DRAIN DETAIL**  
SCALE: N.T.S.



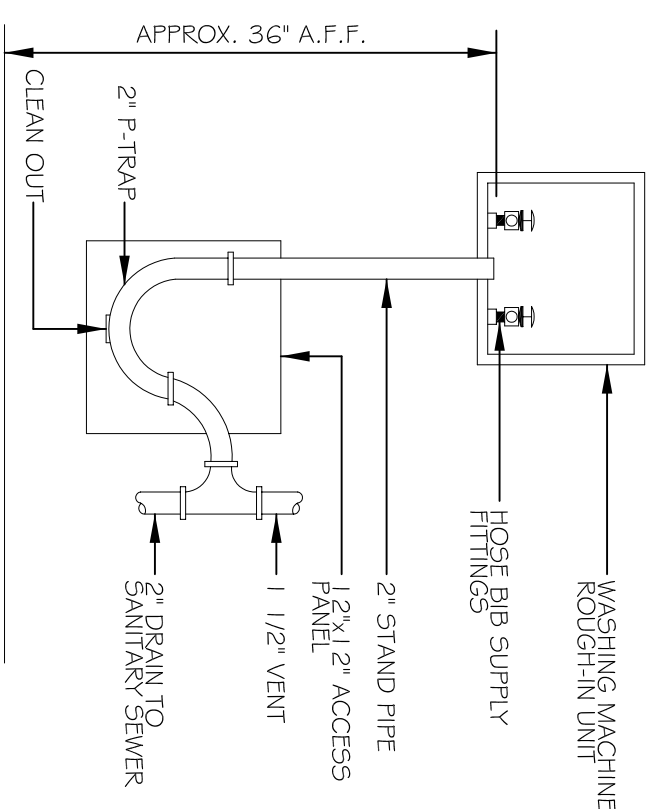
**3 WALL CLEANOUT DETAIL**  
SCALE: N.T.S.



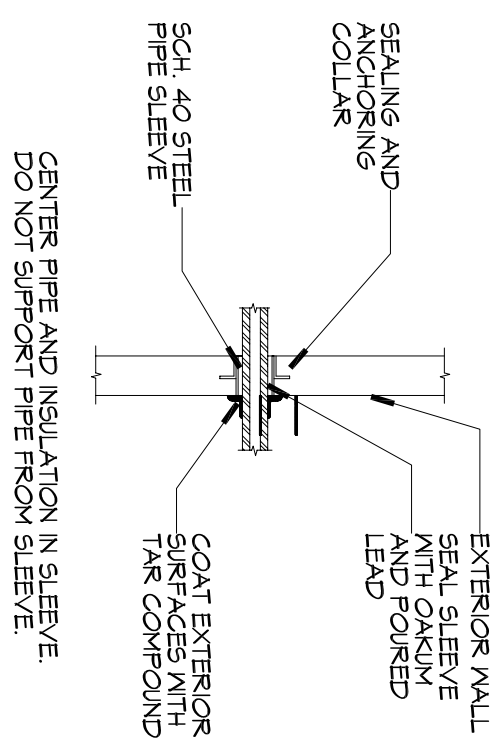
**9 WALL CLEANOUT DETAIL**  
SCALE: N.T.S.



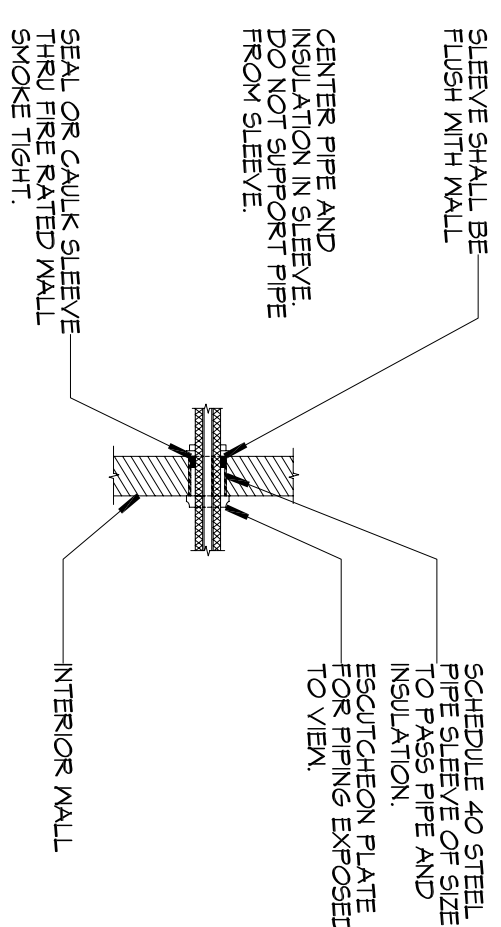
**6 TYPICAL SUITE SHUTOFF VALVE**  
SCALE: N.T.S.



**5 WASHING MACHINE HOOK-UP (GUEST LAUNDRY)**  
SCALE: N.T.S.



**2 EXTERIOR WALL SLEEVE DETAIL**  
SCALE: N.T.S.

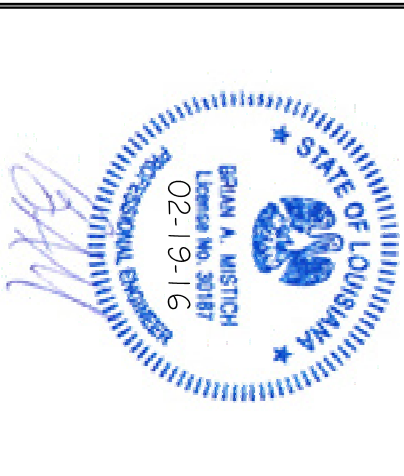


**1 TYPICAL INTERIOR WALL SLEEVE DETAIL**  
SCALE: N.T.S.

**DAMMON ENGINEERING, INC.**  
LOUISIANA & MISSISSIPPI

Chief Engineer: Brian Mistich, PE  
554 Old Spanish Trail  
Slidell, LA 70458  
www.dammonengineering.com  
info@dammonengineering.com  
PH: 985.649.5832 F: 985.641.5950

REVISIONS		DATE
#	DESCRIPTION	



**MAINSTAY SUITES**

100 MAIN STREET  
LOT 21  
HACKBERRY, LA 70645

JOB No: 2265 DATE: FEBRUARY, 2016  
DRAWN BY: CKD/JT. CHECKED BY: BAN

The above drawings and specifications, designs and engineering represented thereby and shall remain the property of Dammon Engineering, and no part thereof shall be copied, reproduced, or used in connection with any work or project other than the specific project for which they were prepared without the written consent of Dammon Engineering. Mutual contact with these drawings or specifications shall constitute an irrevocable evidence of acceptance of these drawings.

DRAWING NUMBER:

**P103**

SHEET No: 42 of 52