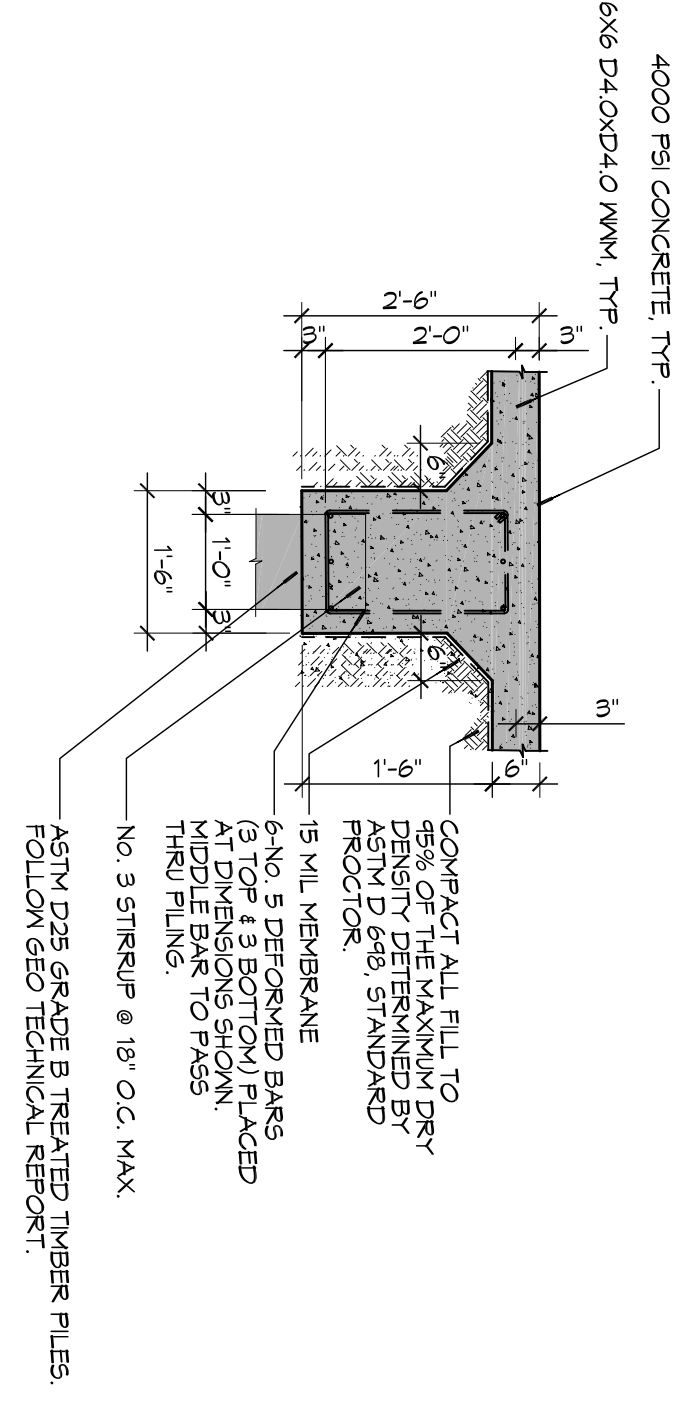
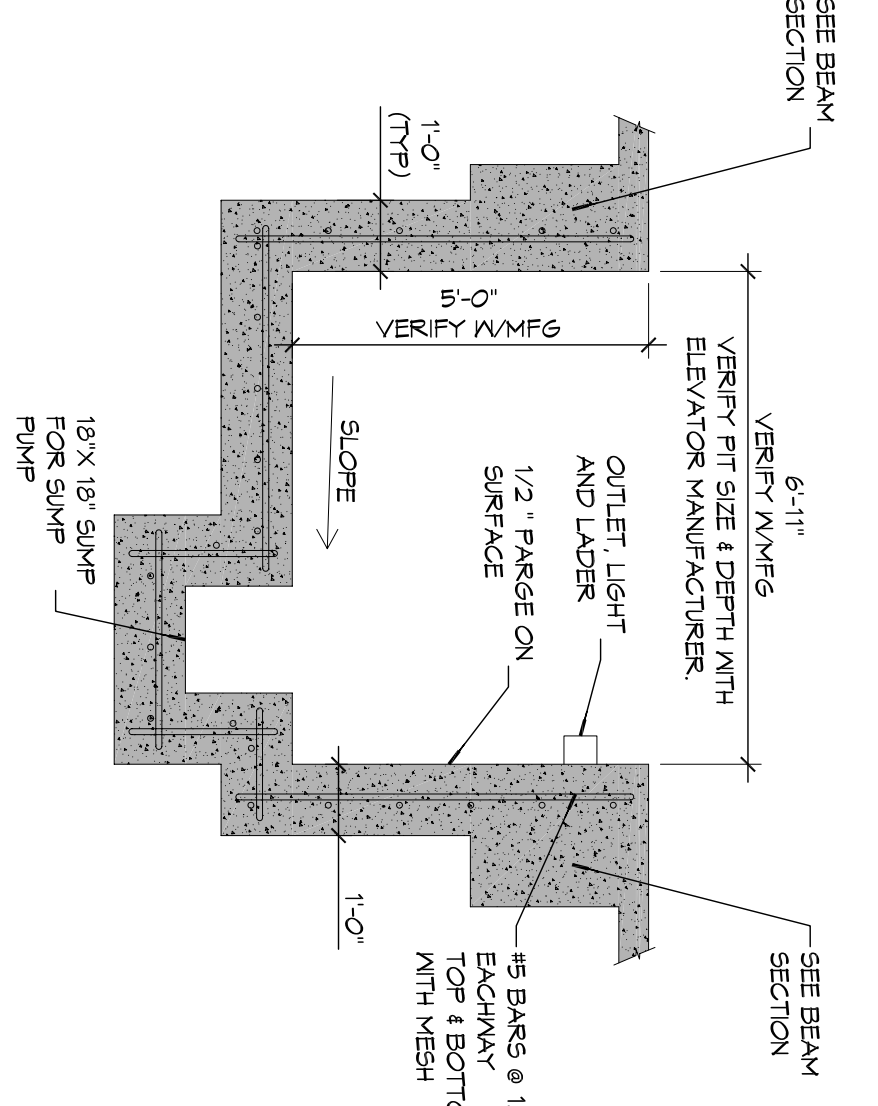


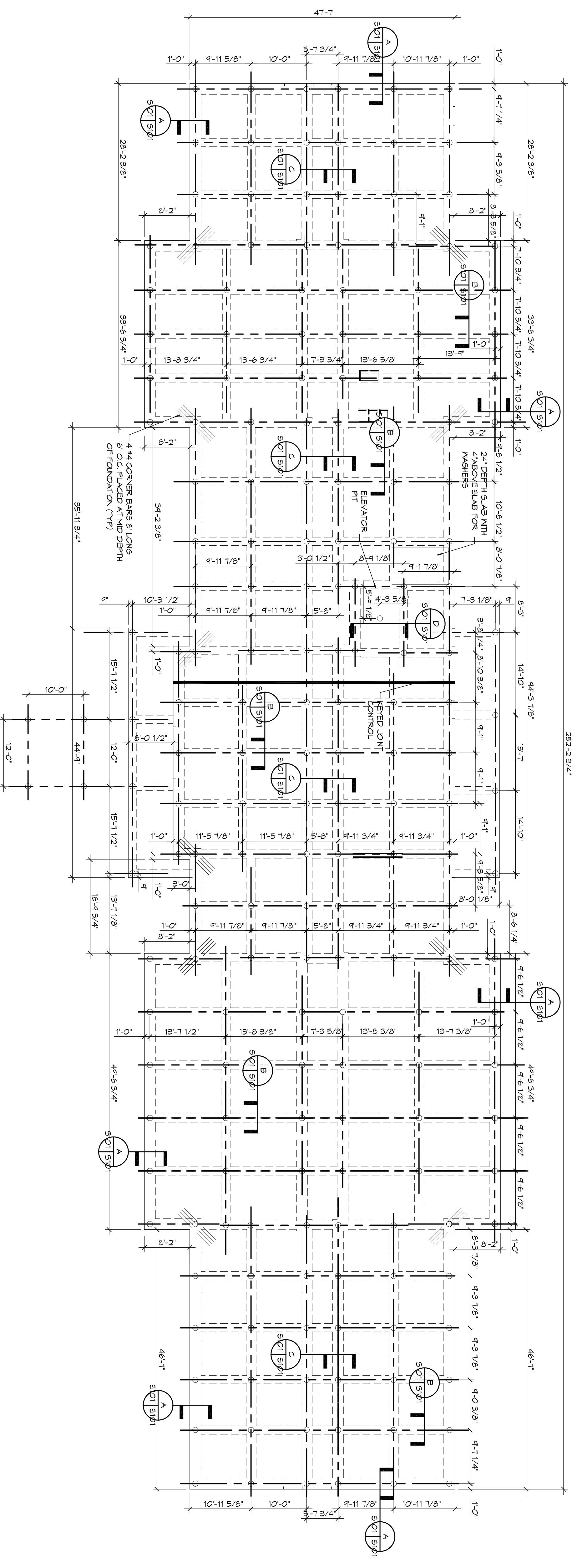
**A FOUNDATION SECTION**  
SCALE: 1/2" = 1'-0"  
EXTERIOR LOAD BEARING GRADE BEAM



**B FOUNDATION SECTION**  
SCALE: 1/2" = 1'-0"  
INTERIOR GRADE BEAM



**C FOUNDATION SECTION**  
SCALE: 1/2" = 1'-0"  
INTERIOR LOAD BEARING GRADE BEAM



**FOUNDATION & PILING PLAN**  
SCALE: 3/32" = 1'-0"

**PILING NOTES**

1. **PILE QUALITY INSTALLATION MONITORING AND PILE INSTRUCTIONS** OUTLINED IN APPENDIX I, DATED SEPTEMBER 18, 2015 TO GEOTECHNICAL ENGINEERING REPORT BY DANIEL J. HODDER, PE, INC. (REVISED 10/20/15) SHALL BE FOLLOWED.
2. PILES ARE TO BE ASTM D25 GRADE B TIMBER PILES, TREATED UNLESS OTHERWISE NOTED.
3. NO FIELD SUPERVISION OR INSPECTION PROVIDED UNDER THIS SEAL.
4. PILE LAYOUT MAY BE MODIFIED DUE TO ACTUAL DRIVING CONDITIONS.
5. A FILE BLOW COUNT LOG OF ALL PILES IS TO BE SUBMITTED TO THE ENGINEER OF RECORD. FAILURE TO SUBMIT SAID LOG WILL RELEASE THE CONTRACTOR OF ALL RESPONSIBILITY.
6. CONTRACTOR IS RESPONSIBLE FOR THE COMPARISON & VERIFICATION OF PILE LAYOUT DIMENSIONS WITH MOST RECENT ARCHITECTURAL DRAWINGS, ASSURING THAT PILES DO NOT FALL WITHIN LIMITS OF THE DESIGN.
1. FILL AS A MINIMUM QUALITY, SHALL BE 40% CLAY AND 60% SANDY MIXTURE PLACED IN 6\"/>

**GENERAL FOUNDATION NOTES**

1. ALL DIMENSIONS ARE EDGE OF CONCRETE (EOC) TO EDGE OF CONCRETE (EOC) UNLESS NOTED OTHERWISE.
2. VERIFY ALL PILING ROUGH-IN LOCATIONS ON ARCHITECTURAL DWGS.
3. CONCRETE MIX SHALL HAVE A MINIMUM COMPRESSIVE STRENGTH OF 4000 PSI AT 28 DAYS. CONCRETE MIX SHALL BE IN ACCORDANCE WITH AC-308.
4. ALL CONVENTIONAL REINFORCING STEEL SHALL MEET ASTM-A615 (GRADE 60).
5. ONE LAYER OF POLYETHYLENE VAPOUR BARRIER SHALL BE PLACED UNDER ALL CONCRETE. VAPOR RETARDER TO BE MINIMUM 15 MIL THICKNESS; ASHY R-15 CLASS POLYURETHANE OR LESS THAN 1.0\"/>

**GENERAL NOTES**

NO.	REVISIONS	DATE

**PRELIMINARY NOT FOR CONSTRUCTION**

**MAIN STAY SUITES**

100 MAIN STREET  
LOT #1 LA HWY 21  
HACKBERRY, LA 70645

JOB NO: 2265 DATE: FEBRUARY, 2016  
DRAWN BY: JTL CHECKED BY: CKD

SHEET TITLE: FOUNDATION PLAN

DRAWING NUMBER: **S101**

SHEET NO. 10 OF 10