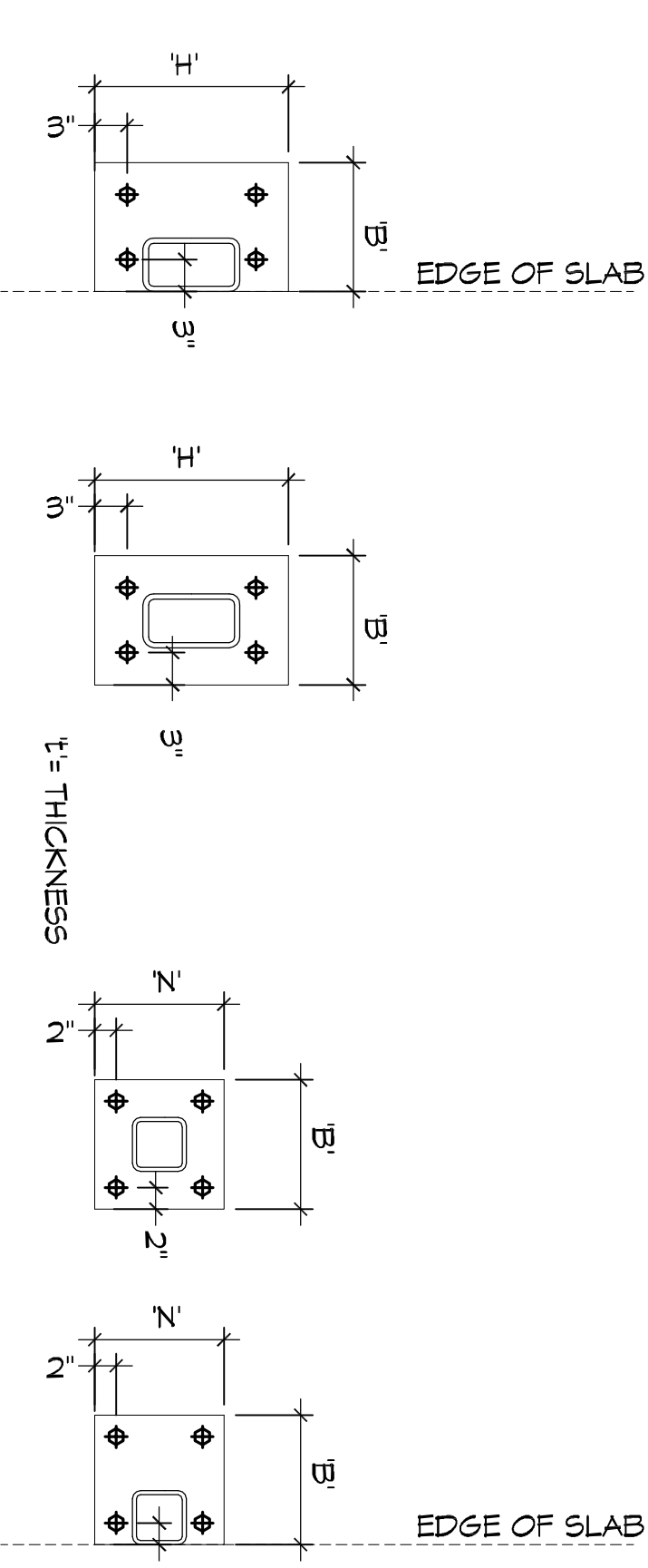


### 3 COLUMN BASE

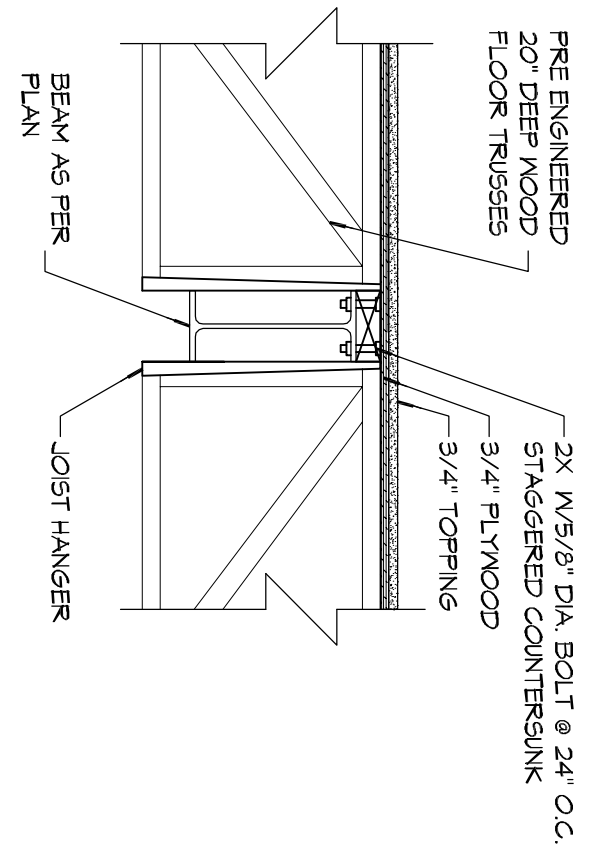
SCALE: 3/4" = 1'-0"



DESIGNATION	COLUMN SIZE	B' (in.)	H' (in.)	t' (in.)	ANCHOR BOLT
C1	HSS 4X4X1/4"	12"	12"	0.375"	(4) 1/2"x12" ANCHOR BOLT W/3" HOOK
C2	HSS 4X4X1/4"	12"	12"	0.75"	(4) 3/4"x12" ANCHOR BOLT W/3" HOOK
C3	HSS 6X6X1/4"	12"	18"	0.75"	(4) 3/4"x16" ANCHOR BOLT W/3" HOOK
C4	HSS 6X6X1/4"	12"	12"	0.5"	(4) 3/4"x16" ANCHOR BOLT W/3" HOOK

### 5 STANDARD BASE PLATE CONNECTIONS

SCALE: 3/4" = 1'-0"



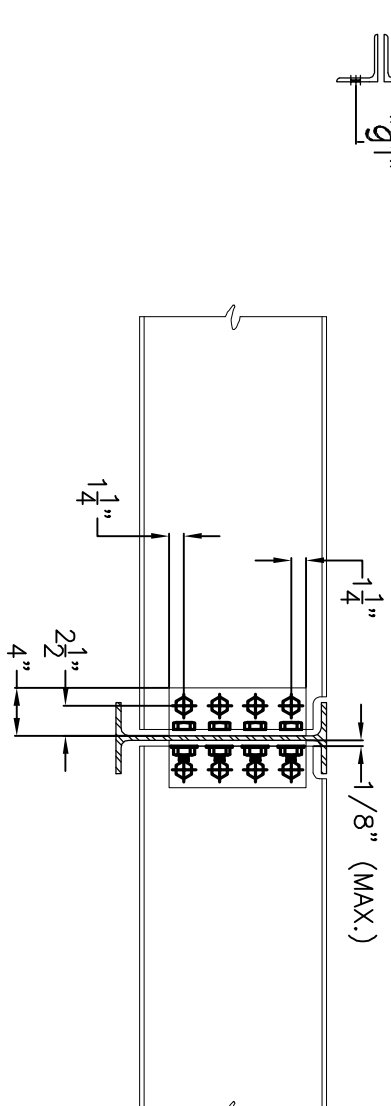
### 2 TRUSS TO BEAM CONNECTION

SCALE: 3/4" = 1'-0"

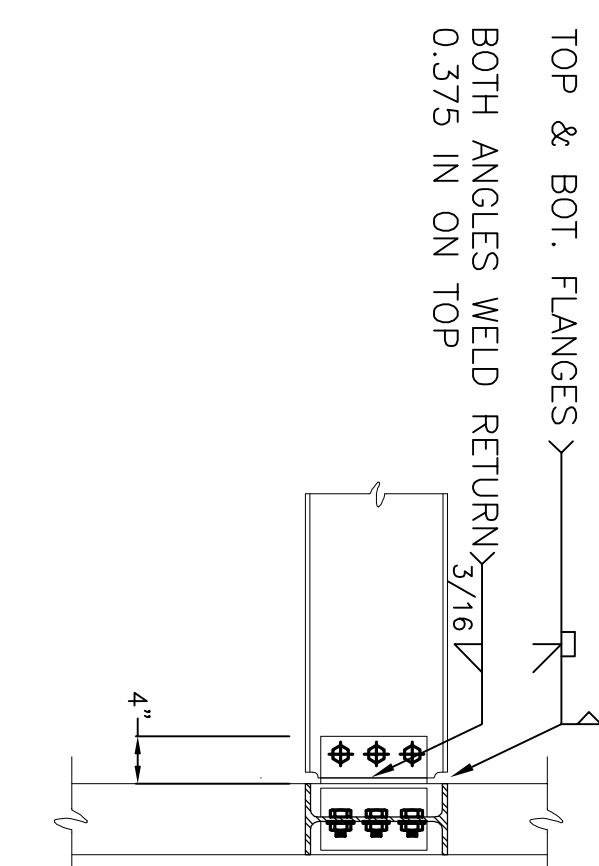
BEAM SIZE	ANGLE SIZE	"L" (in.)	"N" (BOLTS)	"Q1" (in.)
M8 & M10	L 4X3/8X3/8	5 1/2	2	4
M12 & M14	L 4X3/8X3/8	8 1/2	3	4
M24	L 4X3/8X3/8	20 1/2	7	4

BOLTS TO BE W/0 A325 (UNC)  
"N" = # OF ROWS OF BOLTS @ 3" C/C

### STANDARD BOLTED BEAM TO BEAM WEB CONNECTION DETAILS



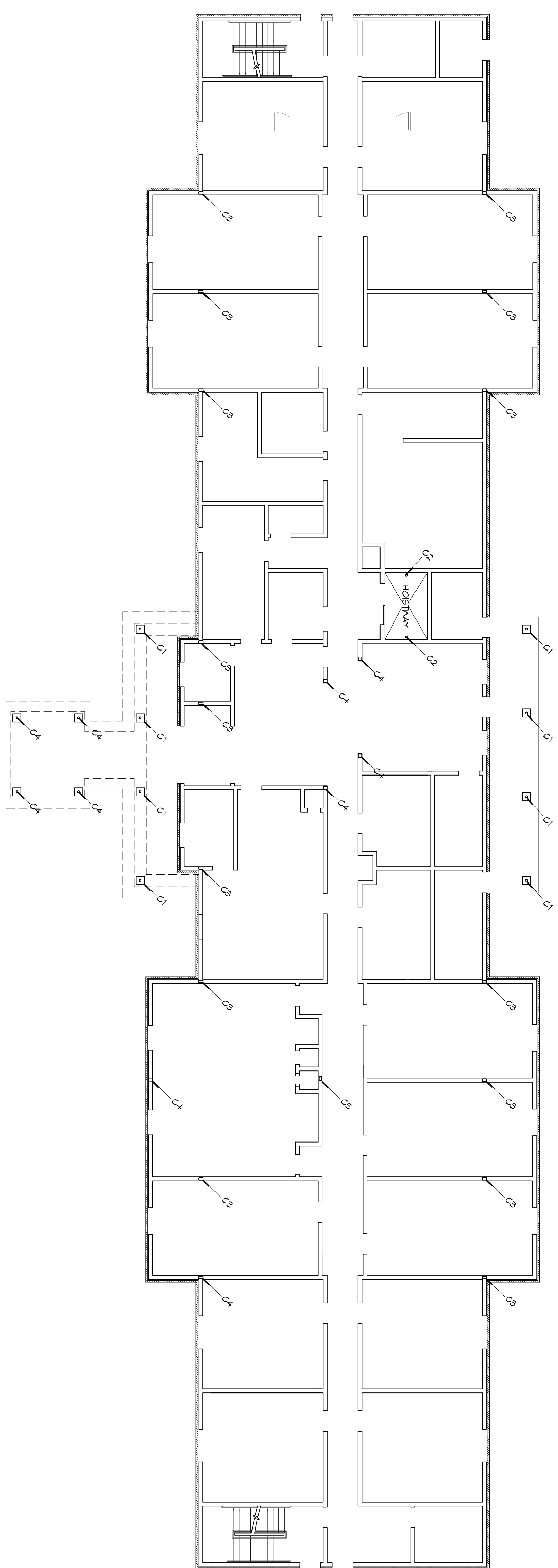
### STANDARD WELDED MOMENT CONNECTION



MARK	SIZE	BASE PLATE
C1	HSS 5X5X5/16	12X12X1
C2	HSS 4X4X1/4	12X12X3/4
C3	HSS 9X9X1/2	
C4	6X6 WOOD POST	AB166

MARK	SIZE	BASE PLATE
M1.1	THREE 2X12	
M1.2	TWO 1-3/4"x14" LVL W 1/4"	
M1.3	LVLN BETWEEN	
M1.4	THREE 1-3/4"x16" LVL W 1/4"	
M1.5	LVLN BETWEEN	
M1.6	NON-LOAD BEARING LINTELS	



### 1 COLUMN LAYOUT PLAN - LEVEL 1

SCALE: 3/32" = 1'-0"

**DAMMON ENGINEERING, INC.**  
LOUISIANA & MISSISSIPPI

Chief Engineer: Brian Mistich, PE  
554 Old Spanish Trail  
Slidell, LA 70458  
www.dammonengineering.com  
info@dammonengineering.com  
PH: 985.649.5832 F: 985.641.5950

#	DESCRIPTION	DATE



**MAINSTAY SUITES**

100 MAIN STREET  
LOT #1 LA HWY 21  
HACKBERRY, LA 70645

JOB No: 2265 DATE: APRIL, 2016

DRAWN BY: CKD/JTL CHECKED BY: BAM

SHEET TITLE:  
COLUMN LAYOUT PLAN - LEVEL 1

DRAWING NUMBER:  
**5103**

SHEET No. 13 of 52