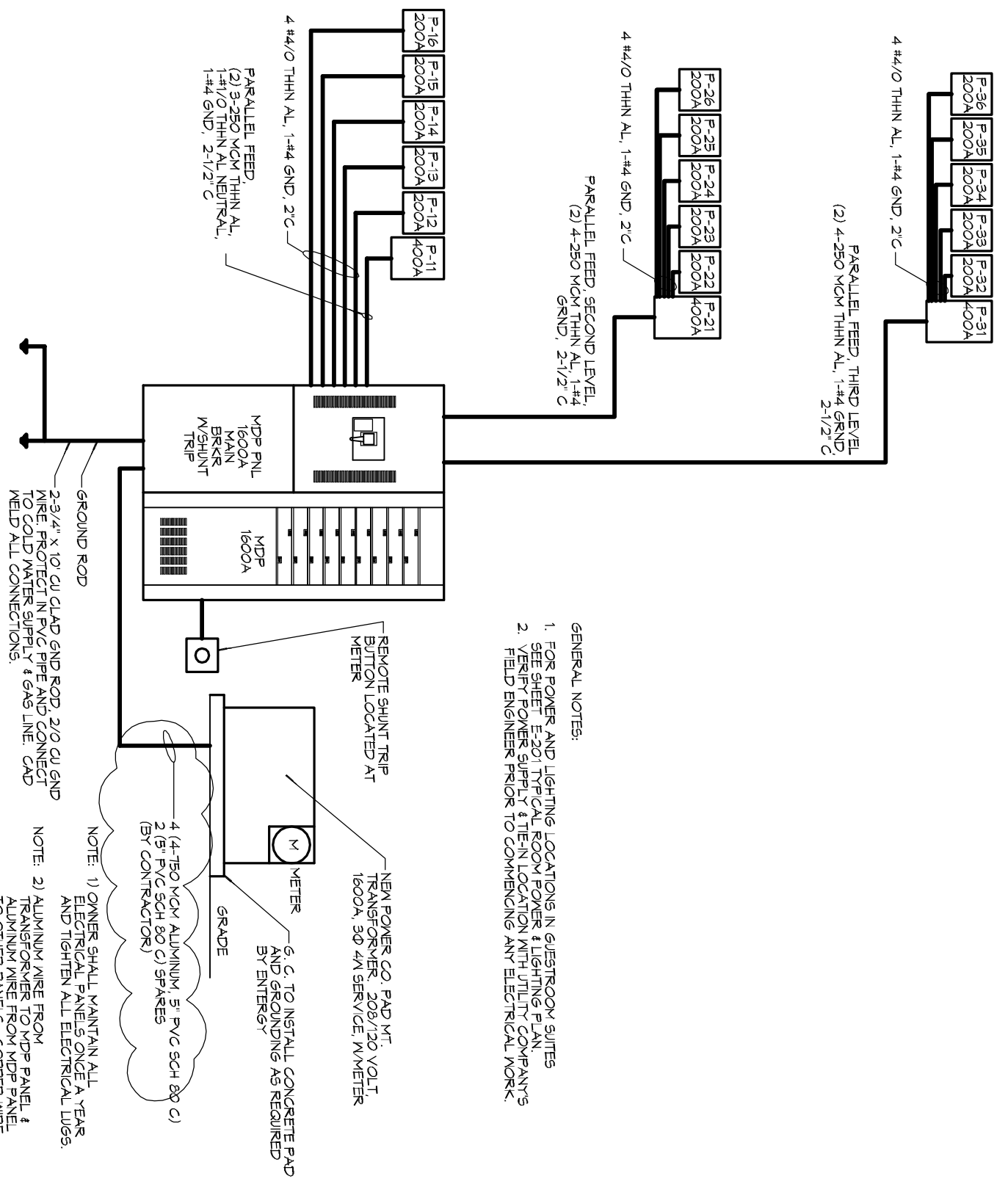


ELECTRICAL ONE-LINE DIAGRAM

SCALE: N.T.S.



- GENERAL NOTES:
1. FOR POWER AND LIGHTING LOCATIONS IN GUESTROOM SUITES SEE SHEET E-201 TYPICAL ROOM POWER & LIGHTING PLAN.
 2. VERIFY POWER SUPPLY & TIE-IN LOCATION WITH UTILITY COMPANY'S FIELD ENGINEER PRIOR TO COMMENCING ANY ELECTRICAL WORK.

NOTE: 1) OWNER SHALL MAINTAIN ALL ELECTRICAL PANELS ONCE A YEAR AND TIGHTEN ALL ELECTRICAL LUGS.

NOTE: 2) ALUMINUM WIRE FROM TRANSFORMER TO MDP PANEL & ALUMINUM WIRE FROM MDP PANEL TO OTHER PANELS. COPPER WIRE FROM OTHER PANELS TO ALL RECEPTACLES AND SWITCHES.



Main Stay Suites Sportsman's Lodge
Hackbarry, Louisiana

Submittals:

All Star Electric Inc.
Switchgear & Panel Submittals

ENGINEER:

DAMMON ENGINEERING
554 OLD SPANISH TRAIL
SLIDELL, LOUISIANA 70458

CONTRACTOR:

MC MATH CONSTRUCTION
1125 N. CAUSEWAY BLVD. SUITE #2
MANDEVILLE, LA. 70471

SHOP DRAWING / SUBMITTAL REVIEW

REVIEWED REVIEWED AS NOTED

REVISE AND RESUBMIT REJECTED

Project No.: 2265 Submittal No.: 262416-001

Corrections or comments made on the shop drawings during this review do not relieve the contractor from compliance with requirements of the drawings and specifications. This check is only for review of the general conformance with the design concept of the project and general compliance with the information given in the contract documents. This contractor is responsible for: confirming and correlating all quantities and dimensions; selecting fabrication processes and techniques of construction; coordinating his or her work with that and other trades and performing all in a safe and satisfactory manner.

By: David Dammon Date: 11-7-2016

DAMMON ENGINEERING, INC.

Slidell, LA

COMMERCIAL
1208 Bert Street
LaPlace, Louisiana 70068
Phone: (985) 618-1200
Fax (985) 618-1208

CIVIL / SERVICE
821 Little Farms Avenue
Metairie, Louisiana 70062
Phone: (504) 466-3303
Fax: (504) 466-3301



Main Stay Suites Sportsman's Lodge Hackbarry, Louisiana

All Star Electric, Inc.

NO EXCEPTION

EXCEPTIONS NOTED

EXCEPTIONS NOTED

REJECTED

"Buy approval of this shop drawing, product data or sample, we represent that we have determined and verified all materials, field measurements, and field construction criteria related hereto, that we have checked and coordinated the information contained herein with the requirements of the Work and Contract Documents. We further represent that this shop drawing, product data or sample does not deviate the requirements of the Contract Document and that no revisions have been made hereto other than those requested by the Architect on previous submittals."

SPEC SECTION 16000

BY [Signature]

DATE 10-4-16

SUBMITTAL No *1

COMMERCIAL
1208 Bert Street
LaPlace, Louisiana 70068
Phone: (985) 618-1200
Fax (985) 618-1208

CIVIL / SERVICE
821 Little Farms Avenue
Metairie, Louisiana 70062
Phone: (504) 466-3303
Fax: (504) 466-3301

NU-LITE *Electrical* WHOLESALERS

. . . . SERVICE ~ QUALITY ~ INTEGRITY



JOB: MAINSTAY SUITES
HACKBERRY, LOUISIANA
ELEC. CONTR.: ALL-STAR ELECTRIC
SUBMITTAL: DISTRIBUTION EQUIPMENT
(APPROVAL SUBMITTAL DATA)

9/23/16
KC

NU-LITE ELECTRICAL WHOLESALERS

SQUARE D COMPANY DISTRIBUTION EQUIPMENT

BILL OF MATERIAL

- (3) PANELBOARDS
- (15) LOAD CENTERS
- (1) SWITCHBOARD
- (20) SAFETY SWITCHES

Q2C Number : 38661649

BOM Number: 81498

BOM Name: MAINSTAY SUITES

BOM Sub Name:

Item Number	Quantity	Catalog Number / Details
-------------	----------	--------------------------

1-00

1

Designation: SWBD MDP
 Square D Standard Swbd Series 2
 QED Switchboard

Square D Standard Swbd Series 2
 Designed and Tested in accordance with:
 UL 891/NATIONAL ELECTRIC CODE/NEMA PB-2
 System Voltage - 208Y/120V 3Ph 4W 60Hz
 Source Description - Single Main
 System Ampacity - 1600A
 Bussing - Aluminum Plated w/Tin and Copper
 Plated w/Silver
 Neutral Bus - 100%
 Max Available Fault Current (RMS) - 18kA
 Enclosure - Type 1
 Accessibility: Front Only
 Equipment Nameplate White Surface/Black
 Letters, Adhesive (Field Installed)
 Exterior Paint Color - ANSI 49
 Ground Lug provided for each device
 Aluminum Ground Bus

Dimensions

2 - 38" Wide Section(s)
 2 - 24" Deep Enclosure(s)
 Dimensions: 72.00" W X 24" Max D X 91.5" H
 Approximate Weight: 1539.00 lbs / 698.09 kgs

Incoming Requirements

Suitable for Use As Service Entrance
 Entry Point: Right of Linesup, Through the
 Bottom
 Connection Type: Cable

Mains

1 - 1600AT 208V 80% Rated 65 kA 3 Pole UL,
 Fixed Mounted Basic Electronic Trip
 Circuit Breaker: Type RG
 Shunt Trip - 120Vac
 Nameplate - White Surface / Black
 Letters, Adhesive (Field Installed)

Feeders

5 - 200AT 208V 80% Rated 3 Pole UL, Group
 Mounted Thermal Magnetic Prepared
 Space: Type QD
 5 - 175AT 208V 80% Rated 25 kA 3 Pole UL,
 Group Mounted Thermal Magnetic Circuit
 Breaker: Type QD
 3 - 400AT 208V 80% Rated 42 kA 3 Pole UL,
 Group Mounted Thermal Magnetic Circuit
 Breaker: Type LA
 Common Feeder Features:
 Nameplate - White Surface / Black Letters,
 Adhesive (Field Installed)

Estimated Shlp Days (ARO): 20 Working Days

PLEASE RATE EQUIP. FOR
 MAX FAULT CURRENT
 OF 65,000 A.I.C.
 EQUIPMENT MAY
 BE SERIES RATED
 PROVIDED THAT IT IS
 UL LISTED AND
 RATED FOR SUCH
 USE.

Q2C Number : 38661649

BOM Number: 81496

BOM Name: MAINSTAY SUITES

BOM Sub Name:

Item Number	Quantity	Catalog Number / Details
-------------	----------	--------------------------

2-00	1	<p>Designation: F11 NQ MB Panel (INTERIOR) NQ Panelboard Consisting of 208Y/120V 3Ph 4W 60Hz SCCR: 10kA Fully Rated Single Main: 400A/3P LA Circuit Breaker Incoming Conductors: 1 - #1 - 600, (2)#1 - 250 kcmil AL Ground Bar Bus: Copper: Silver/Tin Plated 72 Circuit Interior Type 1, Box: 74H x 20W x 5.75D Incoming: Bottom Trim: Surface with Door Box Cat No: MH74 Front Cat No: NC74VS Ref. Drawing: PBA710A Feeders: 1 - 90A/3P QOB 1 - 80A/3P QOB 1 - 15A/3P QOB 11 - 20A/1P QOB Prepared Space 1 - 80A/3P QOB 1 - 50A/3P QOB 1 - 50A/2P QOB 1 - 40A/2P QOB Optional Features: Standard Panel (Box Ahead), Standard Solid Neutral, Standard Ground Bar Standard Nameplate: Engraved as Follows Line 1: F11 Size: 3.50" Wide x 1.00" High (Std) Color: Black Surface / White Letters Plastic/Adhesive - Screw-on</p>
------	---	---

I-LINE ML PANEL

SERIES RATED FOR 42KAIC WHEN FED FROM 400A LA BREAKER IN MDP

MAIN LUG ONLY

FEEDER BREAKERS

- 1 - 90A / 3P
- 1 - 80A / 3P
- 3 - 60A / 3P
- 1 - 50A / 3P
- 9 - 15A / 3P
- 1 - 40A / 2P
- 1 - 30A / 2P
- 2 - 15A / 2P

Estimated Ship Days (ARO): 13 Working Days

70-00	1	<p>Designation: F11 MH74 (BOX) NQ Standard TYPE 1 Box 74 H</p>
-------	---	--

Estimated Ship Days (ARO): 4 Working Days

71-00	1	<p>Designation: F11 NC74VS (TRIM) Trim Surface w/Door 74"H</p>
-------	---	--

Estimated Ship Days (ARO): 15 Working Days

3-00	1	<p>Designation: F12 QO342L225G LOAD CENTER QO MLO 240V 225A 3PH 42SP</p>
------	---	--

65-00	1	<p>Designation: F12 QOC42UF LOAD CENTER COVER QO</p>
-------	---	--

66-00	38	<p>Designation: F12 QO120 MINIATURE CIRCUIT BREAKER 120/240V 20A</p>
-------	----	--

67-00	2	<p>Designation: F12 QO230 MINIATURE CIRCUIT BREAKER 120/240V 30A</p>
-------	---	--

5-00	1	<p>Designation: F13 QO342L225G LOAD CENTER QO MLO 240V 225A 3PH 42SP</p>
------	---	--

Q2C Number : 38661649

BOM Number: 81496

BOM Name: MAINSTAY SUITES

BOM Sub Name:

Item Number	Quantity	Catalog Number / Details
51-00	1	Designation: F13 QOC42UF LOAD CENTER COVER QO
52-00	42	Designation: F13 QO120 MINIATURE CIRCUIT BREAKER 120/240V 20A
6-00	1	Designation: F14 QO342L225G LOAD CENTER QO MLO 240V 225A 3PH 42SP
53-00	1	Designation: F14 QOC42UF LOAD CENTER COVER QO
54-00	32	Designation: F14 QO120 MINIATURE CIRCUIT BREAKER 120/240V 20A
55-00	5	Designation: F14 QO220 MINIATURE CIRCUIT BREAKER 120/240V 20A
7-00	1	Designation: F15 QO342L225G LOAD CENTER QO MLO 240V 225A 3PH 42SP
58-00	1	Designation: F15 QOC42UF LOAD CENTER COVER QO
59-00	32	Designation: F15 QO120 MINIATURE CIRCUIT BREAKER 120/240V 20A
60-00	5	Designation: F15 QO220 MINIATURE CIRCUIT BREAKER 120/240V 20A
8-00	1	Designation: F16 QO342L225G LOAD CENTER QO MLO 240V 225A 3PH 42SP
61-00	1	Designation: F16 QOC42UF LOAD CENTER COVER QO
62-00	10	Designation: F16 QO120 MINIATURE CIRCUIT BREAKER 120/240V 20A
63-00	2	Designation: F16 QO220 MINIATURE CIRCUIT BREAKER 120/240V 20A
64-00	2	Designation: F16 QO130 MINIATURE CIRCUIT BREAKER 120/240V 30A

Q2C Number : 38561649

BOM Number: 81496

BOM Name: MAINSTAY SUITES

BOM Sub Name:

Item Number	Quantity	Catalog Number / Details
9-00	1	Designation: P21 I-Line ML Panel (INTERIOR) I-Line Panelboard Consisting of 208Y/120V 3Ph 4W 60Hz SCCR: 10kA Fully Rated Main Lug Only: 400A Incoming Conductors: 1 - (2) #4 - 600 kcmil AL Ground Bar Bus: Copper; Tin Plated 45" of Mounting Inches Type 1, Box: 64H x 32W x 8.25D Incoming: Bottom Trim: Surface w/ Door Box Cat No: HC3264B Ref. Drawing: PBA402 Type: HCM Feeders: ✓ 24 - 20A/1P QO ✓ 5 - 175A/3P QB ✓ 1 - 60A/3P FA Optional Features: Standard Panel (Box Ahead), Standard Solid Neutral, Standard Ground Bar, Standard Mains and Feeders Mechanically Restrained Standard Nameplate: Engraved as Follows Line 1: P21 Size: 3.50" Wide x 1.00" High (Std) Color: Black Surface / White Letters Plastic/Adhesive - Screw-on
68-00	1	Estimated Ship Days (ARO): 15 Working Days Designation: P21 HC3264B (BOX) I-Line Standard TYPE 1 Box 64 H
69-00	1	Estimated Ship Days (ARO): 4 Working Days Designation: P21 HCM64TSD (TRIM) Trim Surface w/Door 64"H
10-00	1	Estimated Ship Days (ARO): 15 Working Days Designation: F22 QO342L225G LOAD CENTER QO MLO 240V 225A 3PH 42SP
21-00	1	Designation: F22 QOC42UF LOAD CENTER COVER QO
22-00	30	Designation: F22 QO120 MINIATURE CIRCUIT BREAKER 120/240V 20A
23-00	6	Designation: F22 QO220 MINIATURE CIRCUIT BREAKER 120/240V 20A
11-00	1	Designation: F25 QO342L225G LOAD CENTER QO MLO 240V 225A 3PH 42SP
39-00	1	Designation: F25 QOC42UF LOAD CENTER COVER QO

*SERIES RATED
 FOR 42KAIC
 WHEN FED FROM
 TYPE LA BREAKER
 IN SWITCHBOARD MDP*

Q2C Number : 38661649

BOM Number: 81496

BOM Name: MAINSTAY SUITES

BOM Sub Name:

Item Number	Quantity	Catalog Number / Details
40-00	32	Designation: F25 QO120 MINIATURE CIRCUIT BREAKER 120/240V 20A
41-00	5	Designation: F25 QO220 MINIATURE CIRCUIT BREAKER 120/240V 20A
12-00	1	Designation: F24 QO342L225G LOAD CENTER QO MLO 240V 225A 3PH 42SP
24-00	1	Designation: F24 QOC42UF LOAD CENTER COVER QO
25-00	32	Designation: F24 QO120 MINIATURE CIRCUIT BREAKER 120/240V 20A
26-00	5	Designation: F24 QO220 MINIATURE CIRCUIT BREAKER 120/240V 20A
13-00	1	Designation: F23 QO342L225G LOAD CENTER QO MLO 240V 225A 3PH 42SP
27-00	1	Designation: F23 QOC42UF LOAD CENTER COVER QO
28-00	32	Designation: F23 QO120 MINIATURE CIRCUIT BREAKER 120/240V 20A
29-00	5	Designation: F23 QO220 MINIATURE CIRCUIT BREAKER 120/240V 20A
14-00	1	Designation: F26 QO342L225G LOAD CENTER QO MLO 240V 225A 3PH 42SP
36-00	1	Designation: F26 QOC42UF LOAD CENTER COVER QO
37-00	32	Designation: F26 QO120 MINIATURE CIRCUIT BREAKER 120/240V 20A
38-00	5	Designation: F26 QO220 MINIATURE CIRCUIT BREAKER 120/240V 20A

Q2C Number : 38661649

BOM Number: 81496

BOM Name: MAINSTAY SUITES

BOM Sub Name:

Item Number	Quantity	Catalog Number / Details
15-00	1	<p>Designation: F31 I-Line ML Panel (INTERIOR) I-Line Panelboard Consisting of 208Y/120V 3Ph 4W 60Hz SCCR: 10kA Fully Rated Main Lug Only: 400A Incoming Conductors: 1 - (2) #4 - 600 kcmil AL Ground Bar Bus: Copper: Tin Plated 45" of Mounting Inches Type 1, Box: 64H x 32W x 8.25D Incoming: Bottom Trim: Surface with Door Box Cat No: HC3264B Ref. Drawing: PBA402 Type: HCM Feeders: ✓ 24 - 20A/1P QO ✓ 3 - 175A/3P QB ✓ 2 - 200A/3P QB ✓ 1 - 60A/3P FA Optional Features: Standard Panel (Box Ahead), Standard Solid Neutral, Standard Ground Bar, Standard Mains and Feeders Mechanically Restrained Standard Nameplate: Engraved as Follows Line 1: F31 Size: 3.50" Wide x 1.00" High (Std) Color: Black Surface / White Letters Plastic/Adhesive - Screw-on</p> <p>Estimated Ship Days (ARO): 15 Working Days</p>
56-00	1	<p>Designation: F31 HC3264B (BOX) I-Line Standard TYPE 1 Box 64 H</p> <p>Estimated Ship Days (ARO): 4 Working Days</p>
57-00	1	<p>Designation: F31 HCM64TSD (TRIM) Trim Surface w/Door 64"H</p> <p>Estimated Ship Days (ARO): 15 Working Days</p>
16-00	1	<p>Designation: F32 QO342L225G LOAD CENTER QO MLO 240V 225A 3PH 42SP</p>
45-00	1	<p>Designation: F32 QOC42UF LOAD CENTER COVER QO</p>
46-00	30	<p>Designation: F32 QO120 MINIATURE CIRCUIT BREAKER 120/240V 20A</p>
47-00	6	<p>Designation: F32 QO220 MINIATURE CIRCUIT BREAKER 120/240V 20A</p>
17-00	1	<p>Designation: F33 QO342L225G LOAD CENTER QO MLO 240V 225A 3PH 42SP</p>
30-00	1	<p>Designation: F33 QOC42UF LOAD CENTER COVER QO</p>

SERIES RATED
FOR 42KAIC
WHEN FED FROM
TYPE LA BREAKER
IN SWITCHBOARD

Q2C Number : 38661649

BOM Number: 81496

BOM Name: MAINSTAY SUITES

BOM Sub Name:

Item Number	Quantity	Catalog Number / Details
31-00	32	Designation: F33 QO120 MINIATURE CIRCUIT BREAKER 120/240V 20A
32-00	5	Designation: F33 QO220 MINIATURE CIRCUIT BREAKER 120/240V 20A
18-00	1	Designation: F34 QO342L225G LOAD CENTER QO MLO 240V 225A 3PH 42SP
33-00	1	Designation: F34 QOC42UF LOAD CENTER COVER QO
34-00	32	Designation: F34 QO120 MINIATURE CIRCUIT BREAKER 120/240V 20A
35-00	5	Designation: F34 QO220 MINIATURE CIRCUIT BREAKER 120/240V 20A
19-00	1	Designation: F35 QO342L225G LOAD CENTER QO MLO 240V 225A 3PH 42SP
42-00	1	Designation: F35 QOC42UF LOAD CENTER COVER QO
43-00	32	Designation: F35 QO120 MINIATURE CIRCUIT BREAKER 120/240V 20A
44-00	5	Designation: F35 QO220 MINIATURE CIRCUIT BREAKER 120/240V 20A
20-00	1	Designation: F36 QO342L225G LOAD CENTER QO MLO 240V 225A 3PH 42SP
48-00	1	Designation: F36 QOC42UF LOAD CENTER COVER QO
49-00	32	Designation: F36 QO120 MINIATURE CIRCUIT BREAKER 120/240V 20A
50-00	5	Designation: F36 QO220 MINIATURE CIRCUIT BREAKER 120/240V 20A
72-00	2	H221N SWITCH FUSIBLE HD 240V 30A 2P NEMA1
73-00	2	H321N SWITCH FUSIBLE HD 240V 30A 3P NEUTRAL
74-00	7	H321NRB SWITCH FUSIBLE HD 240V 30A 3P NEUTRAL
75-00	6	H322N SWITCH FUSIBLE HD 240V 60A NEMA1/NEUTRAL
76-00	1	H323N SWITCH FUSIBLE HD 240V 100A 3P /NEUTRAL
77-00	1	H322NRB SWITCH FUSIBLE HD 240V 60A 3P NEUTRAL
78-00	1	H323NRB SW FUSIBLE 240V 100A 3P NEMA3R/NEUTRAL

REV	DESCRIPTION	BY	DATE

LEGEND
MX1 Shunt Trip

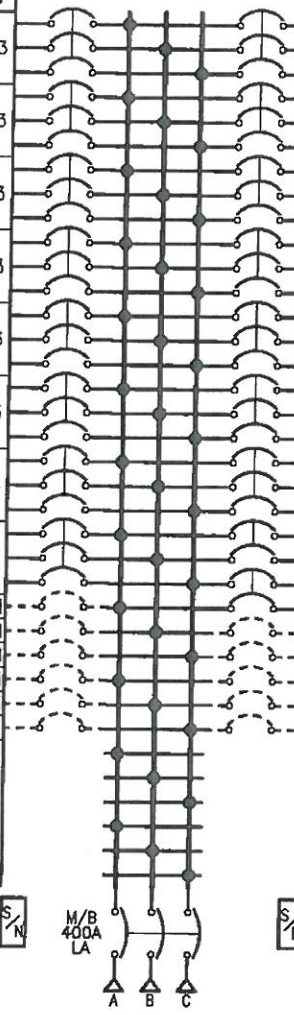
POWER STYLE QED-2 SWITCHBOARD SERIES 2

SECT NO	CKT NO	GMD HEIGHT	DEVICE / FRAME RATING	TRIP AMP	FUSE/ TRIP	#P	DESIGNATION	N/P	LUG/WIRE INFORMATION			ACCESSORIES / NOTES	
									QTY	PHASE	WIRE RANGE		QTY
1	1	4.5 in	Equipment Nameplate				SWBD MDP	Yes					
1	2	4.5 in	QD (PS)	(200A)		3P	Blank Nameplate	Yes	1	#4 - 300	kernil	1	#4 - 300 kernil
1	3	4.5 in	QD (PS)	(200A)		3P	Blank Nameplate	Yes	1	#4 - 300	kernil	1	#4 - 300 kernil
1	4	4.5 in	QD	175A		3P	P-16	Yes	1	#4 - 300	kernil	1	#4 - 300 kernil
1	5	6 in	QD	175A		3P	P-15	Yes	1	#4 - 300	kernil	1	#4 - 300 kernil
1	6	6 in	LA	400A		3P	P-11	Yes	2	3/0 - 250	kernil	2	3/0 - 250 kernil
1	7	6 in	LA	400A		3P	P-31	Yes	2	3/0 - 250	kernil	2	3/0 - 250 kernil
1	8	4.5 in	QD	175A		3P	P-21	Yes	2	3/0 - 250	kernil	2	3/0 - 250 kernil
1	9	4.5 in	QD	175A		3P	P-14	Yes	1	#4 - 300	kernil	1	#4 - 300 kernil
1	10	4.5 in	QD	175A		3P	P-13	Yes	1	#4 - 300	kernil	1	#4 - 300 kernil
1	11	4.5 in	QD	175A		3P	P-12	Yes	1	#4 - 300	kernil	1	#4 - 300 kernil
1	12	4.5 in	QD (PS)	(200A)		3P	Blank Nameplate	Yes	1	#4 - 300	kernil	1	#4 - 300 kernil
1	13	4.5 in	QD (PS)	(200A)		3P	Blank Nameplate	Yes	1	#4 - 300	kernil	1	#4 - 300 kernil
2	M1		RG 1600A	1600A		3P	1600A MAIN	Yes	5	3/0 - 750	kernil	5	3/0 - 750 kernil MX1

NAMEPLATE INFORMATION:		JOB NAME:	MAINSTAY SUITES
MOUNTING TYPE: Adhesive (Field Installed)		JOB LOCATION:	HACKBERRY LA
EQUIPMENT: White Surface/Black Letters		DRAWN BY:	(QZC)
REBAR: White Surface / Black Letters		ENGINE:	
		DATE:	September 23 2016
		DRAWING STATUS:	QUOTE
		DWG#	033651640-01
		EQUIPMENT DESIGNATION:	SWBD MDP
		EQUIPMENT TYPE:	QED Switchboard
		DRAWING TYPE:	SCHEDULE
		REV	1
		PG	2 OF 2
		REV	

REV	DESCRIPTION	BY	DATE				
---	-----	---	---/---/---	---	---	---	---

CKT NO	ACCESSORIES	TYPE	RATING AMP/P		RATING AMP/P	TYPE	ACCESSORIES	CKT NO
1								2
3		QOB	90/3		60/3	QOB		4
5								6
7								8
9		QOB	60/3		50/3	QOB		10
11								12
13								14
15		QOB	15/3		15/3	QOB		16
17								18
19								20
21		QOB	15/3		15/3	QOB		22
23								24
25								26
27		QOB	15/3		15/3	QOB		28
29								30
31								32
33		QOB	15/3		15/3	QOB		34
35								36
37								38
39		QOB	15/3		15/3	QOB		40
41								42
43								44
45		QOB	15/3		50/2	QOB		46
47								48
49	PREPARED SPACE	QOB	20/1		40/2	QOB		50
51	PREPARED SPACE	QOB	20/1		20/1	QOB	PREPARED SPACE	52
53	PREPARED SPACE	QOB	20/1		20/1	QOB	PREPARED SPACE	54
55	PREPARED SPACE	QOB	20/1		20/1	QOB	PREPARED SPACE	56
57	PREPARED SPACE	QOB	20/1		20/1	QOB	PREPARED SPACE	58
59	PREPARED SPACE	QOB	20/1		20/1	QOB	PREPARED SPACE	60
61								62
63								64
65								66
67								68
69								70
71	BLANK						BLANK	72



PHYSICAL DATA
ENCLOSURE Type 1

Surface with Door
 FRONT CAT#: NC74VS
 BOX CAT#: MH74
 DIMENSIONS:
 74"H x 20"W x 5.75"D
 WIRE BENDING SPACE:
 TOP - 12.25
 BOTTOM - 15.43
 SIDE - 5.9
 PBA: 710A
 BUSSING: Copper
 Silver/Tin Plated
 OPTIONAL FEATURES:
 ALUMINUM SOLID NEUTRAL
 ALUMINUM GROUND BAR
 -----STANDARD EQUIPMENT NAMEPLATE-----
 (Continued on next page.)

ELECTRICAL DATA

SYSTEM: 208Y/120V 3Ph 4W 60Hz
 System Ampacity: 400A
 10kA SYMS. SCCR
 MAIN: MAIN BREAKER LA 400A
 Bottom FEED
 42kA AIR
 INCOMING CONDUCTOR(S) PER NEC
 Wire Bending Space:
 #1 - 600,(2)#1 - 250 kcmil
 BRANCH MOUNTING TYPE: BOLT-ON

SERIES RATED 42KA

-----BRANCH SUMMATION-----

1 - 90A/3P QOB	1 - 60A/3P QOB
11 - 15A/3P QOB	11 - 20A/1P-PS QOB
1 - 80A/3P QOB	1 - 50A/3P QOB
1 - 50A/2P QOB	1 - 40A/2P QOB

JOB NAME:	MAINSTAY SUITES	EQUIPMENT DESIGNATION:	F11
JOB LOCATION:	HACKBERRY LA	EQUIPMENT TYPE:	NQ (Circuit Breaker Type) PANEL 1 OF 1
DRAWN BY:	(Q2C)	DRAWING TYPE:	ONE LINE DIAGRAM
ENGR:			
DATE:	September 23 2016		
DRAWING STATUS:	QUOTE	DWG# 038661649-01	PG 1 OF 2 REV -

REV	DESCRIPTION	BY	DATE	-	----	---	---/---/---
-	----	--	---/---/---	-	----	---	---/---/---

PHYSICAL DATA CONTINUED


Engraved as Follows

LINE 1: F11

COLOR: Black Surface / White Letters

SIZE: 3.50" Wide x 1.00" High (Std)

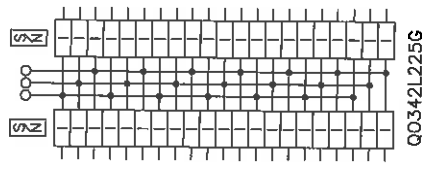
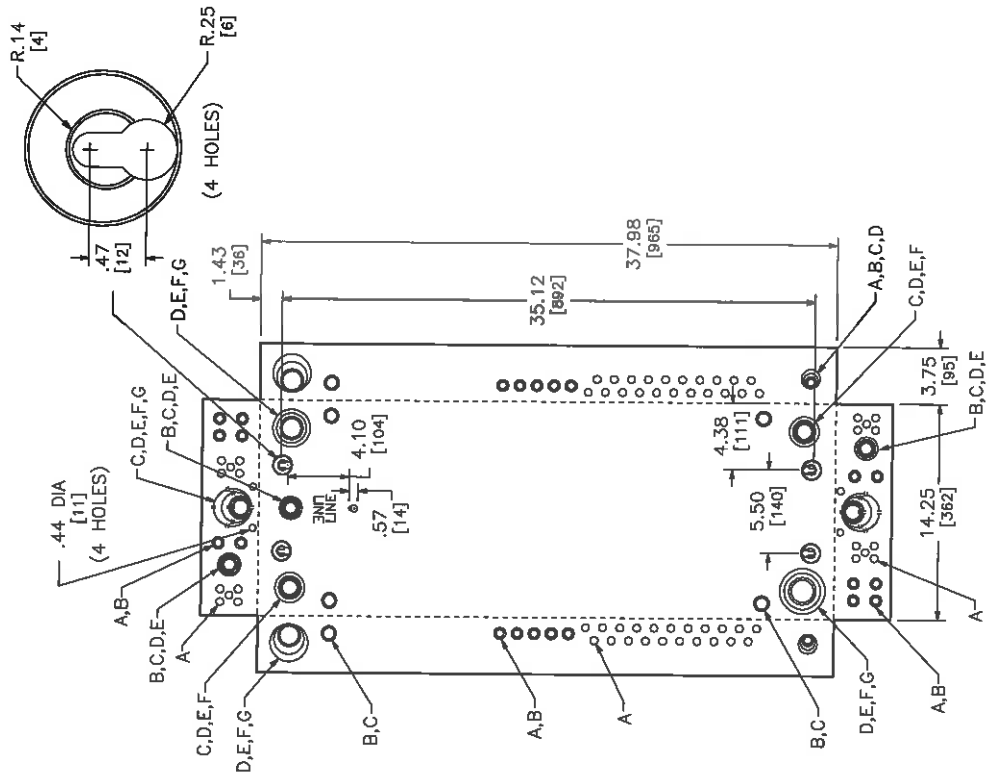
TYPE: Plastic/Adhesive - Screw-on

JOB NAME:	MAINSTAY SUITES	EQUIPMENT DESIGNATION:	F11
JOB LOCATION:	HACKBERRY LA	EQUIPMENT TYPE:	NQ (Circuit Breaker Type) PANEL 1 OF 1
DRAWN BY:	(Q2C)	DRAWING TYPE:	ONE LINE DIAGRAM
ENGR:			
DATE:	September 23 2016		
DRAWING STATUS:	QUOTE	DWG# 038661649-01	PG 2 OF 2 REV -

REV	DESCRIPTION	BY	DATE

KNOCKOUTS

SYMBOL	A	B	C	D	E	F	G
IN	.50	.75	1.00	1.25	1.50	2.00	2.50
MM	13	19	25	32	38	51	64



Q0342L225G

DUAL DIMENSIONS: INCHES MILLIMETERS

CATALOG NUMBER	MAXIMUM SYSTEM VOLTAGE	MAINS AMPERE RATING	SPACES	MAXIMUM NUMBER OF SINGLE POLE CIRCUITS	MAIN WIRE SIZE AWG/ CU
Q0342L225G	208Y/120VAC 3Ø 4W 240/120VAC 3Ø 4W 240VAC 3Ø 3W	225	42	42	#4-300

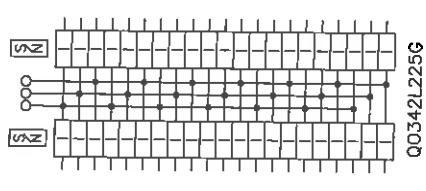
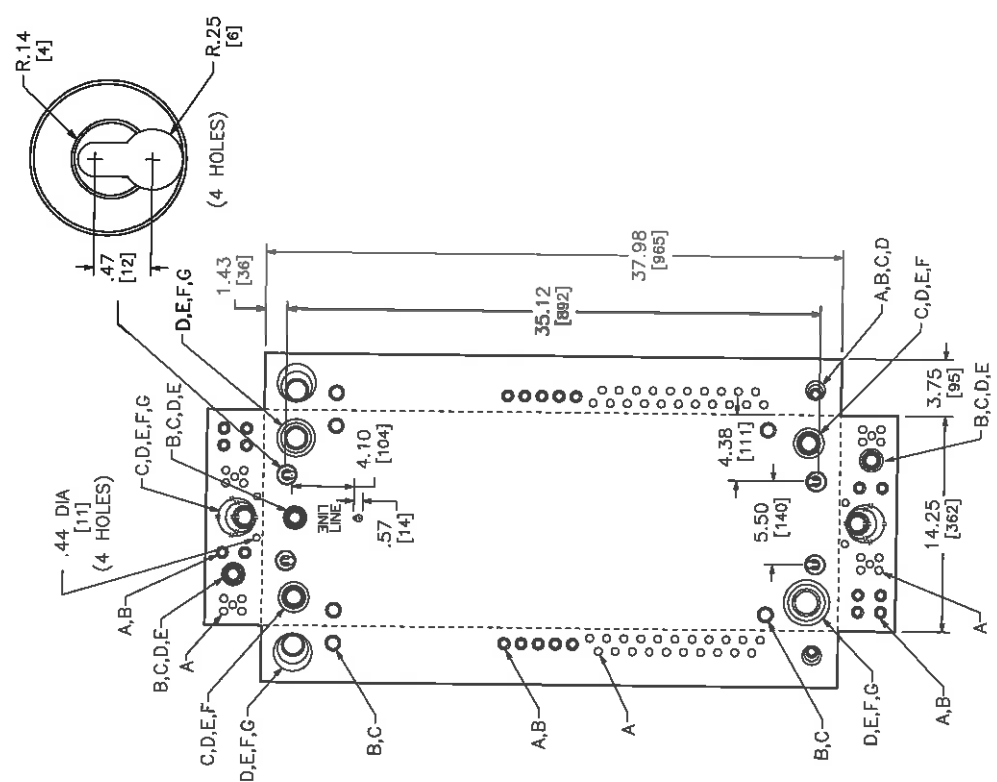
NOTES:
 FINISH - GRAY BAKED ENAMEL ELECTRODEPOSITED OVER CLEANED PHOSPHATIZED STEEL.
 UL LISTED - FILE E-6294
 NEUTRALS - INSULATED GROUNDABLE.
 LOAD CENTERS WITH "G" IN CATALOG NUMBER INCLUDE A FIELD INSTALLABLE EQUIPMENT GROUND BAR KIT.

JOB NAME:	MAINSTAY SUITES	EQUIPMENT DESIGNATION:	F13
JOB LOCATION:	HACKBERRY LA	EQUIPMENT TYPE:	
DRAWN BY:	(020)	DRAWING TYPE:	
ENGR:		DATE:	September 23 2016
DRAWING STATUS:	QUOTE	DWG#	F83661149-01

REV	DESCRIPTION	BT	DATE

KNOCKOUTS

SYMBOL	A	B	C	D	E	F	G
IN	.50	.75	1.00	1.25	1.50	2.00	2.50
MM	13	19	25	32	38	51	64



DUAL DIMENSIONS: INCHES MILLIMETERS

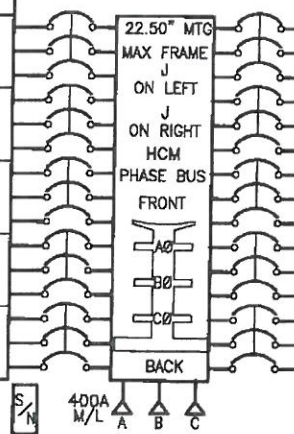
CATALOG NUMBER	MAXIMUM SYSTEM VOLTAGE	MAINS AMPERE RATING	SPACES	MAXIMUM NUMBER OF SINGLE POLE CIRCUITS	MAIN WIRE SIZE AWG AL/CU
Q0342L225G	208Y/120VAC 3Ø 4W 240/120VAC 3Ø 4W 240VAC 3Ø 3W	225	42	42	#4-300

NOTES:
 FINISH - GRAY BAKED ENAMEL ELECTRODEPOSITED OVER CLEANED PHOSPHATIZED STEEL.
 UL LISTED - FILE E-6294
 NEUTRALS - INSULATED GROUNDABLE.
 LOAD CENTERS WITH "G" IN CATALOG NUMBER INCLUDE A FIELD INSTALLABLE EQUIPMENT GROUND BAR KIT.

JOB NAME: MAINSTAY SUITES	EQUIPMENT DESIGNATION: F16
JOB LOCATION: HACKBERRY LA	EQUIPMENT TYPE:
DRAWN BY: (02C)	DRAWING TYPE:
ENGR:	
DATE: September 23 2016	
DRAWING STATUS: QUOTE	

REV	DESCRIPTION	BY	DATE				
-							

CKT NO	ACCESSORIES	TYPE	RATING AMP/P	PHASE BUS CONN	PHASE BUS CONN	RATING AMP/P	TYPE	ACCESSORIES	CKT NO
1		DP4	/3	ABC	ABC	60/3	FA		2
3		DP2	/3	ABC	ABC	/3	DP3		4
5		QB	175/3	ABC	ABC	/3	DP1		6
7		QB	175/3	ABC	ABC	175/3	QB		8
9		QB	175/3	ABC	ABC	175/3	QB		10



PHYSICAL DATA

ENCLOSURE Type 1
 Surface with Door
 FRONT CAT#: HCM64TSD
 BOX CAT#: HC3264B
 DIMENSIONS:
 64"H x 32"W x 8.25"D
 WIRE BENDING SPACE:
 TOP - 14.16
 BOTTOM - 18.40
 LEFT SIDE - 6.27
 RIGHT SIDE - 6.27

PBA: 402
 BUSSING: Copper
 Tin Plated

OPTIONAL FEATURES:
 ALUMINUM SOLID NEUTRAL
 ALUMINUM GROUND BAR

-----STANDARD EQUIPMENT NAMEPLATE-----

Engraved as Follows

LINE 1: P21

(Continued on next page.)

ELECTRICAL DATA

SYSTEM: 208Y/120V 3Ph 4W 60Hz
 System Ampacity: 400A
 10ka SYMS. SCCR
 MAIN: MAIN LUGS : 400A
 Bottom FEED
 INCOMING CONDUCTORS(S) PER NEC
 Wire Bending Space:
 (2) #4 - 600 kcmil

BRANCH MOUNTING TYPE: PLUG-ON

-----BRANCH SUMMATION-----

6 - 20A/1P QO DP4	6 - 20A/1P QO DP2
5 - 175A/3P QB	1 - 60A/3P FA
6 - 20A/1P QO DP3	6 - 20A/1P QO DP1


SERIES RATED 42KA ICS WHEN USED WITH 400A BREAKERS IN SWITCH

JOB NAME:	MAINSTAY SUITES	EQUIPMENT DESIGNATION:	P21
JOB LOCATION:	HACKBERRY LA	EQUIPMENT TYPE:	I-Line (Circuit Breaker Type) PANEL 1 OF 1
DRAWN BY:	(Q2C)	DRAWING TYPE:	ONE LINE DIAGRAM
ENGR:			
DATE:	September 23 2016		
DRAWING STATUS:	QUOTE	DWG#	038661649-01

REV	DESCRIPTION	BY	DATE	-	----	---	---/---/---	---	---/---/---
-	----	---	---/---/---	-	----	---	---/---/---	---	---/---/---

PHYSICAL DATA CONTINUED

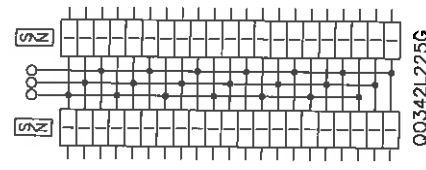
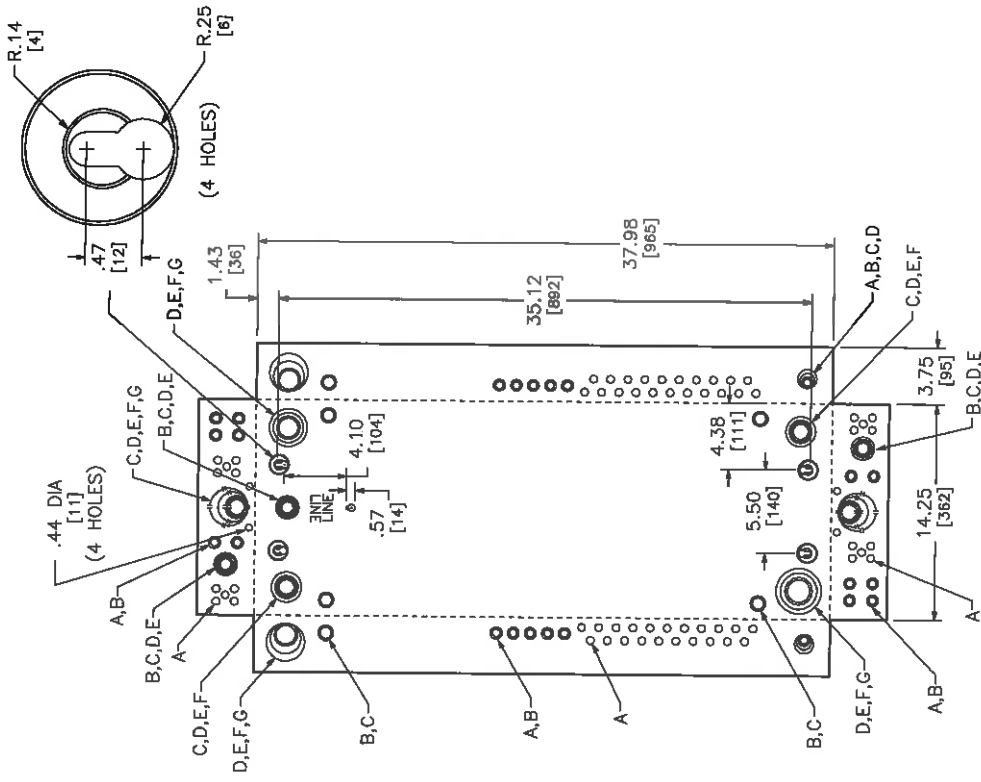
COLOR: Black Surface / White Letters
 SIZE: 3.50" Wide x 1.00" High (Std)
 TYPE: Plastic/Adhesive - Screw-on

JOB NAME:	MAINSTAY SUITES	EQUIPMENT DESIGNATION:	P21
JOB LOCATION:	HACKBERRY LA	EQUIPMENT TYPE:	I-Line (Circuit Breaker Type) PANEL 1 OF 1
DRAWN BY:	(Q2C)	DRAWING TYPE:	ONE LINE DIAGRAM
ENGR:			
DATE:	September 23 2016		
DRAWING STATUS:	QUOTE	DWG# 038661649-01	PG 2 OF 2 REV -

REV	DESCRIPTION	BT	DATE

KNOCKOUTS

SYMBOL	A	B	C	D	E	F	G
IN	.50	.75	1.00	1.25	1.50	2.00	2.50
MM	13	19	25	32	38	51	64



DUAL DIMENSIONS: INCHES MILLIMETERS

CATALOG NUMBER	MAXIMUM SYSTEM VOLTAGE	MAINS AMPERE RATING	SPACES	MAXIMUM NUMBER OF SINGLE POLE CIRCUITS	MAIN WIRE SIZE AWG AL/CU
Q0342L225G	208Y/120VAC 3Ø 4W 240/120VAC 3Ø 4W 240VAC 3Ø 3W	225	42	42	#4-300

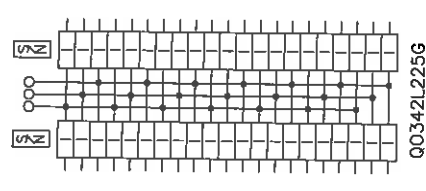
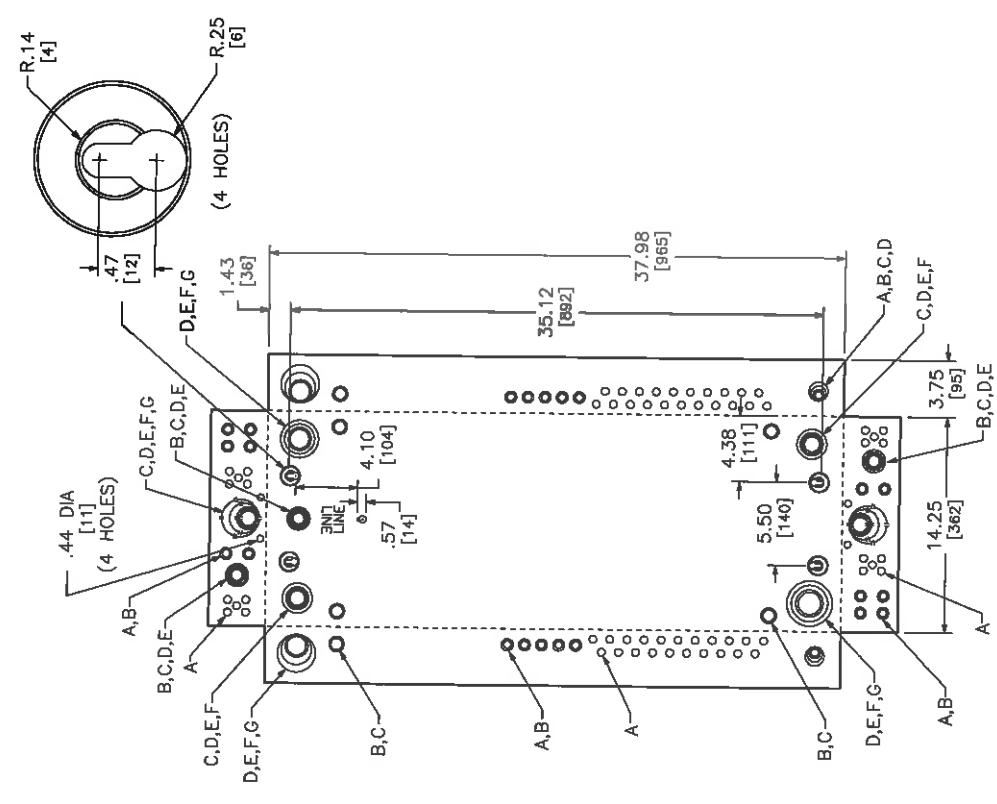
NOTES:
 FINISH - GRAY BAKED ENAMEL ELECTRODEPOSITED OVER CLEANED PHOSPHATIZED STEEL.
 UL LISTED - FILE E-6294
 NEUTRALS - INSULATED GROUNDABLE.
 LOAD CENTERS WITH "G" IN CATALOG NUMBER INCLUDE A FIELD INSTALLABLE EQUIPMENT GROUND BAR KIT.

JOB NAME:	MAINSTAY SUITES
JOB LOCATION:	HACKBERRY LA
DRAWN BY:	(02C)
ENGINEER:	
DATE:	September 23, 2016
DRAWING STATUS:	QUOTE
DWG#	F30661649-01
PG	OF
REV	

REV	DESCRIPTION	BY	DATE

KNOCKOUTS

SYMBOL	A	B	C	D	E	F	G
IN	.50	.75	1.00	1.25	1.50	2.00	2.50
MM	13	19	25	32	38	51	64



DUAL DIMENSIONS: INCHES MILLIMETERS

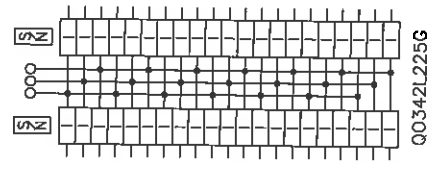
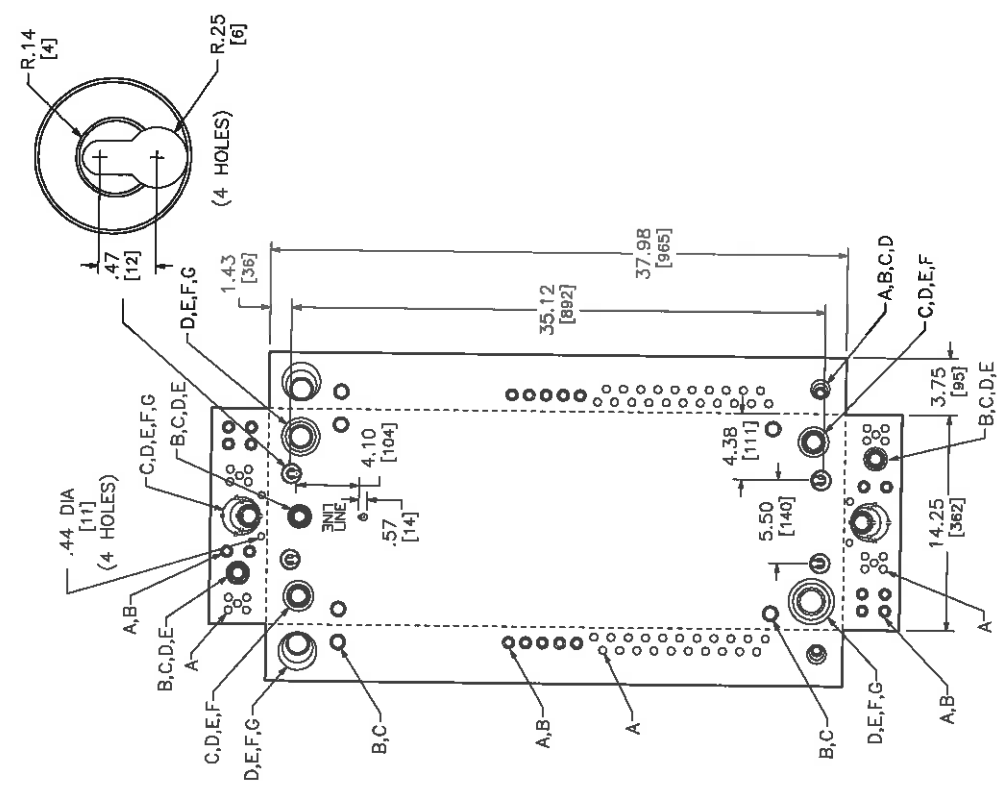
CATALOG NUMBER	MAXIMUM SYSTEM VOLTAGE	MAINS AMPERE RATING	SPACES	MAXIMUM NUMBER OF SINGLE POLE CIRCUITS	MAIN WIRE SIZE AWG AL/CU
QO342L225G	208Y/120VAC 3Ø 4W 240/120VAC 3Ø 4W 240VAC 3Ø 3W	225	42	42	#4-300

NOTES:
 FINISH - GRAY BAKED ENAMEL ELECTRODEPOSITED OVER CLEANED PHOSPHATIZED STEEL.
 UL LISTED - FILE E-6294
 NEUTRALS - INSULATED GROUNDABLE.
 LOAD CENTERS WITH "G" IN CATALOG NUMBER INCLUDE A FIELD INSTALLABLE EQUIPMENT GROUND BAR KIT.

JOB NAME: MAINSTAY SUITES	EQUIPMENT DESIGNATION: F25
JOB LOCATION: HACKBERRY LA	EQUIPMENT TYPE:
DRAWN BY: (U2C)	DRAWING TYPE:
ENGR:	
DATE: September 23, 2016	
DRAWING STATUS: QUOTE	
DWG# F35061649-01	PG 1 OF 1 REV -

REV	DESCRIPTION	BY	DATE

KNOCKOUTS							
SYMBOL	A	B	C	D	E	F	G
IN	.50	.75	1.00	1.25	1.50	2.00	2.50
MM	13	19	25	32	38	51	64

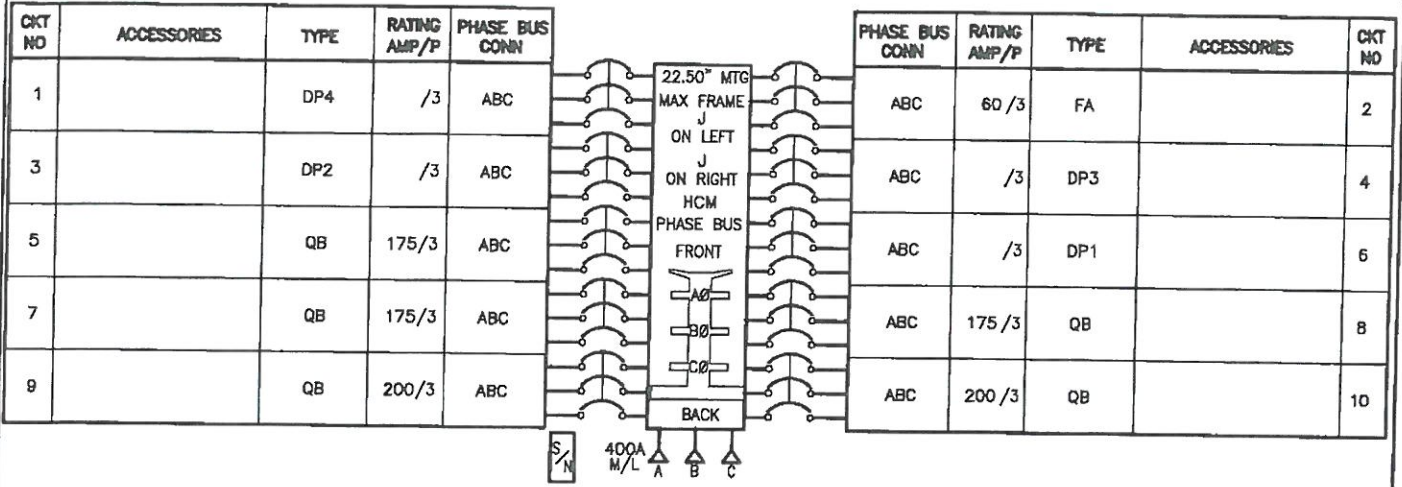


CATALOG NUMBER	MAXIMUM SYSTEM VOLTAGE	MAINS AMPERE RATING	SPACES	MAXIMUM NUMBER OF SINGLE POLE CIRCUITS	DUAL DIMENSIONS:	
					INCHES	MILLIMETERS
Q0342L225G	208Y/120VAC 3Ø 4W 240/120VAC 3Ø 4W 240VAC 3Ø 3W	225	42	42		#4-300

JOB NAME:	MAINSTAY SUITES	
JOB LOCATION:	HACKBERRY LA	
DRAWN BY:	(02C)	
ENGR:		
DATE:	September 23, 2016	
DRAWING STATUS:	QUOTE	
EQUIPMENT DESIGNATION: F23		
EQUIPMENT TYPE:		
DRAWING TYPE:		
DWG# F38681648-01		
PG	OF	REV

NOTES:
 FINISH - GRAY BAKED ENAMEL ELECTRODEPOSITED OVER CLEANED PHOSPHATIZED STEEL.
 UL LISTED - FILE E-6294
 NEUTRALS - INSULATED GROUNDABLE
 LOAD CENTERS WITH "G" IN CATALOG NUMBER INCLUDE A FIELD INSTALLABLE EQUIPMENT GROUND BAR KIT.

REV	DESCRIPTION	BY	DATE	---	---	---	---
---	---	---	---	---	---	---	---



PHYSICAL DATA

ENCLOSURE Type 1
 Surface with Door
 FRONT CAT#: HCM64TSD
 BOX CAT#: HC3264B
 DIMENSIONS:
 64"H x 32"W x 8.25"D
 WIRE BENDING SPACE:
 TOP - 14.16
 BOTTOM - 18.40
 LEFT SIDE - 6.27
 RIGHT SIDE - 6.27

PBA: 402
 BUSSING: Copper
 Tin Plated
 OPTIONAL FEATURES:
 ALUMINUM SOLID NEUTRAL
 ALUMINUM GROUND BAR

-----STANDARD EQUIPMENT NAMEPLATE-----

Engraved as Follows
 LINE 1: F31
 (Continued on next page.)

ELECTRICAL DATA

SYSTEM: 208Y/120V 3Ph 4W 60Hz
 System Ampacity: 400A
 10kA SYMS. SCCR
 MAIN: MAIN LUGS : 400A
 Bottom FEED
 INCOMING CONDUCTOR(S) PER NEC
 Wire Bending Space:
 (2) #4 - 600 kcmil

BRANCH MOUNTING TYPE: PLUG-ON

-----BRANCH SUMMATION-----	
6 - 20A/1P QO DP4	6 - 20A/1P QO DP2
3 - 175A/3P QB	2 - 200A/3P QB
1 - 60A/3P FA	6 - 20A/1P QO DP3
6 - 20A/1P QO DP1	


SERIES RATED 42KAIC WHEN USED WITH 400A BREAKER IN SWITCHBOARD

JOB NAME: MAINSTAY SUITES	EQUIPMENT DESIGNATION: F31
JOB LOCATION: HACKBERRY LA	EQUIPMENT TYPE: I-Line (Circuit Breaker Type) PANEL 1 OF 1
DRAWN BY: (Q2C)	DRAWING TYPE: ONE LINE DIAGRAM
ENGR:	
DATE: September 23 2016	
DRAWING STATUS: QUOTE	DWG# 038661649-01

REV	DESCRIPTION	BY	DATE	-	----	--	---/---/---
-	----	--	---/---/---	-	----	--	---/---/---

PHYSICAL DATA CONTINUED

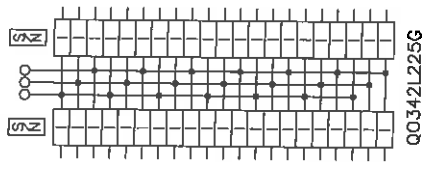
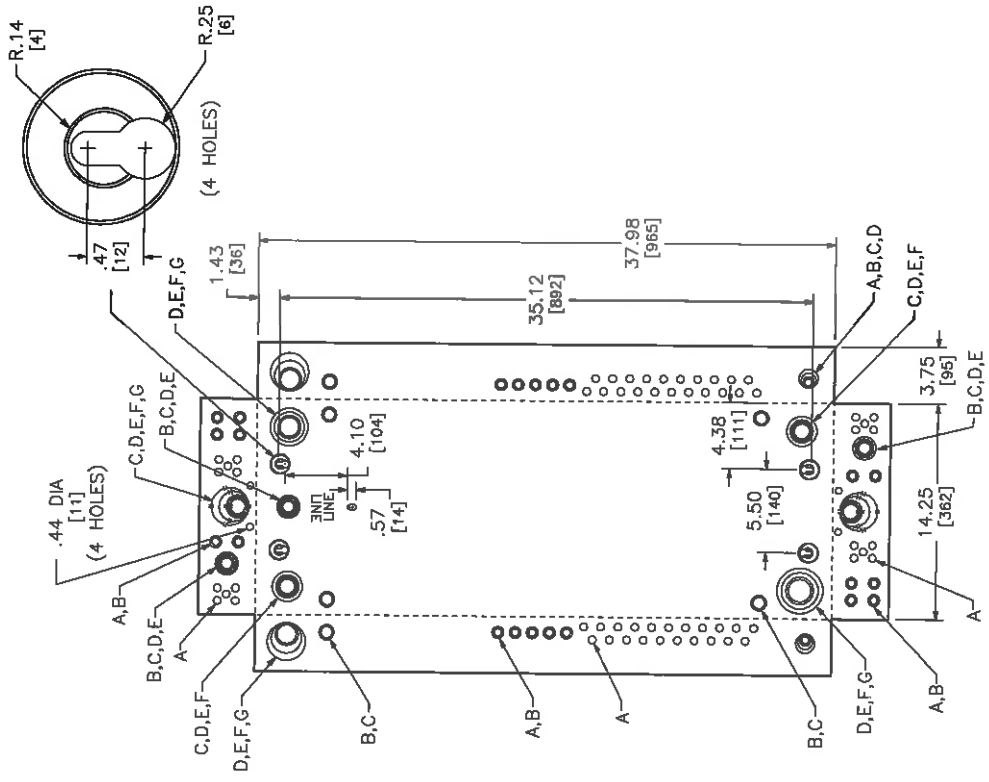
COLOR: Black Surface / White Letters
 SIZE: 3.50" Wide x 1.00" High (Std)
 TYPE: Plastic/Adhesive - Screw-on

JOB NAME:	MAINSTAY SUITES	EQUIPMENT DESIGNATION:	F31
JOB LOCATION:	HACKBERRY LA	EQUIPMENT TYPE:	I-Line (Circuit Breaker Type) PANEL 1 OF 1
DRAWN BY:	(Q2C)	DRAWING TYPE:	ONE LINE DIAGRAM
ENGR:			
DATE:	September 23 2016		
DRAWING STATUS:	QUOTE	DWG# 038661649-01	PG 2 OF 2 REV -

REV	DESCRIPTION	BY	DATE	REV	DESCRIPTION	BY	DATE

KNOCKOUTS

SYMBOL	A	B	C	D	E	F	G
IN	.50	.75	1.00	1.25	1.50	2.00	2.50
MM	13	19	25	32	38	51	64



DUAL DIMENSIONS: INCHES MILLIMETERS

CATALOG NUMBER	MAXIMUM SYSTEM VOLTAGE	MAINS AMPERE RATING	SPACES	MAXIMUM NUMBER OF SINGLE POLE CIRCUITS	MAIN WIRE SIZE AWG/ CU
Q0342L225G	20BY/120VAC 3Ø 4W 24D/120VAC 3Ø 4W 240VAC 3Ø 3W	225	42	42	#4-300

NOTES: FINISH - GRAY BAKED ENAMEL ELECTRODEPOSITED OVER CLEANED PHOSPHATIZED STEEL.
UL LISTED - FILE E-6294
NEUTRALS - INSULATED GROUNDABLE.
LOAD CENTERS WITH "G" IN CATALOG NUMBER INCLUDE A FIELD INSTALLABLE EQUIPMENT GROUND BAR KIT.

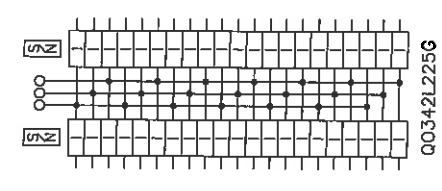
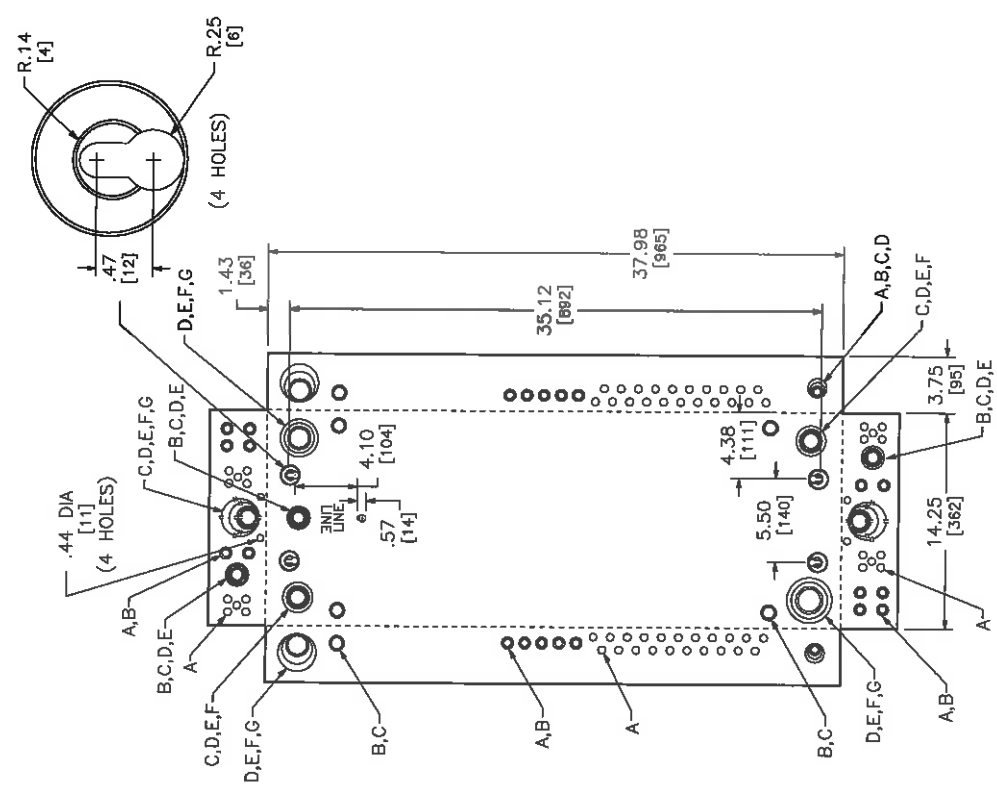
JOB NAME:	MAINSTAY SUITES	EQUIPMENT DESIGNATION:	F34
JOB LOCATION:	HACKBERRY LA	EQUIPMENT TYPE:	
DRAWN BY:	(020)	DRAWING TYPE:	
ENGR:			
DATE:	September 23 2016		
DRAWING STATUS:	QUOTE		

PG 1 OF 1 REV -

REV	DESCRIPTION	BY	DATE	REV	DESCRIPTION	BY	DATE

Knockouts

SYMBOL	A	B	C	D	E	F	G
IN	.50	.75	1.00	1.25	1.50	2.00	2.50
MM	13	19	25	32	38	51	64



DUAL DIMENSIONS: INCHES MILLIMETERS

CATALOG NUMBER	MAXIMUM SYSTEM VOLTAGE	MAINS AMPERE RATING	SPACES	MAXIMUM NUMBER OF SINGLE POLE CIRCUITS	MAIN WIRE SIZE AWG AL/CU
00342L225G	208Y/120VAC 3Ø 4W 240/120VAC 3Ø 4W 240VAC 3Ø 3W	225	42	42	#4-300

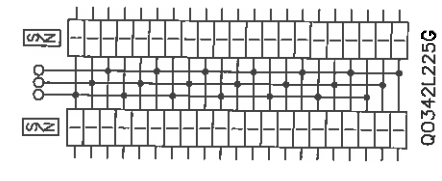
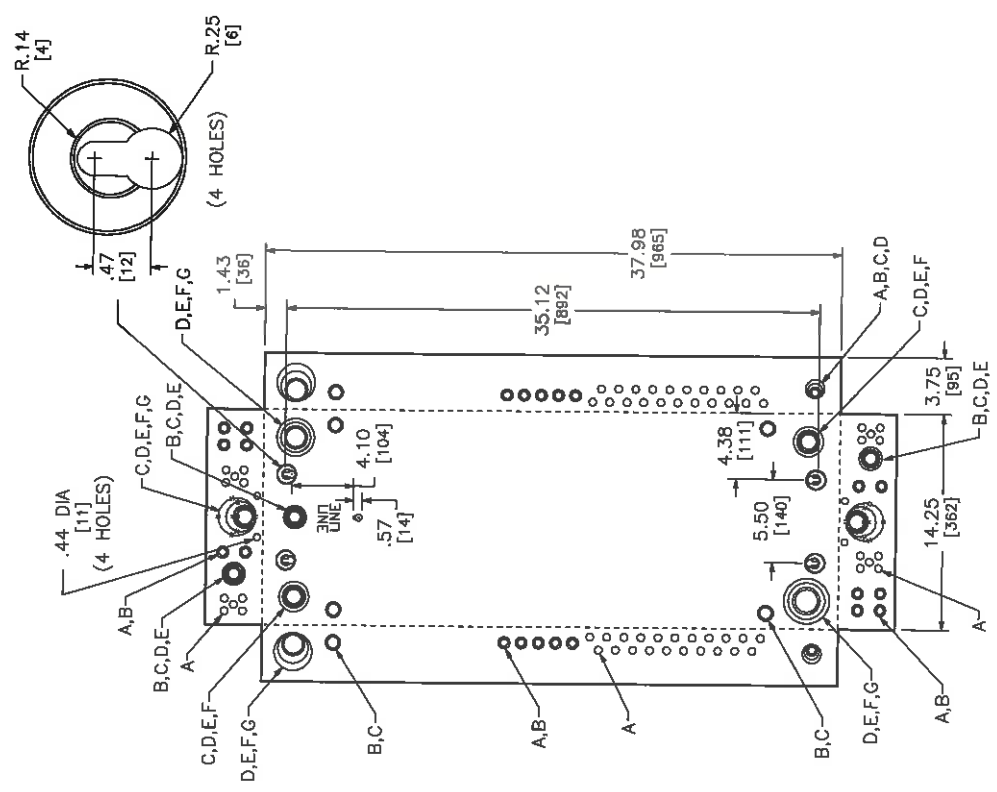
NOTES:
 FINISH - GRAY BAKED ENAMEL ELECTRODEPOSITED OVER CLEANED PHOSPHATIZED STEEL.
 UL LISTED - FILE E-6294
 NEUTRALS - INSULATED GROUNDABLE.
 LOAD CENTERS WITH "G" IN CATALOG NUMBER INCLUDE A FIELD INSTALLABLE EQUIPMENT GROUND BAR KIT.

JOB NAME:	MAINSTAY SUITES
JOB LOCATION:	HACKBERRY, LA
DRAWN BY:	(92C)
ENGR:	
DATE:	September 23, 2016
DRAWING STATUS:	QUOTE

EQUIPMENT DESIGNATION: F35
 EQUIPMENT TYPE:
 DRAWING TYPE:
 DWG# F35651(48-0) PG 1 OF 1 REV -

REV	DESCRIPTION	BT	DATE

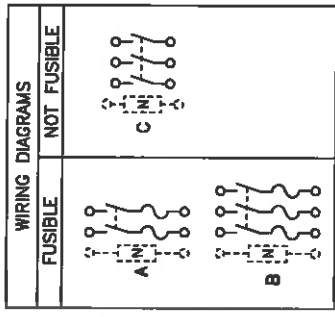
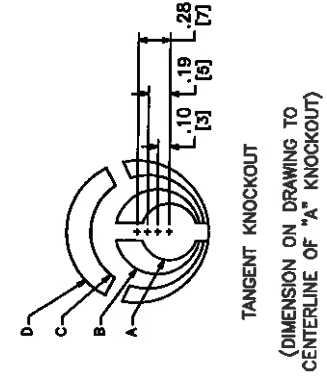
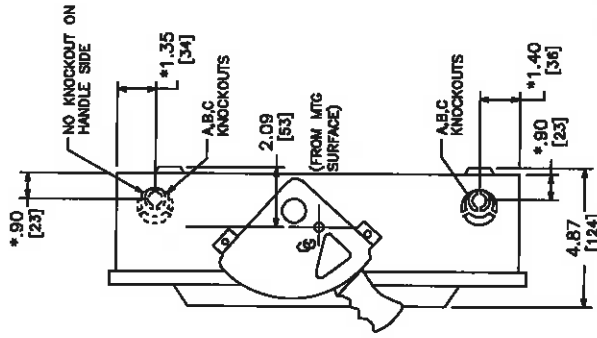
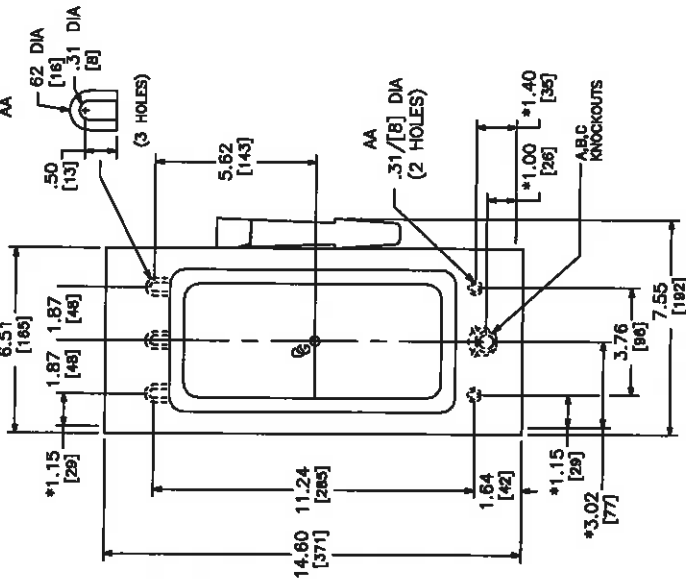
KNOCKOUTS							
SYMBOL	A	B	C	D	E	F	G
IN	.50	.75	1.00	1.25	1.50	2.00	2.50
MM	13	19	25	32	38	51	64



CATALOG NUMBER	MAXIMUM SYSTEM VOLTAGE	MAINS AMPERE RATING	SPACES	MAXIMUM NUMBER OF SINGLE POLE CIRCUITS	DUAL DIMENSIONS:	
					INCHES	MILLIMETERS
00342L225G	208Y/120VAC 3Ø 4W 240/120VAC 3Ø 4W 240VAC 3Ø 3W	225	42	42		
					MAIN WIRE SIZE AWG	#4-300
					AL/CU	

NOTES:
 FINISH - GRAY BAKED ENAMEL ELECTRODEPOSITED OVER CLEANED PHOSPHATIZED STEEL.
 UL LISTED - FILE E-6294
 NEUTRALS - INSULATED GROUNDABLE.
 LOAD CENTERS WITH "G" IN CATALOG NUMBER INCLUDE A FIELD INSTALLABLE EQUIPMENT GROUND BAR KIT.

JOB NAME:	MAINSTAY SUITES
JOB LOCATION:	HACKBERRY LA
DRAWN BY:	(22C)
ENGR:	
DATE:	September 23, 2016
DRAWING STATUS:	QUOTE
EQUIPMENT DESIGNATION:	F36
EQUIPMENT TYPE:	
DRAWING TYPE:	
DWG #	F36661249-01
PG	1
OF	1
REV	



TERMINAL LUGS			
AMPERES	MAX WIRE	MIN WIRE	TYPE
30	#6 AWG	#14 AWG	AL OR CU

SYMBOL	CONDUIT SIZE		DIAMETER
	IN	MM	
A	.50	13	.86 22
B	.75	19	1.13 29
C	1.00	25	1.38 35
D	1.25	32	1.75 44

NEMA TYPE 1

SEISMIC NOTES:
 USE (4) 1/4" DIA GRADE 5 STEEL MOUNTING BOLTS @ HOLES AA
 MAX CONFIGURED WEIGHT TO LB FOR THE PURPOSE OF DETERMINING
 SEISMIC ANCHORAGE REQUIREMENTS. FOR ALL OTHER APPLICATIONS,
 CONTACT SQUARE D COMPANY.

*DIMENSIONS TO BOX (NOT COVER)

CATALOG NUMBER	VOLTAGE RATINGS	AMPERAGE RATINGS	WIRING DIAG	HORSEPOWER RATINGS														
				240VAC			480VAC			600VAC			800VDC					
				STD	1#	3#	STD	1#	3#	STD	1#	3#	STD	1#	3#			
H221N	240VAC, 250VDC	30	A	1 1/2	3	7 1/2	-	-	-	-	-	-	-	-	-	-	-	-
H321N	240VAC, 250VDC	30	B	1 1/2	3	7 1/2	-	-	-	-	-	-	-	-	-	-	-	-
H361	600VAC, 600VDC	30	B	-	-	-	3	5	7 1/2	15	-	-	-	-	-	-	-	-
H361N	600VAC, 600VDC	30	B	-	-	-	3	5	7 1/2	15	-	-	-	-	-	-	-	-
HU361	600VAC, 600VDC	30	C	-	-	-	5	7 1/2	15	-	-	-	-	-	-	-	-	-
HU361EI	600VAC, 600VDC	30	C	-	-	-	5	10	20	-	-	-	-	-	-	-	-	-

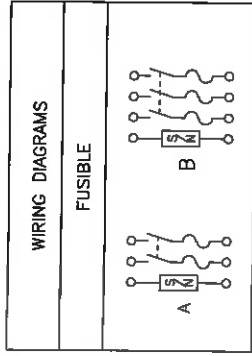
NOTES:
 UL LISTED - E2875
 FINISH - GRAY BAKED ENAMEL
 ALL NEUTRALS - INSULATED
 ▲ USE BOTH OUTER SWITCHING POLES
 ● USE BOTH SWITCHING POLES
 ■ IF CORNER GROUNDED DELTA, INSTALL NEUTRAL AND USE OUTER SWITCHING POLES FOR UNGROUNDED DELTA ONLY.
 † FOR CORNER GROUNDED DELTA ONLY, USE OUTER SWITCHING POLES FOR UNGROUNDED CONDUCTORS.



Schneider Electric

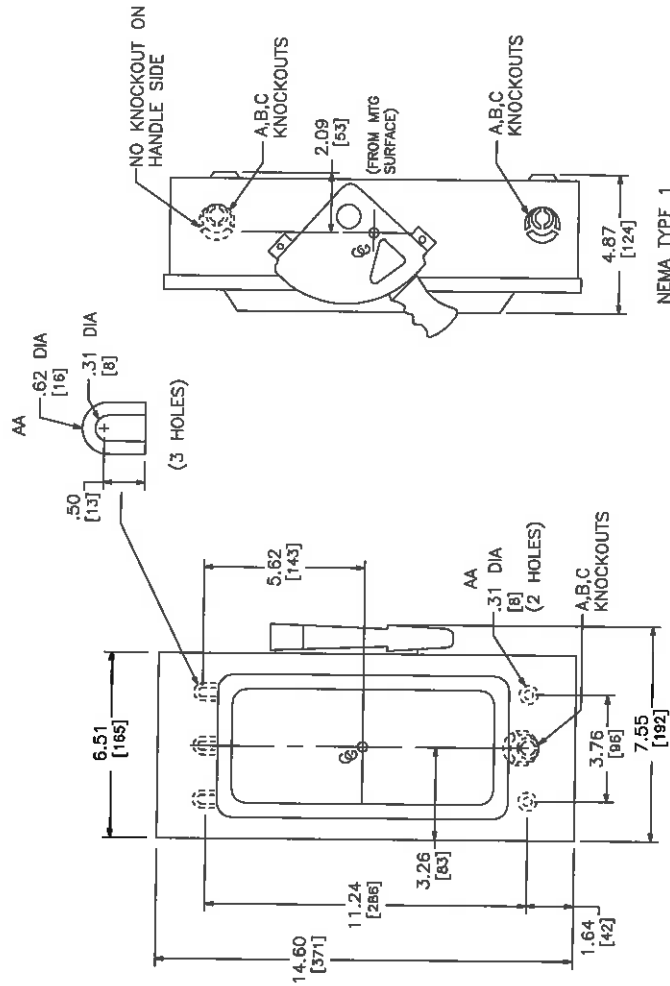
HEAVY DUTY SAFETY SWITCHES - SEISMIC
 VISIBLY SIDE TYPE
 30 AMPERE
 ENCLOSURE - NEMA TYPE 1 GENERAL PURPOSE

REV# 2228S
 INC.

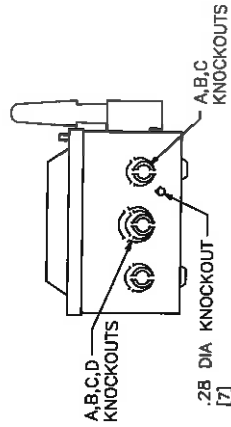


TERMINAL LUGS			
AMPERES	MAX. WIRE #	MIN. WIRE #	TYPE
60	3	14	AWG CU OR AL

SYMBOL	CONDUIT SIZE		DIAMETER	
	IN	MM	IN	MM
A	.50	13	.88	22
B	.75	19	1.13	28
C	1.00	25	1.38	35
D	1.25	32	1.75	44



NEMA TYPE 1



SEISMIC NOTES:
 USE (4) 1/4" DIA GRADE 5 STEEL MOUNTING BOLTS @ HOLES AA
 MAX CONFIGURED WEIGHT 10 LB FOR THE PURPOSE OF DETERMINING
 SEISMIC ANCHORAGE REQUIREMENTS. FOR ALL OTHER APPLICATIONS,
 CONTACT SQUARE D COMPANY.

DUAL DIMENSIONS: INCHES
 MILLIMETERS

CATALOG NUMBER	VOLTAGE RATINGS	AMPERAGE RATINGS	WIRING DIAG	HORSEPOWER RATINGS			
				240VAC		250 VDC	
				STD.	MAX.		
H222N	240VAC;250VDC	60	A	1PH	3PH	1PH	3PH
H322N	240VAC;250VDC	60	B	3▲	7 1/2▲	10▲	15 10▲
				3▲	7 1/2▲	10▲	15 10▲

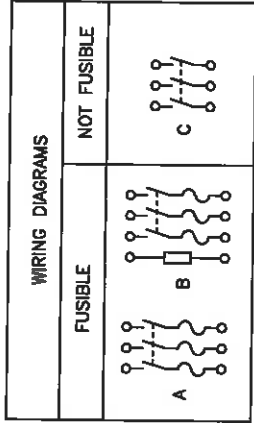
NOTES:
 UNFINISHED - E2875
 FINISH GRAY BAKED ENAMEL
 ALL NEUTRALS INSULATED
 WHEN MOUNTING THESE SWITCHES, ALLOW 3.00/[76] MIN CLEARANCE
 BETWEEN ENCLOSURES FOR OPENING OF SIDE HINGED DOOR.
 ▲ USE BOTH OUTER SWITCHING POLES
 ● IF CORNER GROUNDED DELTA, INSTALL NEUTRAL AND USE OUTER SWITCHING POLES FOR UNDERGROUND CONDUCTORS.

HEAVY DUTY SAFETY SWITCHES - SEISMIC
 VISIBLE BLADE TYPE
 60 AMPERE
 ENCLOSURE - NEMA TYPE 1



SQUARE D COMPANY

DMS# 3002S

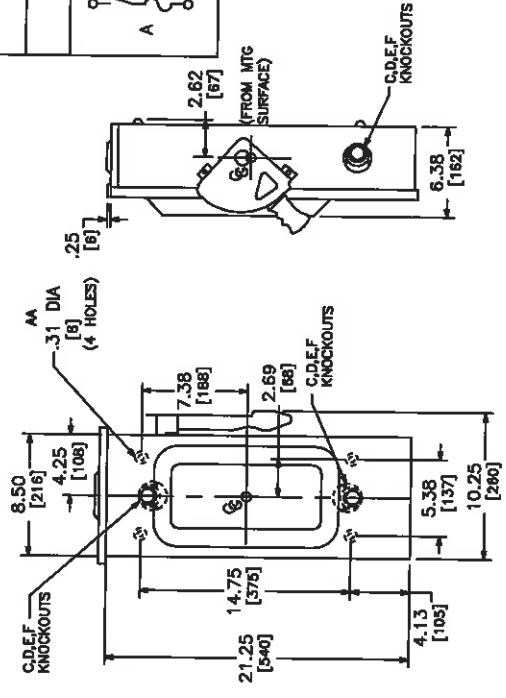


TERMINAL LUGS #

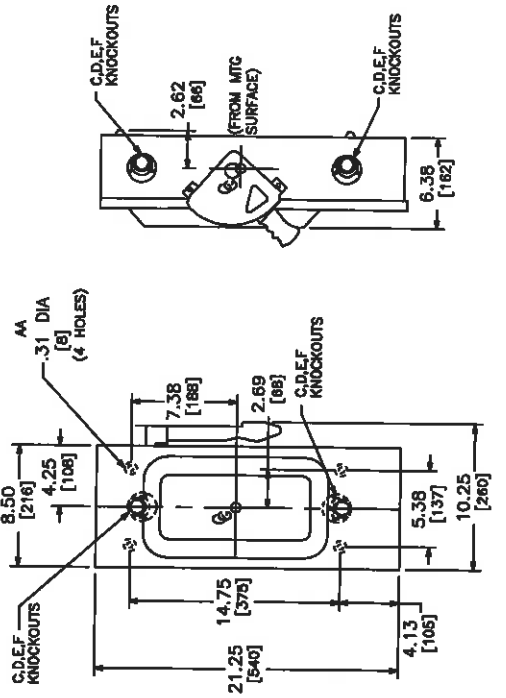
AMPERES	MAX. WIRE #	MIN. WIRE #	WIRE TYPE
100	#1/0 AWG	#12 AWG	AL
	#1/0 AWG	#14 AWG	CU

KNOCKOUTS

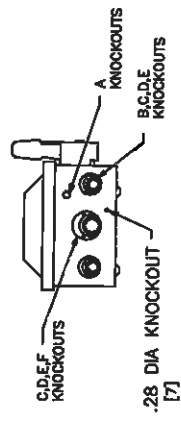
SYMBOL	CONDUIT SIZE		DIAMETER	
	IN	MM	IN	MM
A	.50	13	.88	22
B	.75	19	1.13	29
C	1.00	25	1.56	35
D	1.25	32	1.75	45
E	1.50	38	2.00	51
F	2.00	51	2.50	64



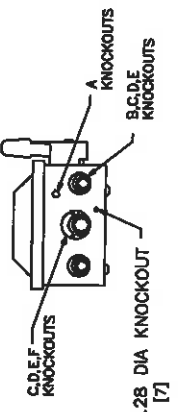
NEMA TYPE 3R ▲



NEMA TYPE 1



.28 DIA KNOCKOUT [7]



.28 DIA KNOCKOUT [7]

DUAL DIMENSIONS: INCHES MILLIMETERS

CATALOG NUMBER	VOLTAGE RATINGS	WIRING DIAG	HORSEPOWER RATINGS					
			250VAC		480VAC		600VAC	
			STD	MAX	STD	MAX	STD	MAX
H323N	240VAC	B	30	30	30	30	10	30
H323NRB	600VAC/600VDC	A	15	30	30	30	10	30
H353R	600VAC/600VDC	A	15	30	30	30	10	30
H353RB	600VAC/600VDC	B	15	30	30	30	10	30
H363N	600VAC	C	15	30	30	30	10	30
H363NRB	600VAC	C	15	30	30	30	10	30
H383	600VAC/600VDC	C	15	30	30	30	10	30
H383RB	600VAC/600VDC	C	15	30	30	30	10	30

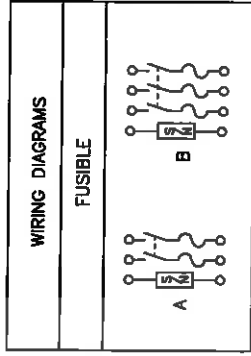
SEISMIC NOTES:
 USE (4) 1/4" DIA GRADE 5 STEEL MOUNTING BOLTS @ HOLES AA
 MAX CONFIGURED WEIGHT 22 LB FOR THE PURPOSE OF DETERMINING
 SEISMIC ANCHORAGE REQUIREMENTS. FOR ALL OTHER APPLICATIONS,
 CONTACT SQUARE D COMPANY.

NOTES:
 FINISH - GRAY BAKED ENAMEL.
 UL LISTED - FILE E-2875
 ALL NEUTRALS - INSULATED GROUNDABLE
 SUITABLE FOR USE AS SERVICE EQUIPMENT
 SHORT CIRCUIT CURRENT RATINGS:
 10,000 AMPERES WITH CLASS H OR K FUSES
 200,000 AMPERES WITH CLASS R FUSES HAVING CLASS R REJECTION KITS OR CLASS J FUSES.
 WHEN MOUNTING THESE SWITCHES, ALLOW 4.00/[102] MIN. CLEARANCE
 BETWEEN ENCLOSURES FOR OPENING OF SIDE HINGED DOOR.
 A NEMA 1TYR 3R SWITCHES HAVE PROVISIONS FOR MAXIMUM 2.50/[64] BOLT-ON B-HUB.
 † LUGS SUITABLE FOR 60°C OR 75°C COPPER OR ALUMINUM CONDUCTORS.

HEAVY DUTY SAFETY SWITCHES - SEISMIC
VISIBLE BLADE TYPE
 100 AMPERE
 ENCLOSURE - NEMA TYPE 3R RAINPROOF
 GENERAL PURPOSE
 NEMA TYPE 3R RAINPROOF

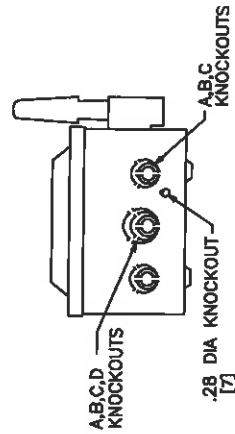
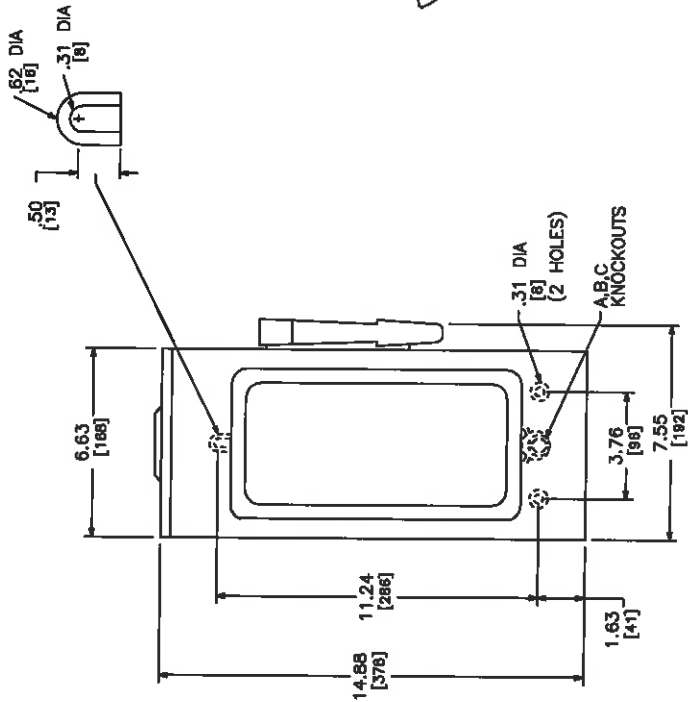
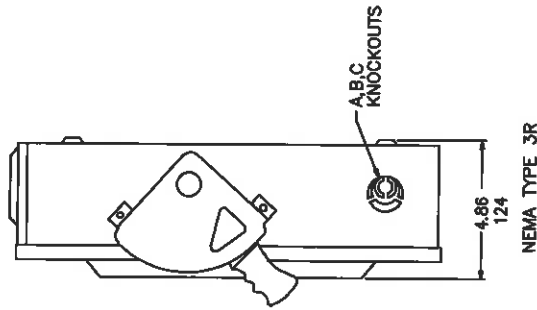


IMP# 1905S



TERMINAL LUGS			
AMPERES	MAX. WIRE	MIN. WIRE	TYPE
60	#3 AWG	#14 AWG	CU
60	#5 AWG	#12 AWG	AL

SYMBOL	CONDUIT SIZE		DIAMETER	
	IN	MM	IN	MM
A	.50	13	.88	22
B	.75	19	1.13	29
C	1.00	25	1.38	35
D	1.25	32	1.75	44



DUAL DIMENSIONS: INCHES
MILLIMETERS

CATALOG NUMBER	VOLTAGE RATINGS	AMPERAGE RATINGS	WIRING DIAG.	HORSEPOWER RATINGS				
				240VAC		250 VDC		
				STD.	MAX.	1PH	3PH	
H222NRB	240VAC:250VDC	60	A	3 ▲	7 1/2●	10▲	15 ●	10▲
H322NRB	240VAC:250VDC	60	B	3 ▲	7 1/2●	10▲	15 ●	10▲

NOTES:
 UL LISTED - E2875
 FINISH - GRAY BAKED ENAMEL
 ALL NEUTRALS - INSULATED GROUNDABLE
 WHEN MOUNTING THESE SWITCHES, ALLOW 3.00 IN / 76 MM MIN. CLEARANCE BETWEEN ENCLOSURES FOR OPENING OF SIDE HINGED DOOR.
 ▲ USE BOTH OUTER SWITCHING POLES
 ● F CORNER GROUNDED DELTA, INSTALL NEUTRAL AND USE OUTER SWITCHING POLES FOR UNGROUNDED CONDUCTORS.

HEAVY DUTY SAFETY SWITCHES
 VISIBLE BLADE TYPE
 60 AMPERE
 ENCLOSURE - NEMA TYPE 3R



Schneider Electric

REV 3003 INC.