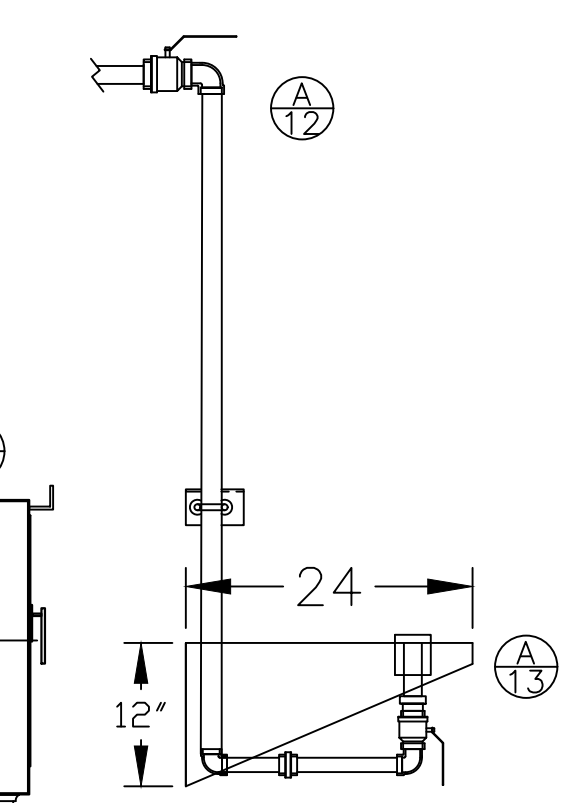


SLOTTED SADDLE BASE



SIDE ELEVATION

CONTENTS OF TANK

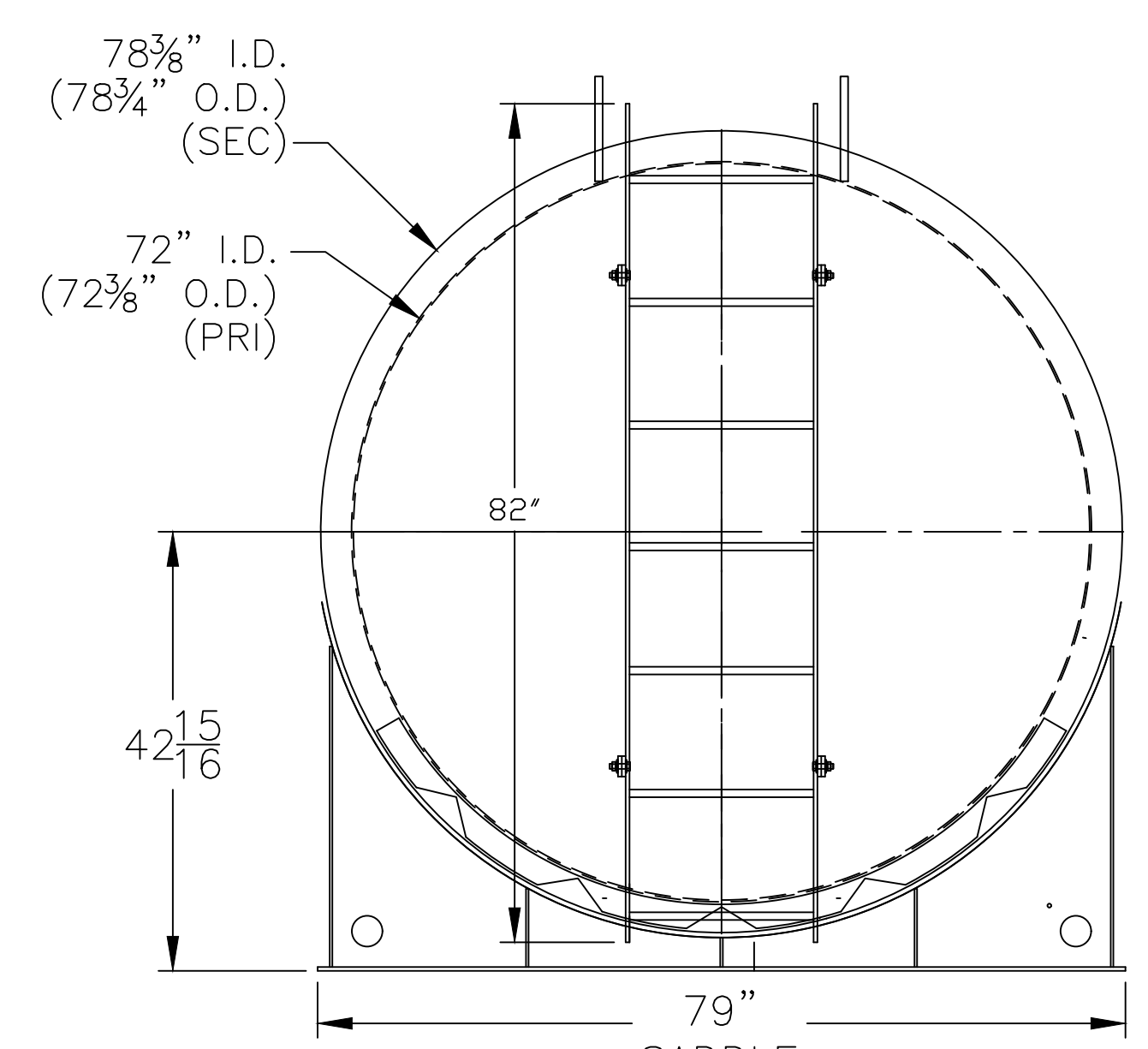
**APPROVAL DRAWING**  
NOT FOR FABRICATION

APPROVED AS SUBMITTED  
 APPROVED AS MARKED  
 CHANGE AND RE-SUBMIT FOR APPROVAL

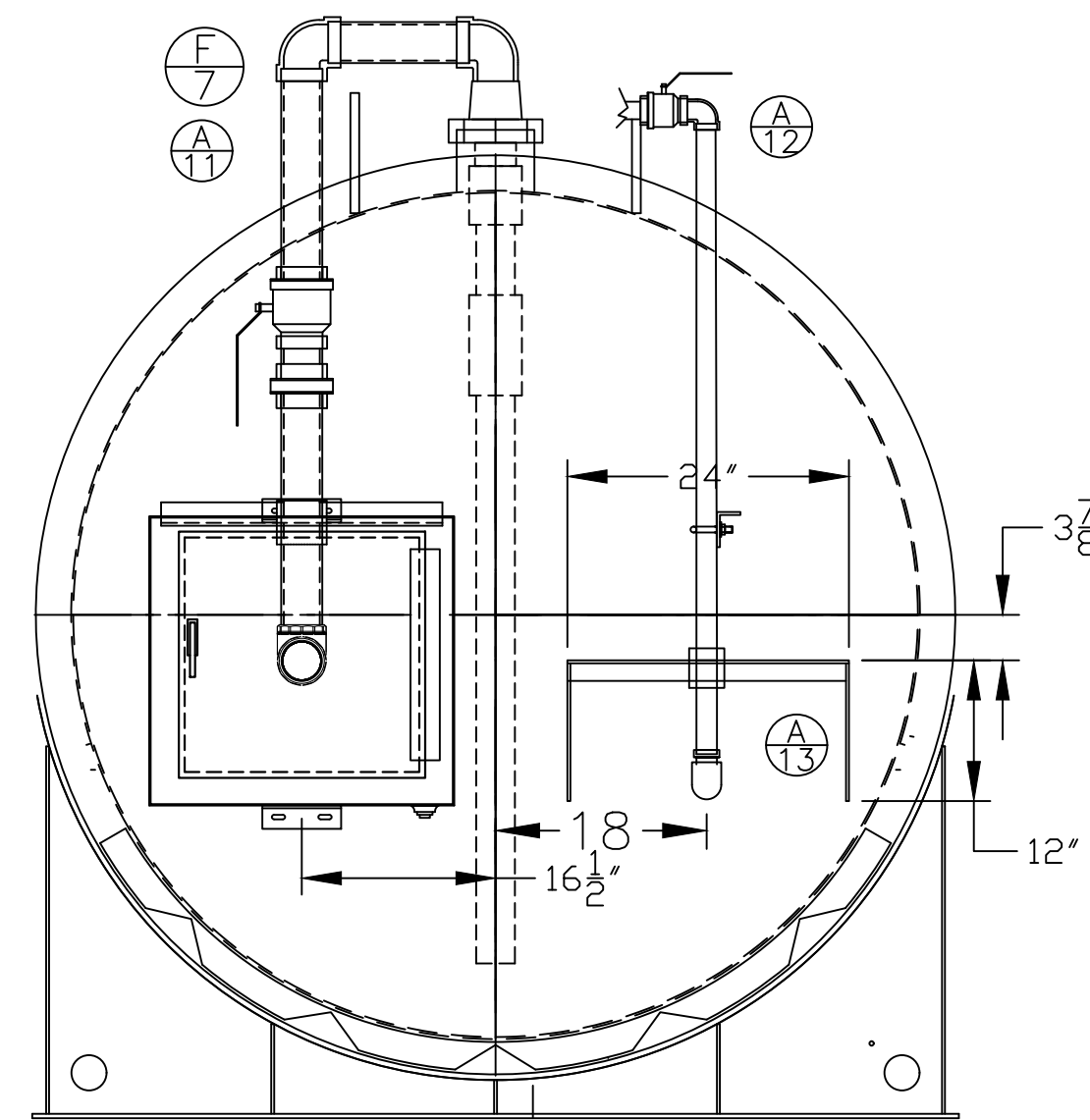
\_\_\_\_\_  
SIGNATURE

\_\_\_\_\_  
DATE

AS INDICATED ABOVE, THE BUYER APPROVES THE PRODUCT DESIGN PRESENTED IN THIS DRAWING AND AGREES TO THE TERMS AND CONDITIONS IN THE SALES ORDER PROVIDED FOR THIS PRODUCT.



LADDER END VIEW



PIPING END VIEW

NOTES:

- TANK IS TO BE FABRICATED IN ACCORDANCE WITH UL 2085 (FIREGUARD) SPECIFICATIONS. ATTACH LABELS.
- AFTER COMPLETING PRIMARY TANK, TEST WITH 3 TO 5 PSIG AIR PRESSURE AND APPLY A LEAK DETECTION SOLUTION TO ALL WELDS. REPAIR ANY LEAKS AND RE-TEST.
- AFTER TESTING PRIMARY TANK, COMPLETE SECONDARY TANK AND APPLY 3 TO 5 PSIG MAXIMUM AIR PRESSURE TO PRIMARY TANK. RELEASE 3 TO 5 PSIG AIR PRESSURE INTO INTERSTICE FROM PRIMARY TANK. MAINTAIN PRESSURE AND APPLY A LEAK DETECTION SOLUTION TO ALL WELDS. REPAIR ANY LEAKS AND RE-TEST.
- AFTER PERLITE IS PUMPED INTO INTERSTICE, PLUG MUST BE SEAL WELDED.
- TANK EXTERIOR IS TO BE SANDBLASTED & PAINTED WHITE (6-8 TOTAL MILS).

BILL OF MATERIALS

PRIMARY HEADS & SHELLS		
MARK	QTY:	DESCRIPTION
A1	2	3/8" X 75" CIRCLES (HEADS)
S1	4	7 GA SHEETS 72" WIDE x 227" LG
SECONDARY HEADS & SHELLS		
MARK	QTY:	DESCRIPTION
A2	2	3/8" X 87" CIRCLES
S2	5	7 GA. SHEETS 60" WIDE x 247" LG
FITTINGS		
MARK	QTY:	DESCRIPTION
F1	1	8" T.O.E. NIPPLE w/ 8" E. VENT 8oz C&B# 0366-03-80HF (PRI)
F2	1	8" T.O.E. NIPPLE w/ 8" E. VENT 8oz C&B# 0366-03-80HF (SEC)
F3	5	2" x 9" T.O.E NIPPLES WILL HAVE WELD SEAM
F4	2	4" x 9" T.O.E NIPPLES WILL HAVE WELD SEAM
F5	2	4" FNPT TANK FLANGES w/ PLUG (PERLITE VENTS)
F6	1	2" FNPT TANK FLANGES w/ STEEL CAP SEAL WELDED
F7	2	6" x 9" T.O.E NIPPLES WILL HAVE WELD SEAM
ATTACHMENTS		
MARK	QTY:	DESCRIPTION
A1	1	2" SCH 40 PIPE 76 1/2" LG w/ 2" FULL COUP (MONITOR WELL)
A2	2	UL SADDLES (REF DWG# FG-78-1 FOR CONSTRUCTION)
A3	4	FIREGUARD LIFT LUG 10" x 16" x 3/4"
A4	2	SPACERS ~SEE DETAIL~
A5	2	WEARPAD 1/4" x 9 1/4" WIDE x 111" LONG
A6	96	ESTIMATED BAGS OF PERLITE
A7	1	18" S.P. BOLTED MANWAY w/ FIBERFLEX GASKET **** w/ 1/4" THICK COVER & 1/4" THICK FLANGE (18) 1/2" x 1 1/2" GRADE 5 ZINC BOLTS (18) 1/2" GRADE 5 ZINC NUTS
A8	1	KRUEGER LEVEL GAUGE
A9	1	KRUEGER LEAK GAUGE
A10	1	2" PRESS/VAC W/ ALARM, NPT-F VENT
A11	1	3" FILL PKG WITH HTC SPILL BOX
A12	1	1.5" SUCTION PIPING
A13	1	HEAD-MOUNTED PLATFORM 12" DEEP x 15" WIDE
LADDER		
MARK	QTY:	DESCRIPTION
L1	2	2" x 3/8" F.B. 82" LG (SIDE RAILS)
L2	8	2" x 3/8" F.B. 6" LG (LADDER CLIPS) ~SEE DETAIL~
L3	7	3/4" H.R. BAR 18" LG (LADDER RUNGS)
L4	4	1/2" x 1 1/2" LG BOLTS w/ WASHERS AND NUTS

PRIMARY: 270,520 CFH  
 SECONDARY: 292,320 CFH  
 EST WT = 20,000 LB

**HALL TANK COMPANY**  
 NORTH LITTLE ROCK, ARKANSAS  
 ENGINEERED PRODUCTS PHONE: (501) 945-3211

DRAWN BY: ABILLIOT DATE: 8/29/24 APPROVED BY: ENGINEERING DATE:  
 CHK'D BY: DATE: Q.A./Q.C. DATE:

TITLE: 5,000 GALLON HORIZONTAL FIREGUARD  
 AST: Ø72" X 288.25" LG (PRI)

BINDEWALD MAINTENANCE  
 MANDEVILLE, LA

JOB/CONTRACT NO. DRAWING NUMBER REV.  
 SCALE NTS SH 1 OF 1 31649-1-1 THRU 31649-1-2