

### Ordering Information

Accessories/hardware:		
ProMaster <sup>™</sup> faucet	K-6330	recommended

### Product Information

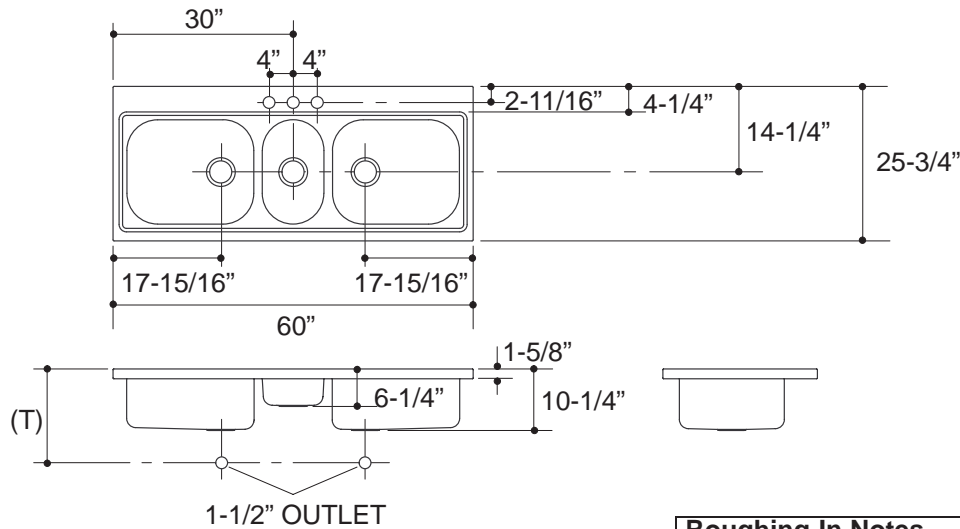
Fixture*:		basin area	water depth
Sink, left		21" x 18"	9-1/4"
Disposal		11" x 18"	5-1/4"
Sink, right		21" x 18"	9-1/4"
Outlets	3-5/8" D.		
Faucet holes	1-3/8" D.		

\* Approximate measurements for comparison only.

Included components:	
Installation hardware	87357
Cutting board	87365
Wire rack	87366
Wire basket	87360
Rinse tray	87367

### Installation Notes

Refer to installation instructions included with fixture before beginning installation.



### Roughing-In Notes

Fixture dimensions are nominal and conform to tolerances in ASME/ANSI Standard A112.19.3M.

For disposal unit, consult supplier for roughing-in measurements.

(T) Drain 15-5/8".