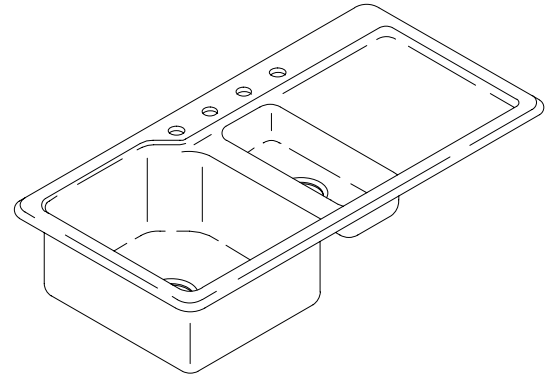


SELF-RIMMING KITCHEN SINK

K-5904

FEATURES

- 43" x 22"
- Cast iron
- Acid resistant enamel finish
- Self-rimming
- Double compartment with smaller disposal basin
- 5-hole (K-5904-5) or 4-hole (K-5904-4) drilling
- Integral drainboard



CODES/STANDARDS APPLICABLE

Specified model meets or exceeds the following:

- ASME/ANSI A112.19.1M
- IAPMO/UPC
- Canadian Standards Association (CSA)
- State of Massachusetts

COLORS/FINISHES

- 0 White
- Other Refer to Fixtures Price Book for additional colors

Accessories:

- CP Polished Chrome
- NA None Applicable
- Other Refer to Price Book for additional colors

SPECIFIED MODEL:

| Model | Description | Colors/Finishes | |
|----------|-------------|----------------------------------|-------------------------------------|
| K-5904-5 | 5-hole sink | <input type="checkbox"/> 0 White | <input type="checkbox"/> Other_____ |
| K-5904-4 | 4-hole sink | <input type="checkbox"/> 0 White | <input type="checkbox"/> Other_____ |

| Recommended Accessories | | | |
|-------------------------|-----------------------------------|-----------------------------|-------------------------------------|
| K-9000 | Trap | | <input type="checkbox"/> CP |
| Optional Accessories | | | |
| K-5907 | Hardwood cutting board/drainboard | | <input type="checkbox"/> NA |
| K-8801 | Duostrainer sink strainer | <input type="checkbox"/> CP | <input type="checkbox"/> Other_____ |

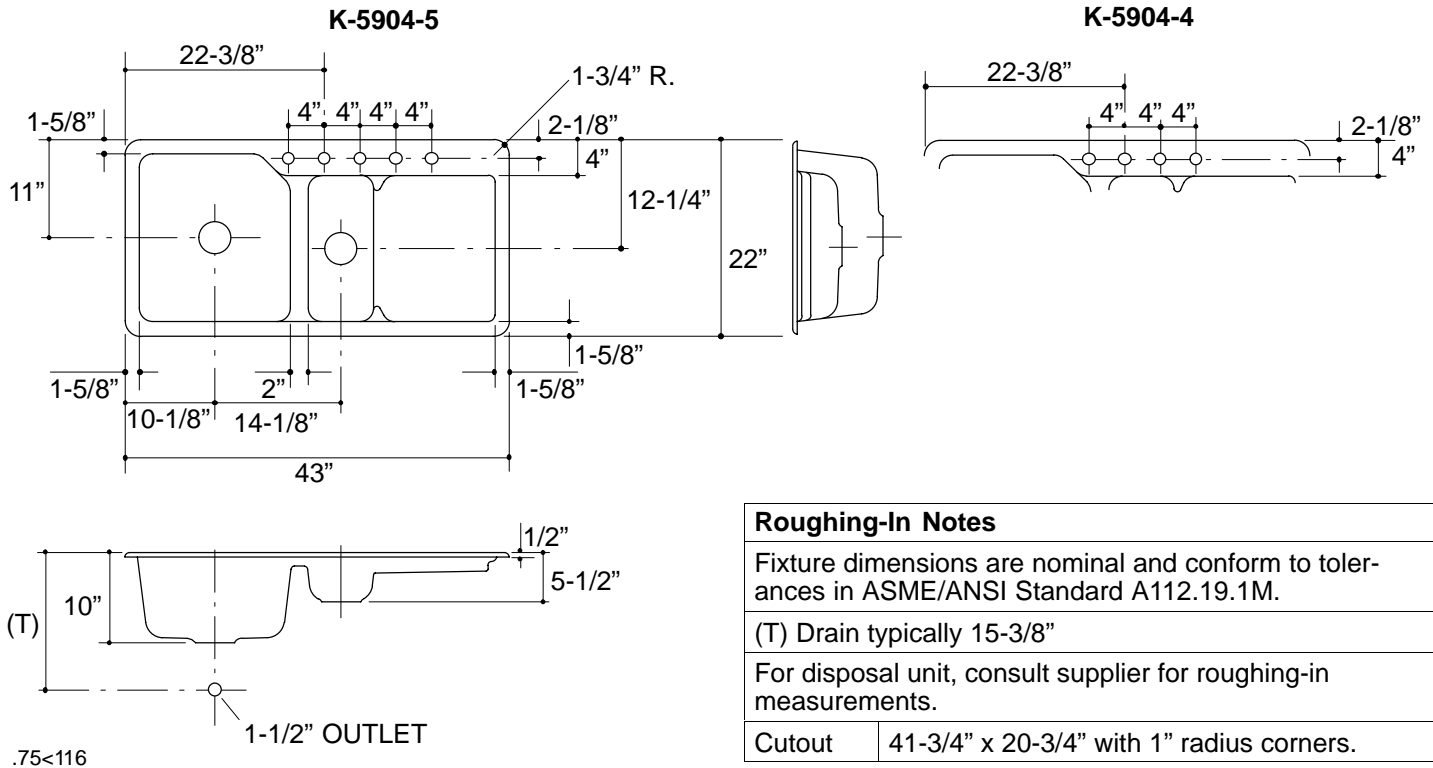
PRODUCT SPECIFICATION:

The self-rimming sink shall be 43" in length, and 22" in width. Sink shall be made of cast iron with acid resistant enamel finish. Sink shall be double compartment with smaller disposal basin. Sink shall be 5-hole (K-5904-5), or 4-hole (K-5904-4) drilled. Sink shall have integral drainboard. Sink shall be Kohler Model K-5904-_____-_____.

PRODUCT INFORMATION

| Fixture*: | | basin area | water depth |
|--------------|-----------|------------|-------------|
| Sink | | 17" x 19" | 9-3/8" |
| Disposal | | 8" x 16" | 3-5/8" |
| Drainboard | | 14" x 16" | |
| Outlets | 3-5/8" D. | | |
| Faucet holes | 1-3/8" D. | | |

* Approximate measurements for comparison only.



PRODUCT DIAGRAM