

Ordering Information

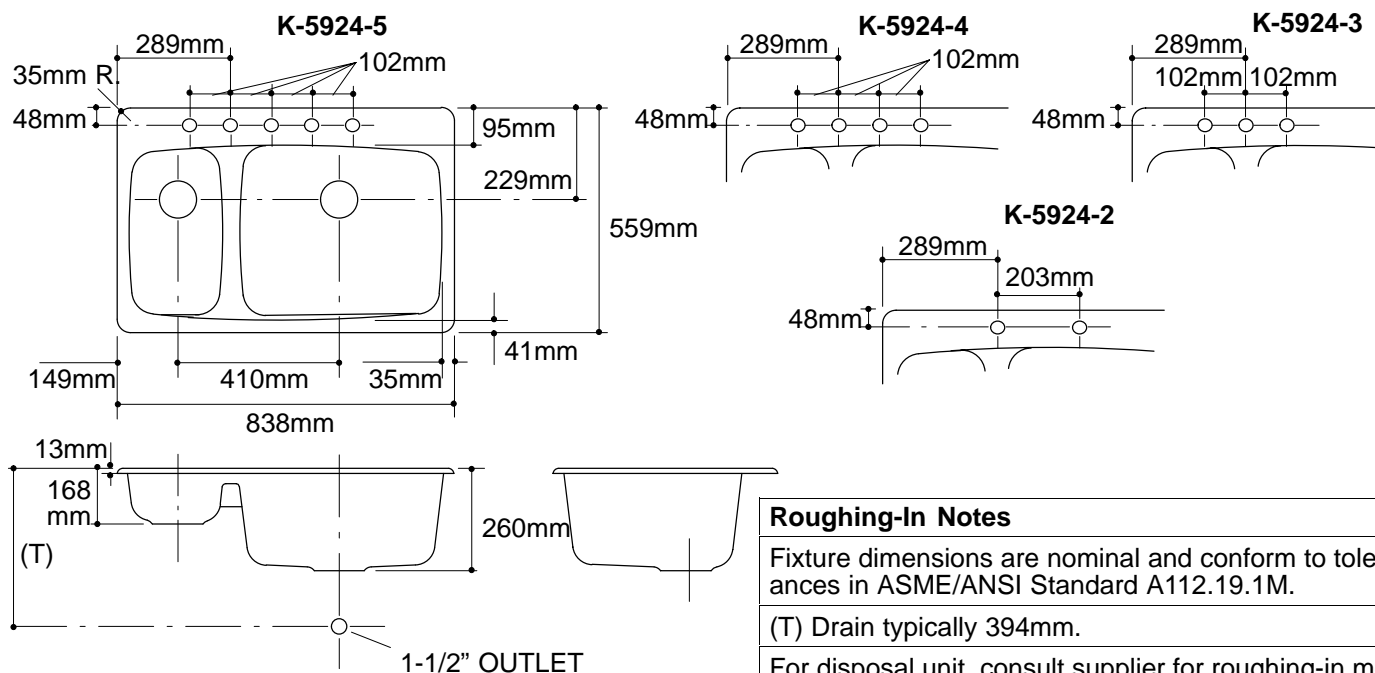
Applicable product:		
Five-hole sink	K-5924-5	shown
Four-hole sink	K-5924-4	not shown
Three-hole sink	K-5924-3	not shown
Two-hole sink	K-5924-2	not shown
Accessories/hardware:		
Hardwood cutting board	K-6507	optional
Wire rinse basket	K-6511	optional
Bottom basin rack	K-6011	optional

Product Information

Fixture*:		basin area	water depth
Sink		483 x 432mm	213mm
Disposal		229 x 406mm	121mm
Outlets	Ø98mm		
Faucet and spout holes	Ø35mm		
* Approximate measurements for comparison only.			

Installation Notes

Refer to installation instructions included with fixture before beginning installation.



Roughing-In Notes

Fixture dimensions are nominal and conform to tolerances in ASME/ANSI Standard A112.19.1M.

(T) Drain typically 394mm.

For disposal unit, consult supplier for roughing-in measurements.

Cutout	806 x 527mm with 25mm radius corners.
--------	---------------------------------------

.85<116

K-5924 Lakefield™ Sink
105131-1M-AA (9631)

KOHLER®