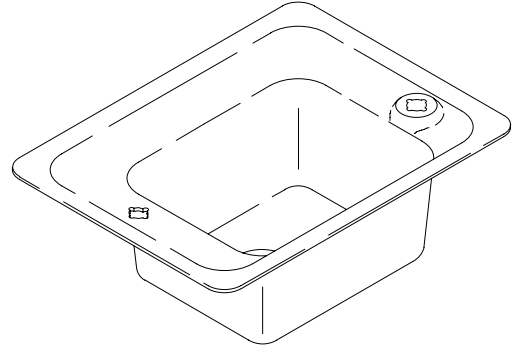


FEATURES

- 24" x 18"
- Cast iron
- Acid resistant enamel finish
- With bubbler mound and drilling for gooseneck faucet



CODES/STANDARDS APPLICABLE

Specified model meets or exceeds the following:

- ASME/ANSI A112.19.1M
- IAPMO/UPC
- Canadian Standards Association (CSA)
- State of Massachusetts

COLORS/FINISHES

- 0 White

Accessories:

- CP Polished Chrome
- NA None Applicable

SPECIFIED MODEL:

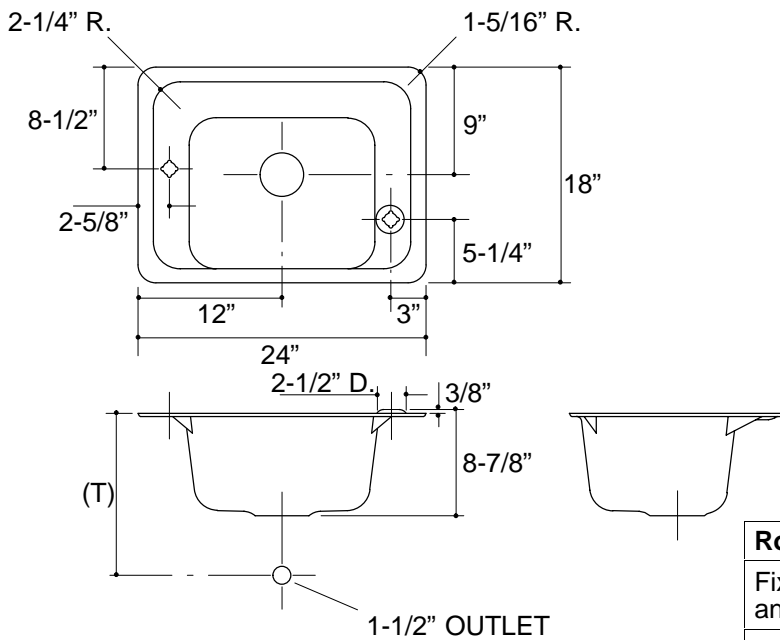
Model	Description	Colors/Finishes
K-5990	All-purpose sink	<input type="checkbox"/> 0 White
Recommended Accessories		
K-9000	Trap	<input type="checkbox"/> CP
Optional Accessories		
K-6594	Metal frame	<input type="checkbox"/> NA
K-8807	Sink strainer	<input type="checkbox"/> CP

PRODUCT SPECIFICATION:

The all-purpose sink shall be 24" in length, and 18" in width. Sink shall be made of cast iron with acid resistant enamel finish. Sink shall have bubbler mound and be drilled for gooseneck faucet. Sink shall be Kohler Model K-5990-_____.

PRODUCT INFORMATION

Fixture*:		basin area	water depth
Sink		15" x 12"	8"
Outlet	3-5/8" D.		
Faucet hole	1-1/8" D.		
Bubbler hole	1-1/8" D.		
* Approximate measurements for comparison only.			



Roughing-In Notes

Fixture dimensions are nominal and conform to tolerances in ASME/ANSI Standard A112.19.1M.

(T) Drain typically 13-1/2\".

PRODUCT DIAGRAM