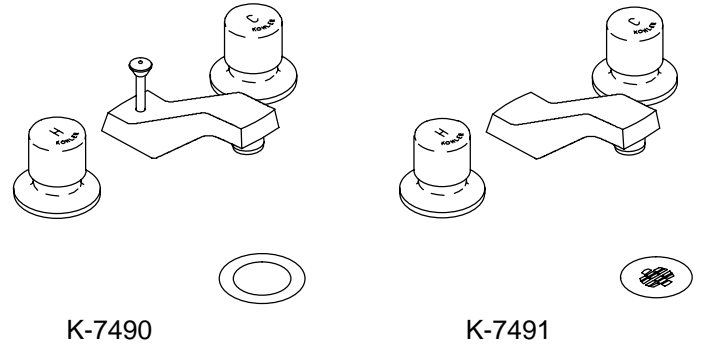


**METERING LAVATORY FAUCET
K-7490
ALSO K-7491**

FEATURES

- Brass construction
- Flexible connections
- Brass valve bodies
- Self-closing valves
- 4" spout
- Vandal-resistant aerator
- 2.0 gallons per minute
- Available with vandal-resistant pop-up drain with lift rod and tailpiece, or vandal-resistant grid drain and tailpiece



CODES/STANDARDS APPLICABLE

Specified model meets or exceeds the following:

- ASME/ANSI A112.18.1M
- California Energy Commission
- Energy Policy Act of 1992
- IAPMO/UPC
- NSF 14

COLORS/FINISHES

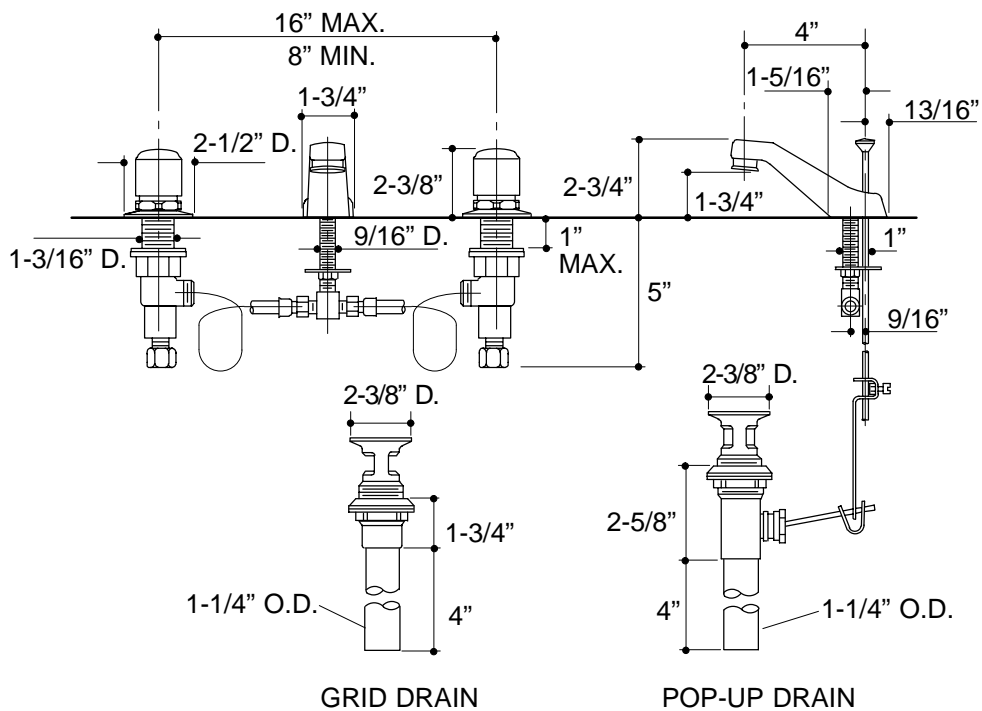
- CP Polished Chrome

SPECIFIED MODEL:

Model	Description	
K-7490	With Pop-Up Drain	<input type="checkbox"/> CP
K-7491	With Grid Drain	<input type="checkbox"/> CP

PRODUCT SPECIFICATION:

Two-handle self-closing metering faucet shall be of brass construction. Faucet shall feature brass valve bodies. Product shall include flexible connections, self-closing valves, 4" spout, vandal-resistant aerator, and handles. Optional features shall be vandal-resistant pop-up drain with lift rod and tailpiece, or vandal-resistant grid drain with tailpiece. Faucet shall be Kohler Model K-_____-CP.



1.25>18

PRODUCT DIAGRAM