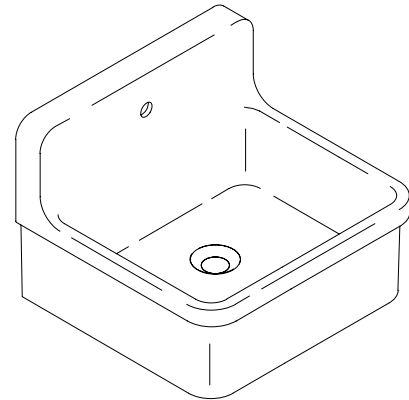


FEATURES

- 24" x 22"
- Vitreous china
- Single compartment
- Single center hole
- Optional K-1814-P wall brackets



CODES/STANDARDS APPLICABLE

Specified model meets or exceeds the following:

- ASME/ANSI A112.19.2M
- IAPMO/UPC
- Canadian Standards Association (CSA)
- State of Massachusetts

COLORS/FINISHES

- 0 White

Accessories:

- CP Polished Chrome
- NA None Applicable

SPECIFIED MODEL:

Model	Description	Colors/Finishes
K-12784	Single-center hole sink	<input type="checkbox"/> 0 White
Recommended Accessories		
K-1814-P	Brackets	<input type="checkbox"/> NA
Optional Accessories		
K-9000	Trap	<input type="checkbox"/> CP
K-9115	1-1/2" sink strainer	<input type="checkbox"/> CP
K-9118	2" sink strainer	<input type="checkbox"/> CP

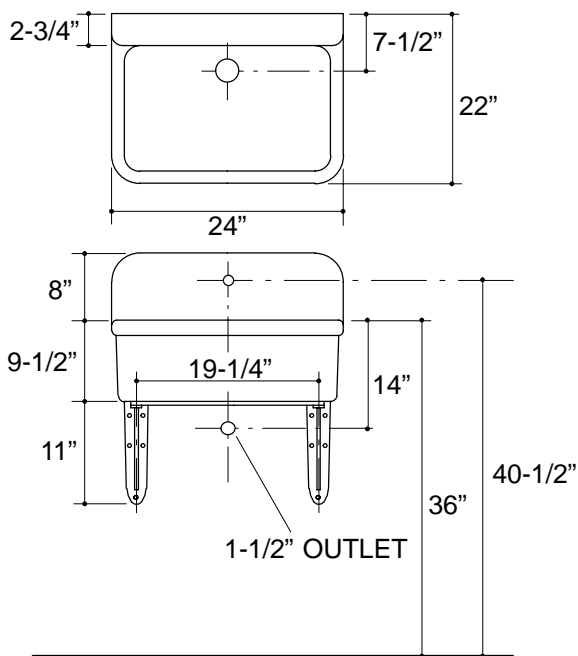
PRODUCT SPECIFICATION:

The scrub-up/plaster sink shall be 24" in length and 22" in width. Sink shall be made of vitreous china. Sink shall be single compartment. Sink shall be single-center hole drilled back. Sink shall have optional K-1814-P wall brackets. Sink shall be Kohler Model K-12784-_____.

PRODUCT INFORMATION

Fixture*:		basin area	water depth
Sink		22" x 18"	8-5/8"
Outlet	2-1/4" D.		
Faucet hole	1-3/8" D.		

* Approximate measurements for comparison only.



.8<116

Roughing-In Notes

Recommended accessories/hardware are shown.

PRODUCT DIAGRAM