

KOHLER® SERVICE PARTS

BATH AND SHOWER FITTINGS

K-7014§
K-7016§

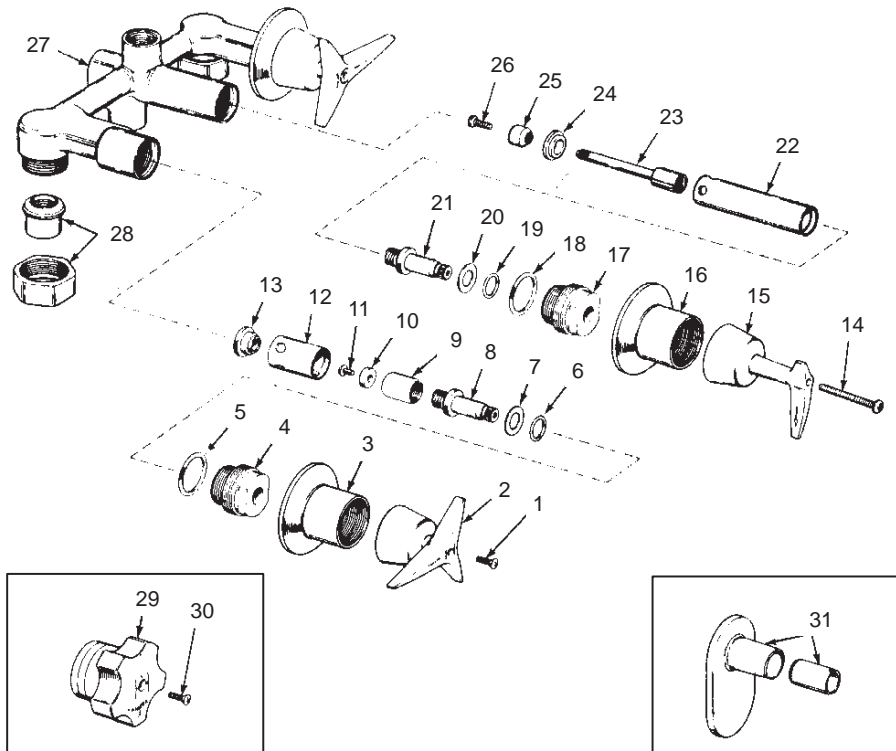
TRITON
CONSTELLATION

DIVERTER BATH AND SHOWER VALVE ASSEMBLY
DIVERTER BATH AND SHOWER VALVE ASSEMBLY

ORDER BY KIT NUMBER OR PART NUMBER, NOT ITEM NUMBER OR KIT LETTER.

Ordering Options

Item	Part No. or Kit
1	A or B
2	C
3, 16	D
4	34253
5, 6, 7	E or F, G
8, 9	E or F
10, 11	E or F, G
12	E or F
13	E or F, G
14	H or I
15	*, J
16, 3	D
17, 18, 19, 20, 21,	23070
22, 23, 24, 25, 26	23070
27	**
28	K or L
29	M
30	I
31	N



Kit Ordering Information

Kit	Kit Part No.	Kit Name	Kit Contents
A	30107	Screw (Round Head)	3 ea., Item 1
B	30097‡	Screw (Countersunk)	3 ea., Item 1
C	30017‡	Triton Chrome Handle	1 ea. Hot, 1 ea. Cold, Item 2
D	30071‡	Escutcheon	2 ea., Item 3 or 16
E	30002	Valve Replacement (Closes Clockwise)	1 ea., Items 5 thru 13
F	30004	Valve Replacement (Closes Counterclockwise)	1 ea., Items 5 thru 13
G	30294	Valve Rebuilding	2 ea., Items 5, 6, 7, 10, 11, and 13
H	30111‡	Chrome Screw (Triton)	3 ea., Item 14
I	30109‡	Chrome Screw (Constellation)	3 ea., Item 14
J	22902‡	Constellation Handle (Specify Diverter)	1 ea., Item 15
K	30204	Union S.A. (1/2" I.P.)	2 ea., Item 28
L	30203	Union S.A. (5/8" O.D. Copper)	2 ea., Item 28
M	30019‡	Constellation Chrome Handle	1 ea. Hot, 1 ea. Cold; Item 29
N	30095‡	Oval Escutcheon for Fitting with Stops	2 ea., Item 31

KITS MAY INCLUDE EXTRA PARTS

NOTES:

- * Triton Diverter Handle is not available as a service part.
- ** Not available as a service part.

LEGEND:

- § Reference Number Only.
- ‡ Specify Finish.