

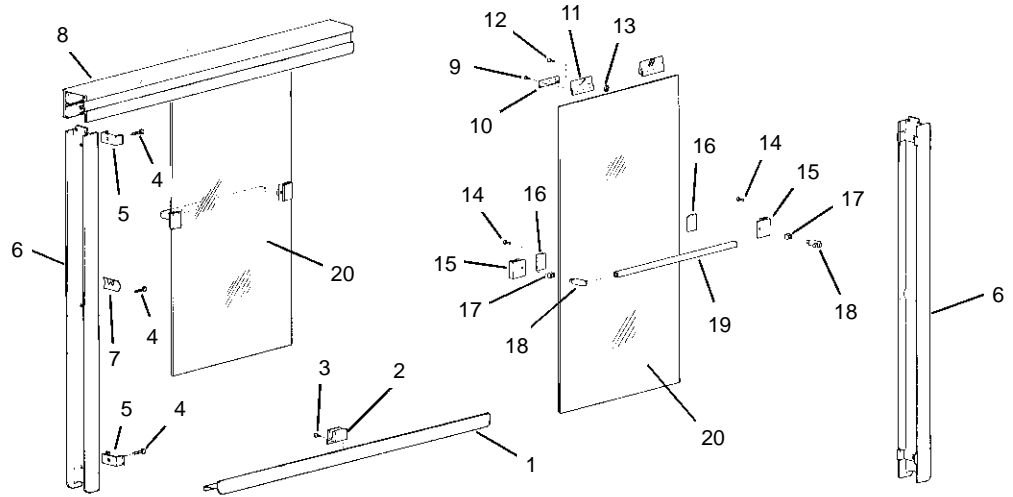
K-9872

GLASSWORKS™ FRAMELESS BYPASS SHOWER DOOR

ORDER BY KIT NUMBER OR PART NUMBER, NOT ITEM NUMBER OR KIT LETTER.

### Ordering Options

Item	Part No. or Kit
1	66728†
2	A
3	B
4	C
5	D
6	66727†
7	E
8	66715††
9	F
10	G
11	H
12, 13	I
14	J
15	K
16	L
17	M
18	N
19	O
20	P



GLASS CHART "P"

### Description

Obscure Door (R or L)  
Designer Door (R or L)

### Kit or Part No.

66731  
66729

### Kit Ordering Information

Kit	Kit Part No.	Kit Name	Kit Contents
A	62327	Guide	5 ea., Item 2
B	62317 †	Truss Head Screw (#6 x 3/8")	10 ea., Item 3
C	62308 †	Truss Head Screw (#8 x 1-1/2")	20 ea., Item 4
D	62330	Bumper	5 ea., Item 5
E	62326	Snap-on Bumper (w/Spacer Attached)	5 ea., Item 7
F	62321	Round Head Screw	10 ea., Item 9
G	62312 †	Glass Hanger Bracket	5 ea., Item 10
H	62333 †	Bracket Face	5 ea., Item 11
I	62324	Door Roller (w/Screw)	1 ea., Items 12 and 13
J	62307	Flat Head Screw (#10 x 1/2")	20 ea., Item 14
K	62316 †	Towel Bar Clamp	5 ea., Item 15
L	62334	Rubber Pad	5 ea., Item 16
M	62335 †	Trim Ring	5 ea., Item 17
N	62315	Towel Bar End	10 ea., Item 18
O	62219 ††	Towel Bar Kit	1 ea., Item 19
P	—	Glass Doors	See Glass Chart "P" above

### KITS MAY INCLUDE EXTRA PARTS

#### NOTES:

† Service tools required, refer to instructions packaged with kit.

#### LEGEND:

‡ Specify Finish.