

KOHLER® SERVICE PARTS

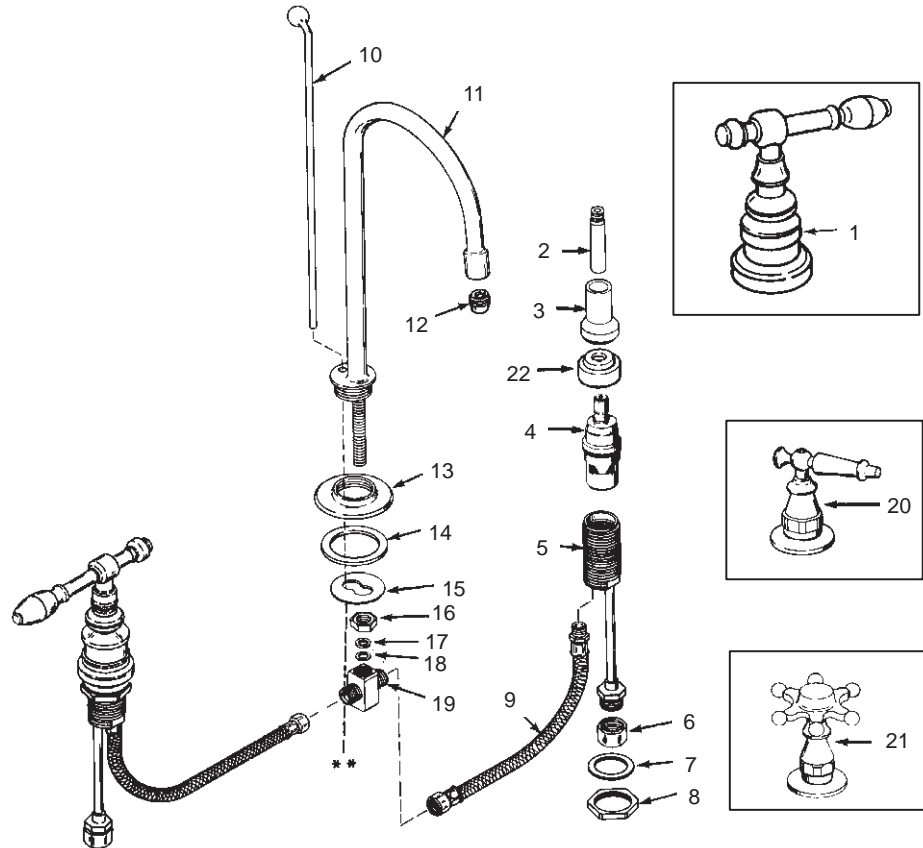
LAVATORY FITTINGS

K-6813-CV IV GEORGES BRASS HIGH COUNTRY WIDESPREAD LAVATORY FAUCET
K-115 ANTIQUE 6 PRONG HIGH COUNTRY WIDESPREAD LAVATORY FAUCET
K-116 ANTIQUE LEVER HANDLE HIGH COUNTRY LAVATORY FAUCET

ORDER BY KIT NUMBER OR PART NUMBER, NOT ITEM NUMBER OR KIT LETTER.

Ordering Options

Item	Part No. or Kit
1	G
2	I or J or K
3	52795
4	A or B
5	56251
6, 7, 8	C
9	D
10	40156‡
11	40152‡
12	30072‡
13	30078‡
14	E
15, 16, 17, 18, 19	F
20, 21	H
22	L



Kit Ordering Information

Kit	Kit Part No.	Kit Name	Kit Contents
A	30430	Valve (Closes Clockwise)	1 ea., Item 4
B	30431	Valve (Closes Counterclockwise)	1 ea., Item 4
C	30332	Mounting Hardware	2 ea., Items 6, 7, and 8
D	30233	Hose Kit	2 ea., Item 9
E	30342	Gasket Kit	1 ea., Item 14
F	40036	Tee Assembly	1 ea., Items 15 thru 19
G	106674§	IV Georges Brass Handle Options	See INDEX.
H	106216§	Antique Handle Options	See INDEX.
I	30712‡	Stem Extension (IV Georges Brass)	1 ea., Item 2
J	40476‡	Stem Extension (Antique Lever)	1 ea., Item 2
K	500455‡	Stem Extension Kit (6 Prong)	2 ea., Item 2
L	500253	Stabilizer Kit	2 ea., Item 22

KITS MAY INCLUDE EXTRA PARTS

NOTES:

** For pop-up drain see K-7701.

LEGEND:

‡ Specify Finish.
 § Reference Number Only.
 ■ Parts further exploded within this catalog. See INDEX.