

Ordering Information

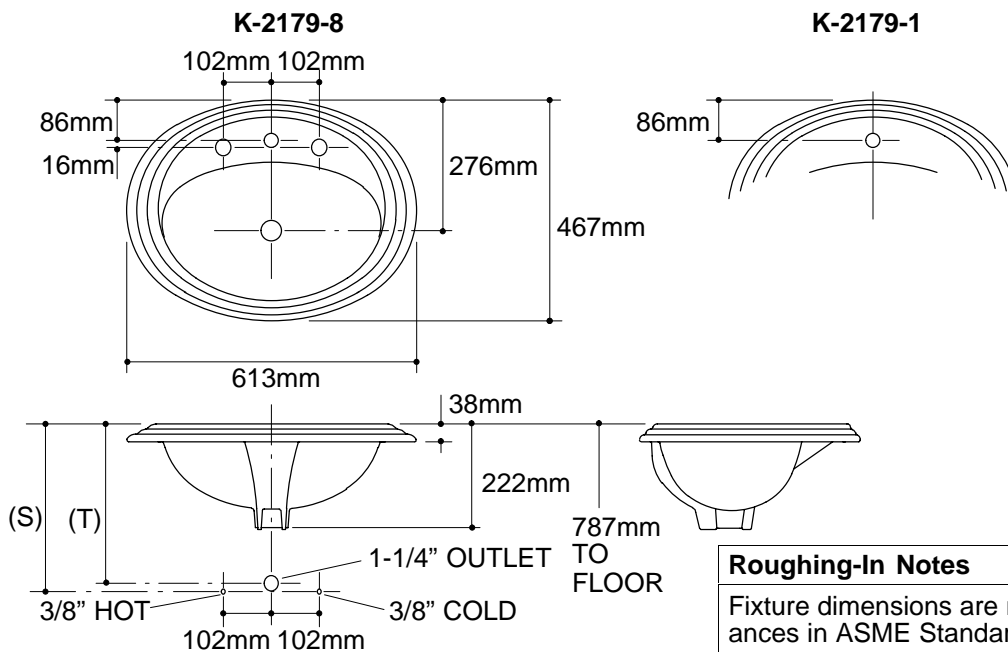
Applicable product:		
203mm centers lavatory	K-2179-8	shown
Single hole lavatory	K-2179-1	not shown

Product Information

Fixture*:		basin area	water depth
Lavatory		457 x 305mm	127mm
Outlet	Ø44mm		
* Approximate measurements for comparison only.			

Holes	K-2179-8	K-2179-1	
Spout	Ø30mm	Ø35mm	
Faucet	Ø35mm		

Included Components:	
Adhesive sealant	63034
Adjustable linkage	40372
Cutout template	111531



Roughing-In Notes
Fixture dimensions are nominal and conform to tolerances in ASME Standard A112.19.2M.
(T) Pop-up drain 338mm.
(S) 356mm (Based on 305mm riser which may require cutting).