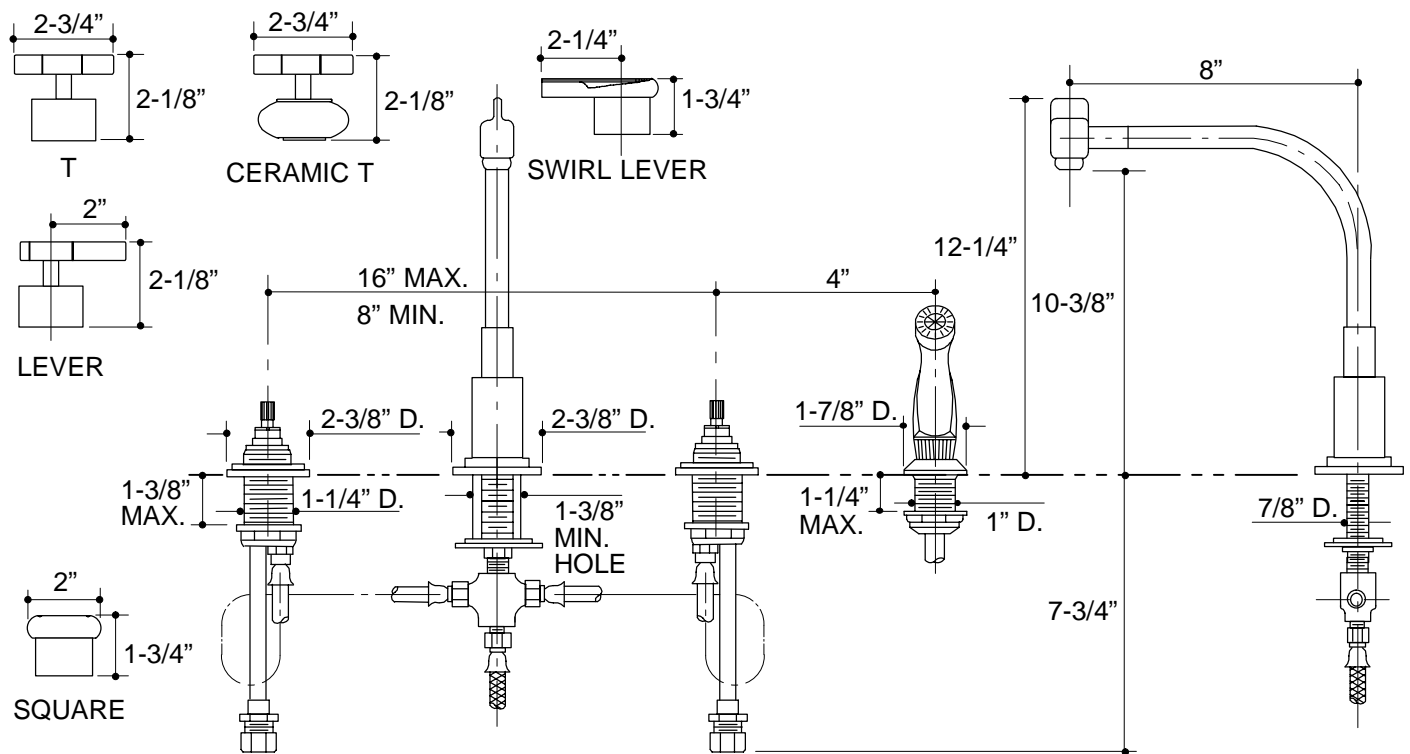


Ordering Information

Applicable product:	
Multi-swivel base*	K-8220-K
Handles:	
T	K-16070-6
Vandal resistant T	K-16070-6C
Lever	K-16070-4
Vandal resistant lever	K-16070-4C
Swirl lever	K-16070-4A
Square	K-16070-2

Handles, continued:	
Ceramic, Islander™ polished chrome trim	K-16076-6P
Ceramic, Islander™ polished brass trim	K-16077-6P
*Handles must be ordered to complete faucet.	
ADA Lever handles are ADA compliant	



316

K-8220-K Taboret® Sink Faucet
113031-1-BA (-)

KOHLER®

NOTES: