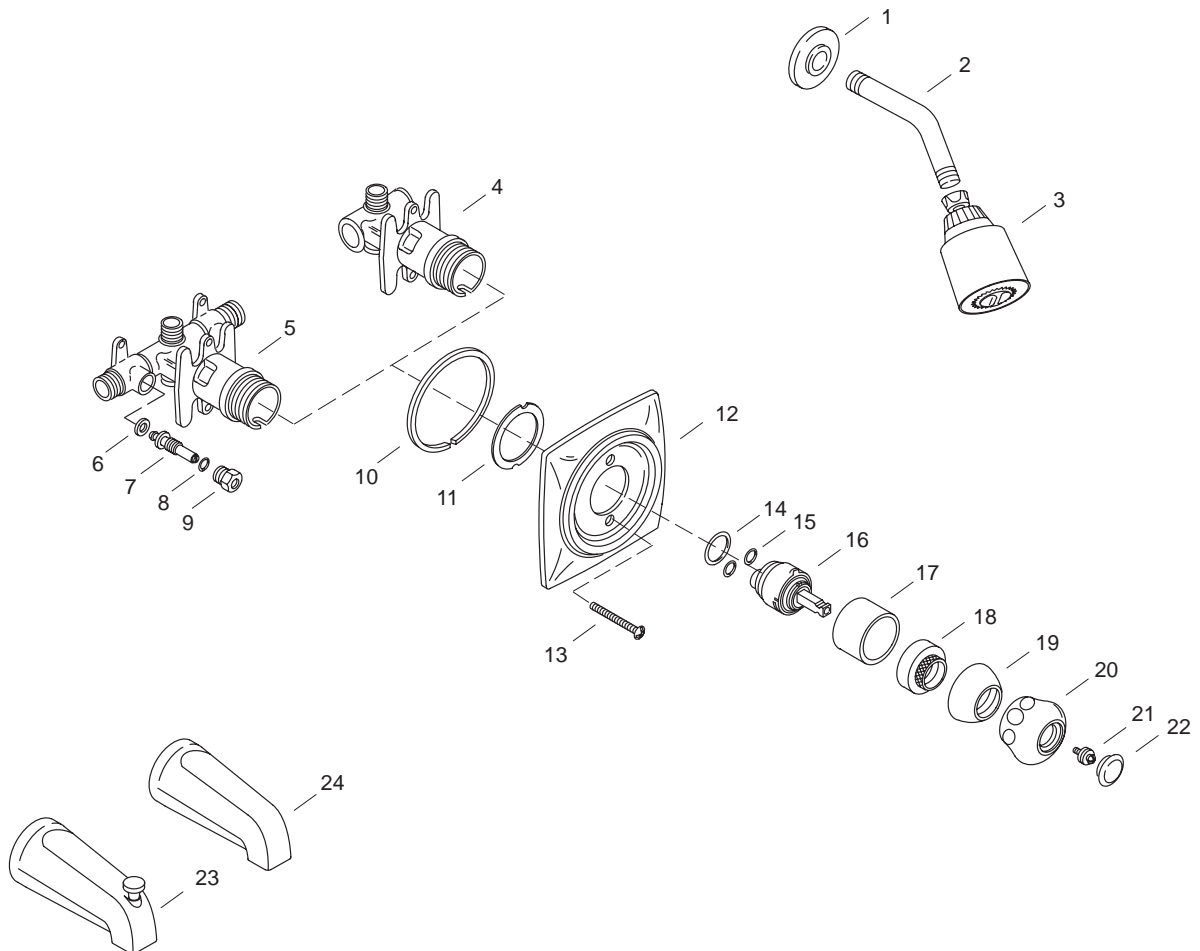


K#	Bath/Shower Faucet	Shower/ Faucet	Bath/ Faucet	Valve Only	IPS Spout		Slip-Fit Spout		Acrylic Handles	Screw Stops
					Diverter	Non- Diverter	Diverter	Non- Diverter		
K-15131-**-DC	X				X				X	
K-15131-S**-DC	X						X		X	
K-15133-**-DC	X				X				X	X
K-15133-S**-DC	X						X		X	X
K-15140-**-DB		X							X	
K-15142-**-DB		X							X	X
K-15150-**-CC			X			X			X	
K-15150-S**-CC			X					X	X	
K-15151-**-CC			X			X			X	X
K-15151-S**-CC			X					X	X	X
K-15152-**-BB				X					X	
K-15154-**-BB				X					X	X



\*\* Variation and/or finish/color code may be required when ordering.

### SERVICE PARTS

ITEM	PART NO.	DESCRIPTION
1	20429**	Flange, Shower Arm
2	51410**	Shower Arm
3	73670**	Shower Head Assembly
4	71846	Body Subassembly, SC w/Venturi Tube
5	75293	Body Subassembly, SC w/Venturi Tube, Stops
6	71931	Seat Washer, Mixing Valve
7	71930	Stem, Mixing Valve
8	71929	O-Ring
9	71932	Bonnet, Mixing Valve
10	71813	Gasket Escutcheon OD
11	71814	Gasket Escutcheon ID
12	71839**	Escutcheon Kit
13	71838**	Screws Subassembly
14	71015	O-Ring
15	33993	O-Ring
16	30413	Valve Unit Single Control
17	71816	Sleeve
18	71509	Bonnet
19	71524	Cover, Snap
20	71520	Handle
21	71508	Screw Subassembly
22	71909	Mixer Plug Button Marked
23	73666**	Spout, IPS Diverter Bath
	73668**	Spout, Slip Diverter Bath
24	73667**	Spout, IPS Bath
	73669**	Spout, Slip Bath

### SERVICE KITS

PART NO.	ITEM	QTY.	DESCRIPTION
71863			Body Subassembly, S.C. W/Tube
	5	1 ea.	Body, STD B, W/Stops S.C.
	6	2 ea.	Seat Washer, Mixing Valve
	7	2 ea.	Stem, Mixing Valve
	8	2 ea.	O-Ring
	9	2 ea.	Bonnet, Mixing Valve

\*\* Variation and/or finish/color code may be required when ordering.