

Ordering Information

Accessories/hardware:		
Jet trim kit	K-9698	required
Drain	K-7161-AF	recommended
Included Components:		
Cutout template	113311-7	

Required Electrical Service

Dedicated circuit required, protected with Class A Ground-Fault Circuit-Interrupter (GFCI):	
Pump/control	120 V., 20 A, 60 Hz

Product Information

Fixture*:	basin area	top area	weight		
Bathing well	1270 x 737mm	1549 x 813mm	54 Kg.		
	water depth	capacity			
To overflow	406mm	379 litres			
* Approximate measurements for comparison only.					
Pump	high HP	low HP	V	Hz	A
2-speed	1	1/8	120	60	16.5

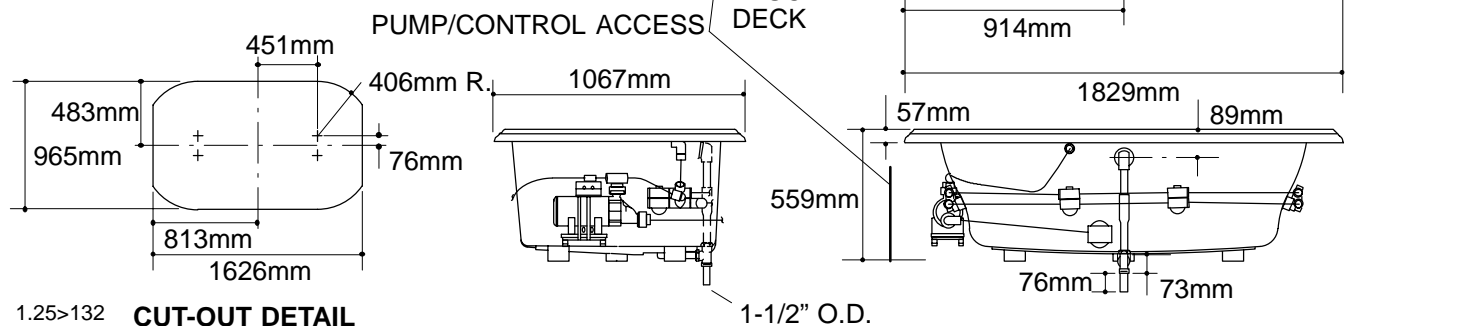
Installation Notes

Refer to installation instructions included with fixture before beginning installation.

If installing a rim-mount faucet, make sure there is no interference with drain overflow and circulating system before drilling any holes. Consult local and national codes for minimum air gap requirements if installing a spout on the faucet deck.

Pump is supplied with a grounding type plug-in cord. Locate the outlet behind the whirlpool, and within 610mm of the pump.

Roughing-In Notes		
Fixture conforms to ANSI Standard Z124.1. All dimensions are nominal.		
No change in measurements if connected with drain illustrated.		
Minimum access panel:		
Pump/control	508mm W x 381mm H	required
Faucet area		recommended



1.25>132 CUT-OUT DETAIL