

Ordering Information

Accessories/hardware:		
Jet trim kit	K-9390	required
Drain	K-7167	recommended
Vinyl tiling-in bead*	K-1179	optional

*Use K-1179 vinyl bead when wall material contacts any top surface of bath.

Required Electrical Service

Dedicated circuit required, protected with Class A Ground-Fault Circuit-Interrupter (GFCI):	
Pump/control	120 V., 20 A, 60 Hz

Product Information

Fixture*:	basin area	top area	weight
Bathing well	1194 x 762mm	1575 x 965mm	61 Kg.
	water depth	capacity	
To overflow	445mm	469 litres	

* Approximate measurements for comparison only.

Pump:	HP	V	Hz	A
1-speed	2	120	60	18.5

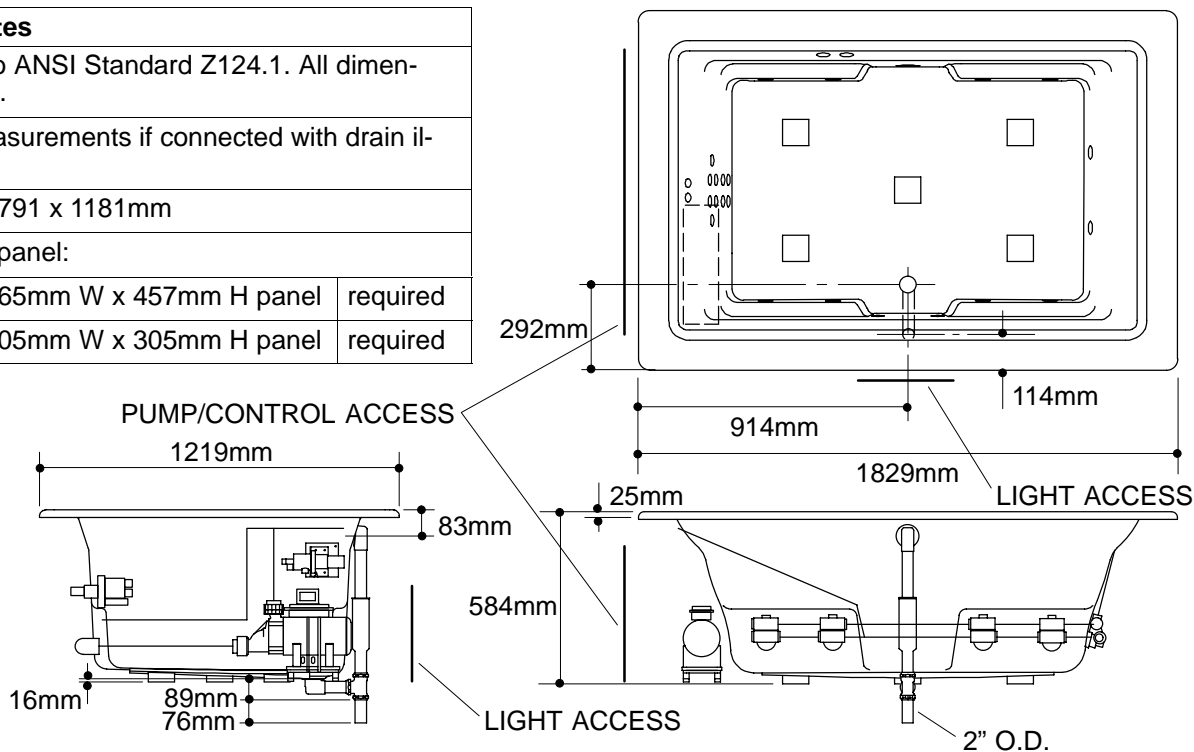
Installation Notes

Refer to installation instructions included with fixture before beginning installation.

If installing a rim-mount faucet, make sure there is no interference with drain overflow and circulating system before drilling any holes. Consult local and national codes for minimum air gap requirements if installing a spout on the faucet deck.

Pump is supplied with a grounding type plug-in cord. Locate the outlet behind the whirlpool, and within 610mm of the pump.

Roughing-In Notes		
Fixture conform to ANSI Standard Z124.1. All dimensions are nominal.		
No change in measurements if connected with drain illustrated.		
Cut-out	1791 x 1181mm	
Minimum access panel:		
Pump/control	965mm W x 457mm H panel	required
Lights	305mm W x 305mm H panel	required



1.25>132