

## Ordering Information

Applicable product:		
Pump on left	K-1482-H	shown
Pump on right	K-1484-H	not shown
Accessories/hardware:		
Jet trim kit	K-9696	required
Faucet trim kit	varies	required
Grip rail kit	K-9596	required
Vinyl tiling-in bead*	K-1179	optional
*Use K-1179 vinyl bead when wall material contacts any top surface of bath.		

## Required Electrical Service

Dedicated circuit required, protected with Class A Ground-Fault Circuit-Interrupter (GFCI):	
Pump/control	120 V., 20 A, 60 Hz

## Product Information

Fixture*:	basin area	top area	weight
Bathing well	1041 x 737mm	1422 x 914mm	63 Kg.
	water depth	capacity	
To overflow	381mm	322 litres	

\* Approximate measurements for comparison only.

Pump:	high HP	low HP	V	Hz	A
2-speed	1	1/8	120	60	16.5

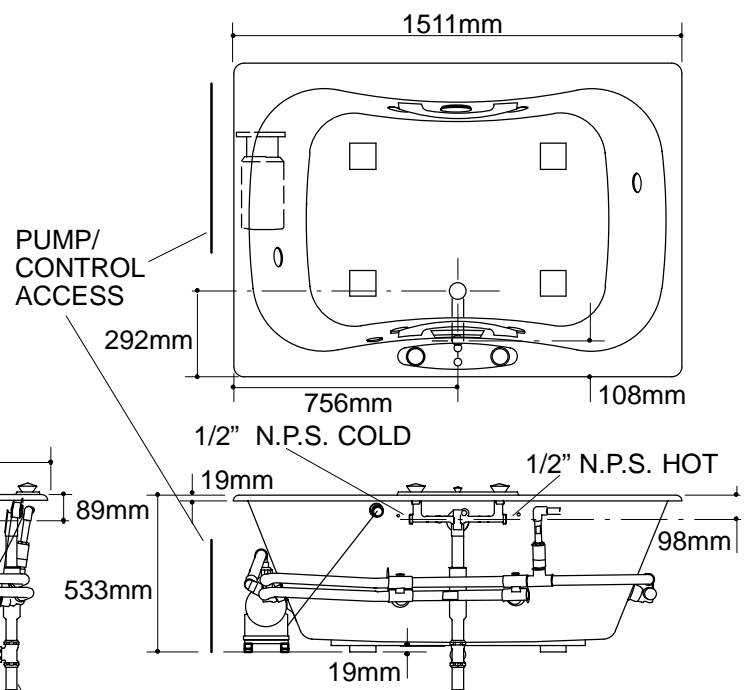
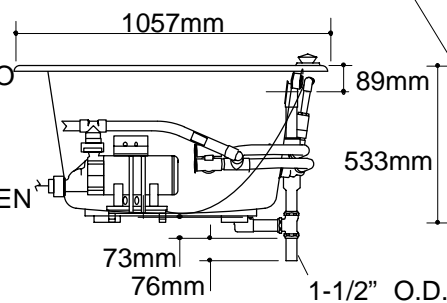
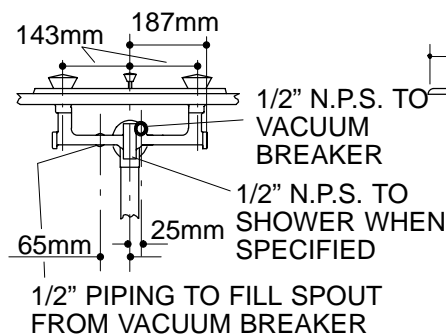
## Installation Notes

Refer to installation instructions included with fixture before beginning installation.

Pump is supplied with a grounding type plug-in cord. Locate the outlet behind the whirlpool, and within 610mm of the pump.

<b>Roughing-In Notes</b>		
Fixture conforms to ANSI Standard Z124.1. All dimensions are nominal.		
Pump extends 13mm beyond the bath rim. Make provisions during rough-in or installation.		
Cut-out	1473 x 1016mm	
Minimum access panel:		
Pump/control	508mm W x 381mm H panel	required

### YOKE DETAIL



1.25>132