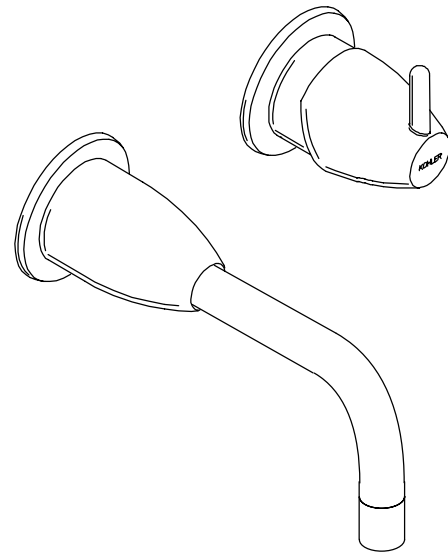


**FAUCET  
K-195**

**ALSO K-197, K-199**

**ADA**



**FEATURES**

- Brass construction
- One-piece self-contained ceramic disc valve allows both volume and temperature control
- Temperature memory allowing faucet to be turned on and off at any temperature setting
- Available with 6", 9", or 12" spout
- 2.2 gallons per minute
- Lever handle

**CODES/STANDARDS APPLICABLE**

Specified model meets or exceeds the following:

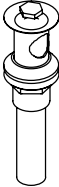

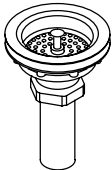
- ASME/ANSI A112.18.1M
- California Energy Commission
- Energy Policy Act of 1992
- NSF 14

**COLORS/FINISHES**

- CP Polished Chrome
- PB Polished Brass

**SPECIFIED MODEL:**

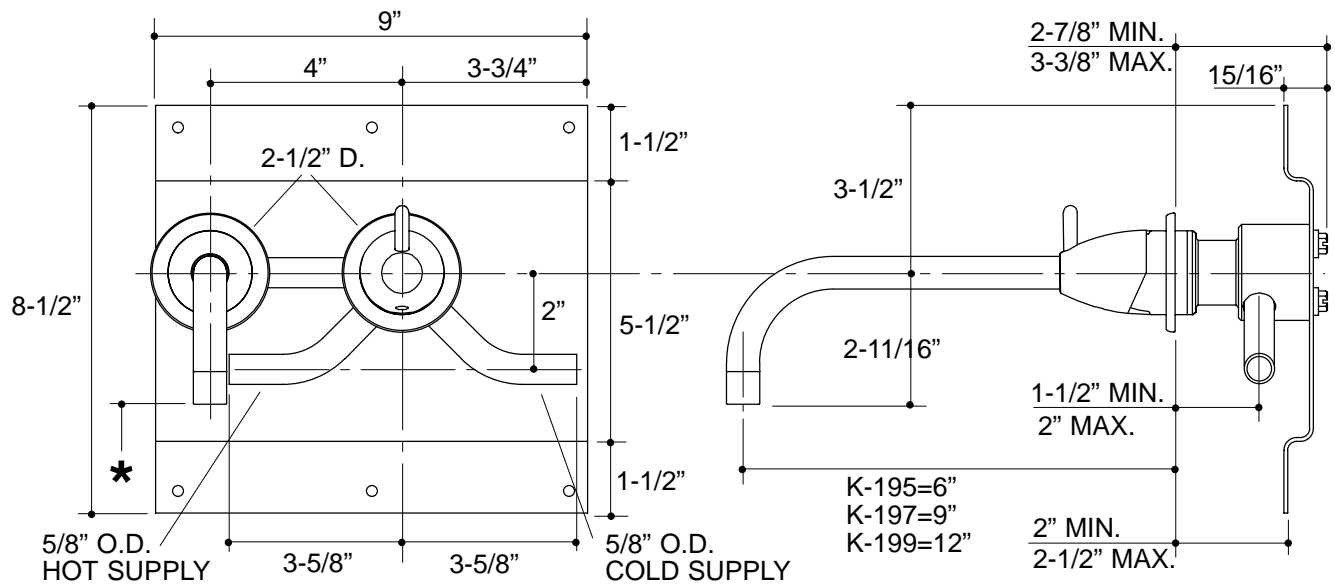
Model	Description		
K-195	With 6" Spout	<input type="checkbox"/> CP	<input type="checkbox"/> PB
K-197	With 9" Spout	<input type="checkbox"/> CP	<input type="checkbox"/> PB
K-199	With 12" Spout	<input type="checkbox"/> CP	<input type="checkbox"/> PB

Optional Accessories				
K-7710	Lavatory Drain	<input type="checkbox"/> CP		
K-7715	Lavatory Drain		<input type="checkbox"/> CP <input type="checkbox"/> PB	
K-8801	Duostrainer Sink Strainer			<input type="checkbox"/> CP <input type="checkbox"/> PB <input type="checkbox"/> Other_____

**PRODUCT SPECIFICATION:**

Single-control wall-mount faucet shall be of brass construction. The valve shall be a one-piece, self-contained ceramic disc valve, and allows both volume and temperature control. The valve shall feature temperature memory, allowing the faucet to be turned on and off at any temperature setting. Product shall include lever handle. Optional feature shall be 6", 9", or 12" spout. Faucet shall be Kohler Model K-\_\_\_\_\_ - \_\_\_\_\_.

# FALLING WATER



**Roughing-In Notes**

\*A 4" minimum must be maintained between bottom of spout and top of fixture rim.

Two 1-7/8" D. cut-out holes required for spout and handle.

## PRODUCT DIAGRAM