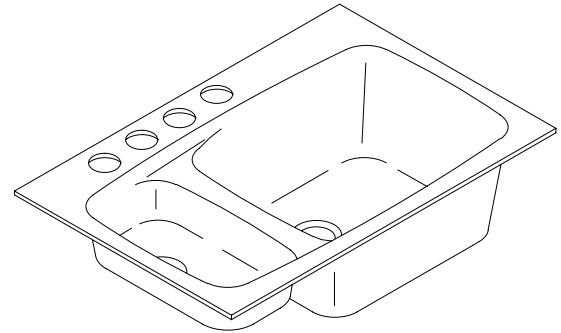


### UNDERCOUNTER KITCHEN SINK

# K-5877-4U

#### FEATURES

- 33" x 22"
- Cast iron
- Acid resistant enamel finish
- Undercounter
- Double (high/low) compartment
- 4-hole drilling (oversized)



#### CODES/STANDARDS APPLICABLE

Specified model meets or exceeds the following:

- ASME/ANSI A112.19.1M
- IAPMO/UPC
- Canadian Standards Association (CSA)
- State of Massachusetts

#### COLORS/FINISHES

- 0 White
- Other Refer to Fixtures Price Book for additional colors

#### SPECIFIED MODEL:

Model	Description	Colors/Finishes	
K-5877-4U	4-hole sink (oversized)	<input type="checkbox"/> 0 White	<input type="checkbox"/> Other_____
<b>Optional Accessories</b>			
K-6511	Wire rinse basket	<input type="checkbox"/> 0 White	<input type="checkbox"/> Other_____
K-6507	Hardwood cutting board	<input type="checkbox"/> NA	
K-6011	Bottom basin rack	<input type="checkbox"/> 0 White	<input type="checkbox"/> Other_____
K-8801	Duostrainer sink strainer	<input type="checkbox"/> CP	<input type="checkbox"/> Other_____

#### PRODUCT SPECIFICATION:

The undercounter sink shall be 33" in length and 22" in width. Sink shall be made of cast iron. Sink shall have acid resistant enamel finish. Sink shall be double (high/low) compartment. Sink shall be 4-hole (oversized) drilled. Sink shall be Kohler Model K-5877-4U-\_\_\_\_\_.

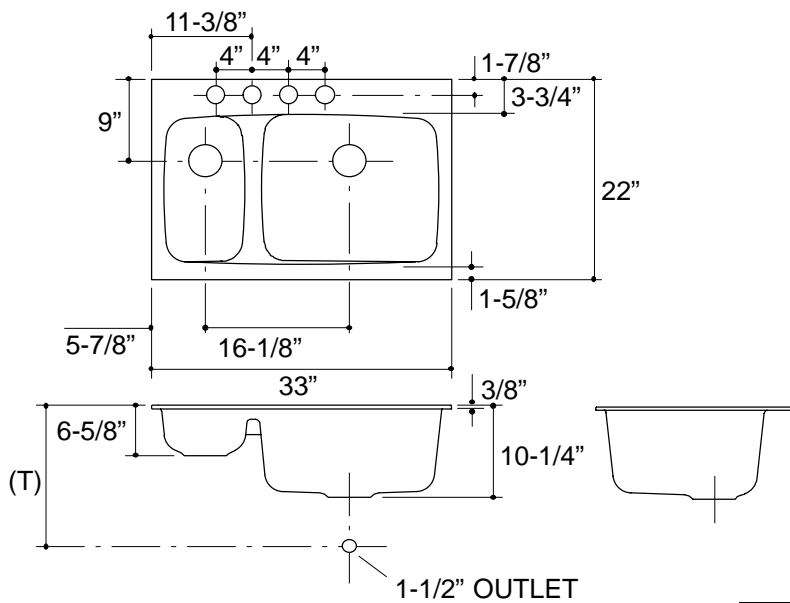
# LAKEFIELD™

## PRODUCT INFORMATION

Fixture*:		basin area	water depth
Sink		19" x 17"	8-3/8"
Disposal		9" x 16"	4-3/4"
Outlet	3-7/8" D.		
Faucet holes	2-3/8" D.		

\* Approximate measurements for comparison only.

Included Components:	
Cutout template	115701-7



ROUGHING-IN NOTES
For disposal unit, consult supplier for roughing-in measurements.
(T) Drain typically 14-7/8".

.75<116

## PRODUCT DIAGRAM