

Ordering Information

Applicable product:		
Single-hole lavatory	K-2269-1	shown
8" centers lavatory	K-2269-8	not shown

Product Information

Fixture*:		basin area	water depth
Lavatory		18" x 14"	5"
Outlet	1-3/4" D.		
* Approximate measurements for comparison only.			

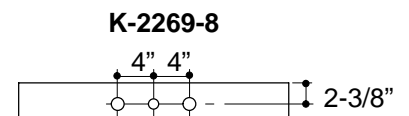
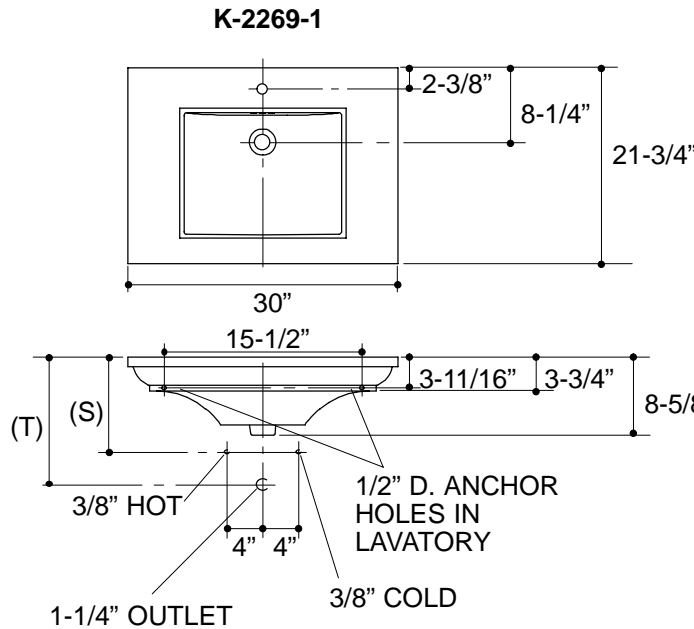
Holes	K-2269-1	K-2269-8	
Spout	1-3/8" D.	1-3/16" D.	
Faucet		1-7/16" D.	

Included Components:	
Adhesive sealant	63034
Lavatory accessory pack	52204
Cutout template	115742-7

Installation Notes

Refer to installation instructions included with fixture before beginning installation.

Roughing-In Notes		
Fixture dimensions are nominal and conform to tolerances in ASME/ANSI Standard A112.19.9M.		
(T) Pop-up drain 14-1/4", grid drain 13-3/8".		
Supply (Based on 12" riser which may require cutting).	K-2269-1	K-2269-8
(S)	10"	14"



.75<116