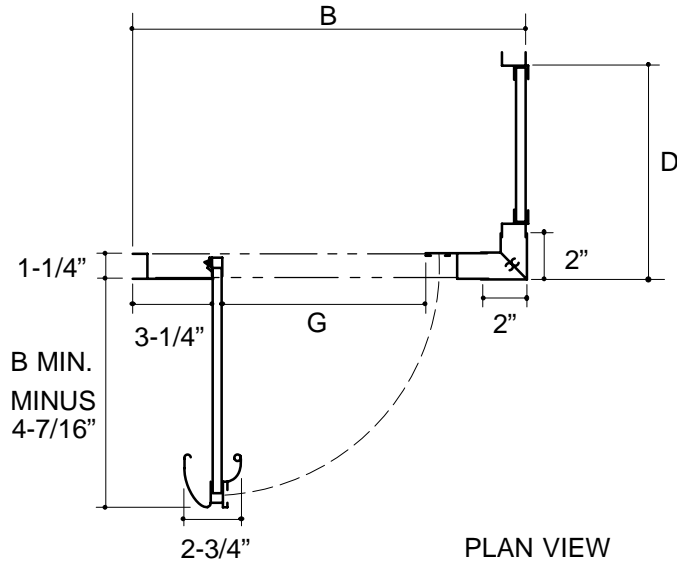


Ordering Information

Applicable product:
Reference models and measurements below.

Installation Notes

Refer to installation instructions included with fixture before beginning installation.



NOTE: KNEE WALL RETURN PANEL
MAY BE ATTACHED ON EITHER SIDE.

Roughing-In Notes	A	B	D	G (MAX.)
K-761200	60"-72"	28"-38"	10"-50"	22"-28"
Custom				
R-Specified when ordered-MAX. 52".				

