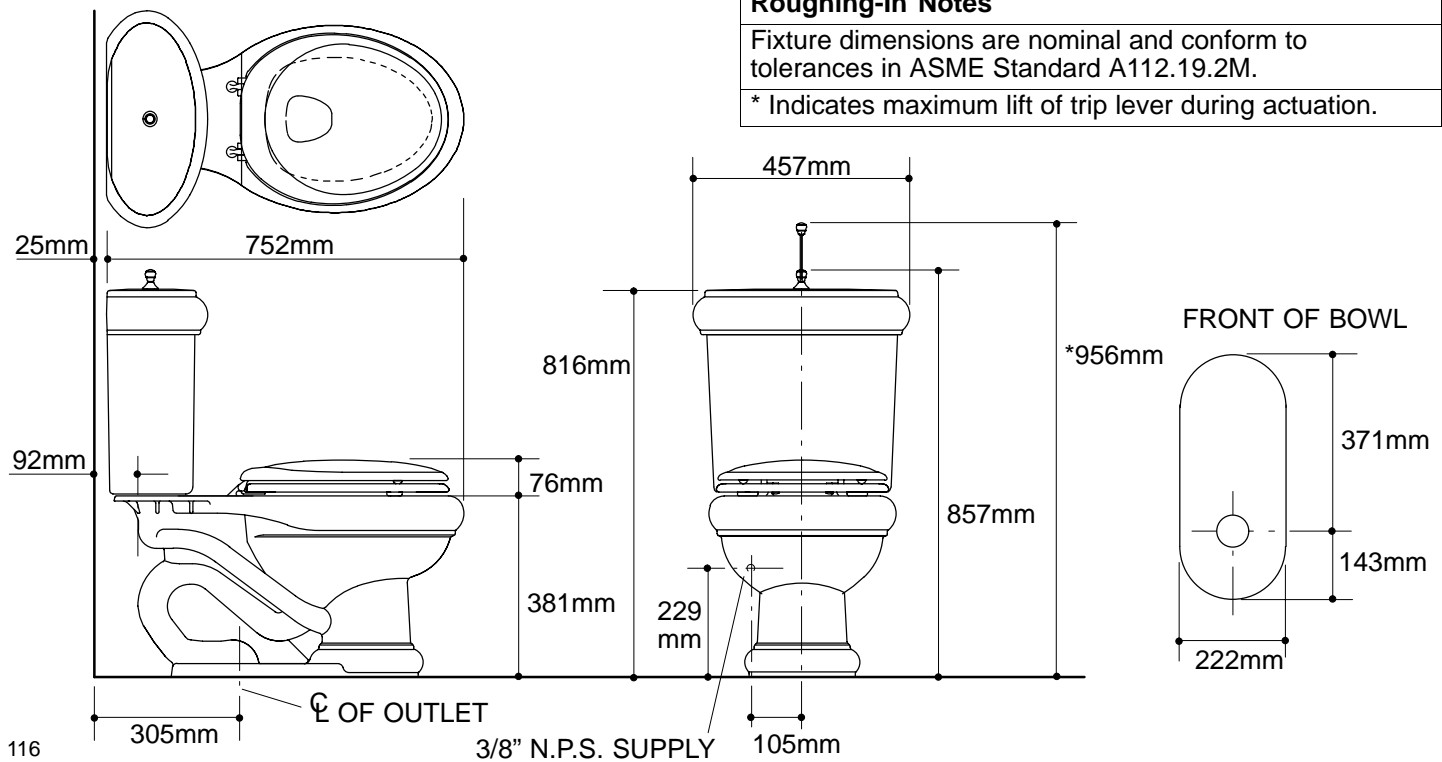


Ordering Information

Applicable toilet:		
Standard tank	K-3555	shown
With polished brass lift knob and seat trim	K-3555-BR	shown
With brushed chrome lift knob and polished chrome seat trim	K-3555-G	shown
Toilet with insuliner tank	K-3555-U	not shown
Accessories/hardware:		
3/8" supply	K-7637	recommended
Floor bolts (pr.)	21401	recommended

Product Information

Fixture:	
Configuration	2-piece, elongated
Litres per flush	6 litres
Passageway	51mm
Water area	260 x 232mm
Water depth from rim	165mm
Seat post hole centers	140mm
Included Components:	
Bowl	K-4355
Tank	K-4445
Tank cover	83037
Seat	83295
Bolt cap accessory pack	52048
Tank accessory pack	52153



Roughing-In Notes
 Fixture dimensions are nominal and conform to tolerances in ASME Standard A112.19.2M.
 * Indicates maximum lift of trip lever during actuation.