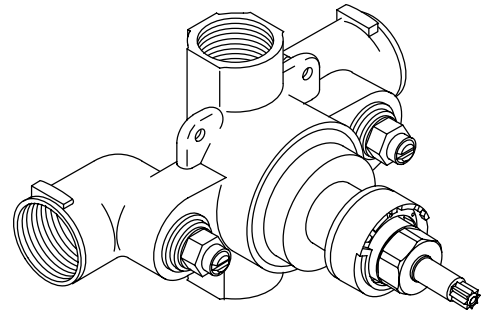


**3/4" THERMOSTATIC MIXER
K-400-K**

FEATURES

- Brass construction
- Wall-mount
- Brass valve body
- High-flow valving
- High-temperature limit stop
- Temperature-balancing mechanism
- Scald hazard protection
- 3/4" N.P.T. connections
- Screwdriver stops
- Cross flow prevention



CODES/STANDARDS APPLICABLE

Specified model meets or exceeds the following:

- ASME/ANSI A112.18.1M
- ASSE/ANSI 1016
- CSA B125
- IAPMO/UPC

COLORS/FINISHES

- NA Not applicable

SPECIFIED MODEL:

Model	Description	
K-400-K	3/4" Thermostatic Mixer Less Volume Control	<input type="checkbox"/> NA

Required Accessories		
K-403-K	3/4" Volume Control Valve (For Use on Bath and/or Shower Outlets)	<input type="checkbox"/> NA
K-9663	Twin Ell (For Use With Diverter Bath Spouts Only)	<input type="checkbox"/> NA

PRODUCT SPECIFICATION:

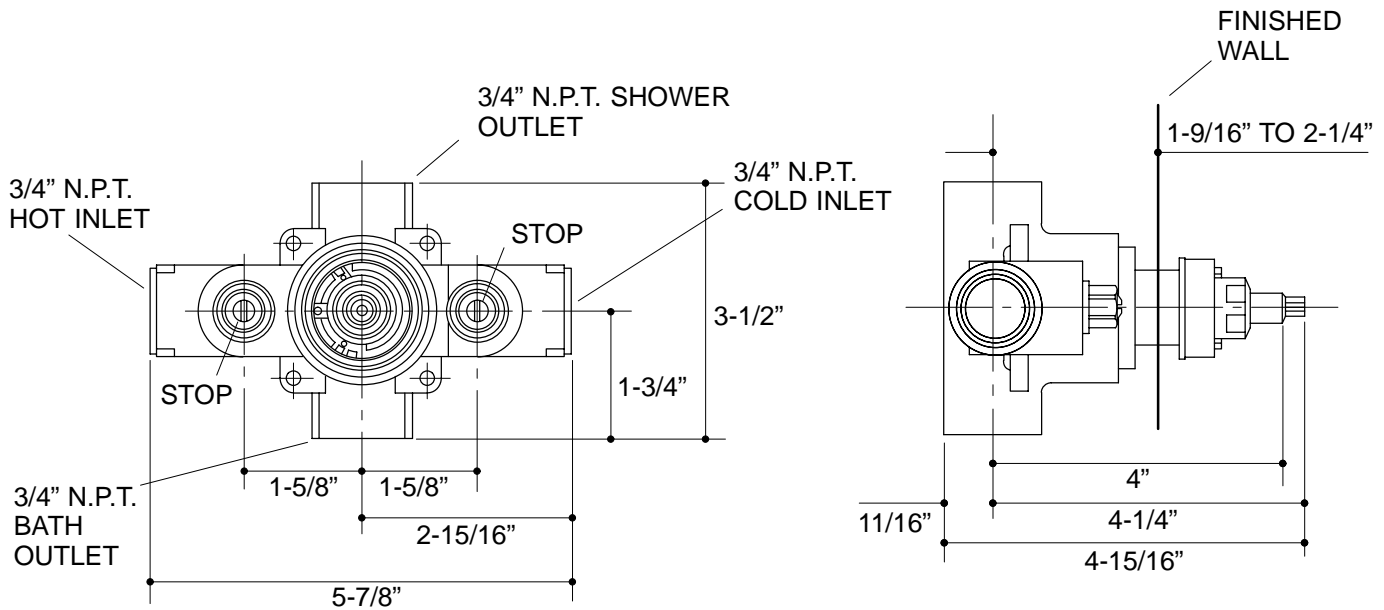
Single-handle wall-mount 3/4" thermostatic mixer shall be of brass construction. The valve shall feature a high-temperature limit stop, and temperature-balancing and scald prevention mechanisms. High-flow valving allows water to flow 11.5 gpm at 45 psi. The valve shall also feature integral screwdriver stops, crossflow prevention, and 3/4" N.P.T. connections. The thermostatic mixer valve shall be Kohler Model K-400-K-NA and volume control valve(s) shall be K-403-K-NA. Optional twin ell, intended for use with diverter bath spouts only, shall be Kohler Model K-9663-NA.

INSTALLATION NOTES

The K-400-K thermostatic mixer valve requires separate K-403-K volume control valves for each bath and/or shower outlet.

For bath-only or shower-only installations, a 3/4" N.P.T. plug is required for the unused outlet.

For installations with diverter spout, a K-9663 twin ell is required between the valve and the spout.



PRODUCT DIAGRAM