

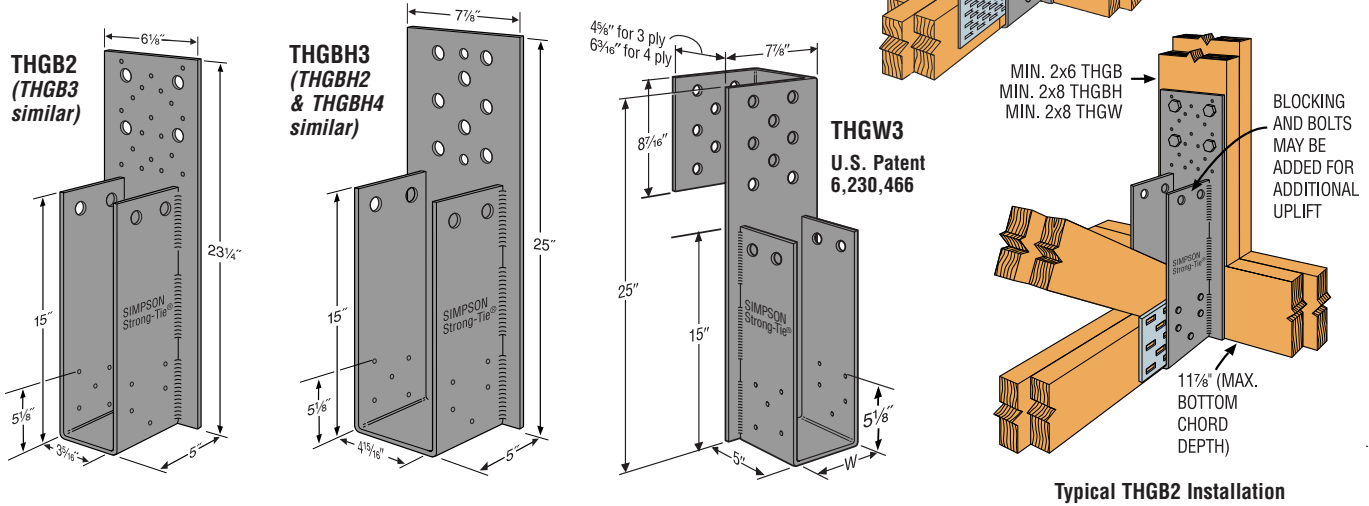
Two models offer higher design load values and optional installation with the SDS Strong-Drive screw.

MATERIAL: 3 gauge. **FINISH:** Simpson gray paint.

INSTALLATION: • Use all specified fasteners. See General Notes.

- All multiple members must be fastened together to act as a single unit.
- Maximum 11⁷/₈" bottom chord in the carrying member to allow for the minimum bolt end distance.
- See page 13 for SDS screws.
- For optional installations see page 158.

CODES: See page 10 for Code Listing Key Chart.



| Model No. | Width (W) | Fasteners | | Length of Fastener in Carrying Member | Doug-Fir/So. Pine Allowable Loads | | | | | Spruce-Pine-Fir Allowable Loads | | | | | Code Ref. |
|----------------------|---------------------------------|--------------------|------------------------|---------------------------------------|-----------------------------------|-------------|------------|------------|------------|---------------------------------|-------------|------------|------------|------------|-----------|
| | | Carried Member | Carrying Member | | Uplift ¹ (133/160) | Floor (100) | Snow (115) | Roof (125) | Wind (133) | Uplift ¹ (133/160) | Floor (100) | Snow (115) | Roof (125) | Wind (133) | |
| THGB2 | 3 ⁵ / ₈ " | 10-10d & 2-3/4" MB | 4-3/4" MB | 3 | 7540 | 5655 | 6505 | 7070 | 7540 | 6400 | 4800 | 5520 | 6000 | 6400 | 160 |
| | | | | 4 1/2 | 8010 | 6235 | 7170 | 7795 | 8315 | 6650 | 5775 | 6640 | 7220 | 7235 | |
| | | | | 6 | 8010 | 6235 | 7170 | 7795 | 8315 | 6650 | 5775 | 6640 | 7220 | 7235 | |
| THGB2 | 3 ⁵ / ₈ " | 10-10d & 2-3/4" MB | 19-SDS 1/4" X 3" | 3 | 8010 | 6385 | 7340 | 7980 | 8510 | 6650 | 5550 | 6380 | 6935 | 7200 | |
| | | | | 4 1/2 | 8010 | 6385 | 7340 | 7980 | 8510 | 6650 | 5550 | 6380 | 6935 | 7200 | |
| | | | | 6 | 8010 | 6385 | 7340 | 7980 | 8510 | 6650 | 5550 | 6380 | 6935 | 7200 | |
| THGBH2 | 3 ⁵ / ₈ " | 10-10d & 2-3/4" MB | 8-3/4" MB | 3 | 8010 | 10010 | 10010 | 10010 | 10010 | 6650 | 7745 | 7950 | 8090 | 8200 | |
| | | | | 4 1/2 | 8010 | 10010 | 10010 | 10010 | 10010 | 6650 | 7745 | 7950 | 8090 | 8200 | |
| | | | | 6 | 8010 | 10010 | 10010 | 10010 | 10010 | 6650 | 7745 | 7950 | 8090 | 8200 | |
| THGB3 | 4 ⁵ / ₈ " | 10-10d & 2-3/4" MB | 4-3/4" MB | 3 | 7540 | 5655 | 6505 | 7070 | 7540 | 6400 | 4800 | 5520 | 6000 | 6400 | |
| | | | | 4 1/2 | 8010 | 6235 | 7170 | 7795 | 8315 | 6650 | 5775 | 6640 | 7220 | 7235 | |
| | | | | 6 | 8010 | 6230 | 7165 | 7795 | 8315 | 6650 | 5775 | 6640 | 7220 | 7235 | |
| THGB3 | 4 ⁵ / ₈ " | 10-10d & 2-3/4" MB | 19-SDS 1/4" X 3" | 3 | 8010 | 6385 | 7340 | 7980 | 8510 | 6650 | 5550 | 6380 | 6935 | 7200 | |
| | | | | 4 1/2 | 8010 | 6385 | 7340 | 7980 | 8510 | 6650 | 5550 | 6380 | 6935 | 7200 | |
| | | | | 6 | 8010 | 6385 | 7340 | 7980 | 8510 | 6650 | 5550 | 6380 | 6935 | 7200 | |
| THGBH3 | 4 ⁵ / ₈ " | 10-10d & 2-3/4" MB | 8-3/4" MB | 3 | 8010 | 10010 | 10010 | 10010 | 10010 | 6650 | 8310 | 8310 | 8310 | 8310 | |
| | | | | 4 1/2 | 8010 | 12000 | 12000 | 12000 | 12000 | 6650 | 9960 | 9960 | 9960 | 9960 | |
| | | | | 6 | 8010 | 12335 | 12335 | 12335 | 12335 | 6650 | 10240 | 10240 | 10240 | 10240 | |
| THGBH4 | 6 ⁵ / ₈ " | 10-10d & 2-3/4" MB | 4-3/4" MB ³ | 3 | 7540 | 5655 | 6505 | 7070 | 7540 | 6400 | 4800 | 5520 | 6000 | 6400 | |
| | | | | 4 1/2 | 8010 | 6235 | 7170 | 7795 | 8315 | 6650 | 5775 | 6640 | 7220 | 7235 | |
| | | | | 6 | 8010 | 6235 | 7170 | 7795 | 8315 | 6650 | 5775 | 6640 | 7220 | 7235 | |
| THGBH4 | 6 ⁵ / ₈ " | 10-10d & 2-3/4" MB | 6-3/4" MB ³ | 3 | 8010 | 8410 | 9565 | 9565 | 9565 | 6650 | 7135 | 7940 | 7940 | 7940 | |
| | | | | 4 1/2 | 8010 | 9310 | 9565 | 9565 | 9565 | 6650 | 7940 | 7940 | 7940 | 7940 | |
| | | | | 6 | 8010 | 9280 | 9565 | 9565 | 9565 | 6650 | 7940 | 7940 | 7940 | 7940 | |
| THGBH4 | 6 ⁵ / ₈ " | 10-10d & 2-3/4" MB | 8-3/4" MB | 3 | 8010 | 10010 | 10010 | 10010 | 10010 | 6650 | 8310 | 8310 | 8310 | 8310 | |
| | | | | 4 1/2 | 8010 | 12425 | 14050 | 14050 | 14050 | 6650 | 11510 | 11660 | 11660 | 11660 | |
| | | | | 6 | 8010 | 12425 | 14050 | 14050 | 14050 | 6650 | 11510 | 11660 | 11660 | 11660 | |
| THGW3-3 ⁴ | 4 ⁵ / ₈ " | 10-10d & 2-3/4" MB | 8-3/4" MB | 4 1/2 | 8010 | 21830 | 21830 | 21830 | 21830 | 6650 | 18120 | 18120 | 18120 | 18120 | |
| 6 | | | | 8010 | 21830 | 21830 | 21830 | 21830 | 6650 | 18120 | 18120 | 18120 | 18120 | | |
| THGW4-3 ⁴ | 6 ⁵ / ₈ " | 10-10d & 2-3/4" MB | 8-3/4" MB | 4 1/2 | 8010 | 24165 | 24165 | 24165 | 24165 | 6650 | 20055 | 20055 | 20055 | 20055 | |
| 6 | | | | 8010 | 24165 | 24165 | 24165 | 24165 | 6650 | 20055 | 20055 | 20055 | 20055 | | |

1. Uplift loads include a 133% and 160% increase, no further increase allowed; reduce where other loads govern. A 2 ply minimum truss is required. When using 10-10d nails only for carried member, uplift is 1960 lbs for Doug-Fir/So. Pine and 1625 lbs for Spruce-Pine-Fir.
 2. SDS 1/4" X 3" must have a minimum 2 ply member.

3. Bolts must be installed symmetrically using less than 8 bolts on the 8-bolt backplate.
 4. Loads for THGW models are based on end grain bearing.

5. Minimum fasteners 10-10d will achieve the down loads and the corresponding uplift (see footnote 1). To achieve maximum uplift, install nails and bolts listed in the table.
 6. Wind (133) is a download rating.