

TOP FLANGE HANGERS GLS/HGLS/GLT/HGLT

BEAM AND GLULAM SADDLE HANGERS

See table on page 106. See Hanger Options on page 164 for hanger modifications, which may result in reduced loads.

GLT and HGLT accommodate typical structural requirements for timber and glulam beams. GLT top flange depth allows installation on minimum 4x ledger (3½" net). Funnel flanges allow easy installation of beams.

GLS and HGLS are heavy glulam saddle hangers. Tested and code-listed seismic tie provisions are added to the GLS or HGLS—order GLST or HGLST. **The seismic tie models use three extra ¾" bolts through each carried member and two ¾" bolts through the supporting member.** Bolt holes shall be a minimum of ½" to a maximum of ¼" larger than the bolt diameter (1997 NDS, sec. 8.1.2.1.).

MATERIAL: See table on page 106.

FINISH: Simpson gray paint. Hot-dip galvanized available; specify HDG.

INSTALLATION: • Use all specified fasteners. See General Notes.

GLT/HGLT: All GLTs used with sawn timbers have a 12" L dimension.

- Fasteners are included.
- GLT may be attached to steel headers by ¾" x 2½" fillet welds at each end of the header angle to obtain the tabulated loads. HGLT may be attached to steel headers by ¼" x 2½" fillet welds at each end of the header angle to obtain the lesser of the tabulated loads or 12,000 lbs. Uplift loads do not apply to this weld-on application. See page 11 for weld information.

• Not for use with SCL or LVL headers. See GLTV, HGLTV.

GLS/HGLS: N54A nails are included with the hangers.

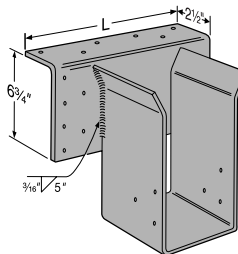
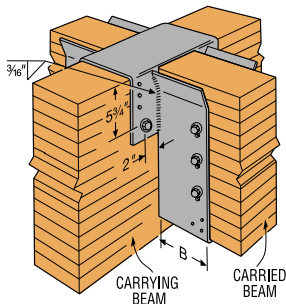
- Seismic Ties: the carried member bolts should be located in the upper half of the 1¾" x 1½" slotted holes. Standard washers must be used with all bolts.

• Loads listed are per stirrup.

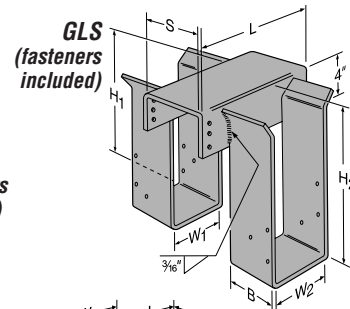
TO ORDER: GLS/HGLS—Specify H₁ and H₂ (see illustration).

OPTIONS: See Hanger Options page 164.

Funnel Flanges ease installation

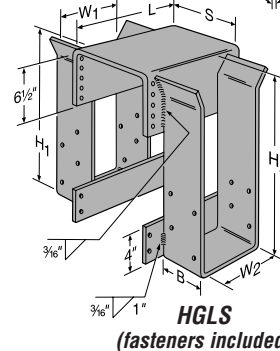


HGLT
(fasteners included)

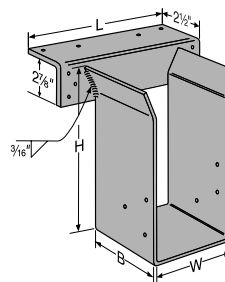


GLS
(fasteners included)

| Model | Top Flange Ga | Stirrup Width (W) | Top Flange Length (L) |
|-------|---------------|--|--------------------------------|
| GLT | 3 | 2 ⁵ / ₈ - 5 ¹ / ₂ | 10 |
| | | 5 ⁹ / ₁₆ - 6 ⁷ / ₈ | 12 |
| HGLT | 3 | 2 ⁵ / ₈ - 8 ¹ / ₄ | 12 |
| | | 8 ⁷ / ₈ | 14 |
| GLS | 3 | 3 ³ / ₄ | 6 |
| | | 5 ¹ / ₄ | 9 |
| | | 6 ⁷ / ₈ | 12 |
| HGLS | 3 | 5 ¹ / ₄ - 8 ⁷ / ₈ | 12 |
| GLST | 3 | 3 ³ / ₄ | 10 ³ / ₈ |
| | | 5 ¹ / ₄ | 12 ³ / ₈ |
| | | 6 ⁷ / ₈ | 13 ³ / ₄ |
| | | 5 ¹ / ₄ | 12 ³ / ₈ |
| HGLST | 3 | 6 ⁷ / ₈ | 13 ³ / ₄ |
| | | 8 ⁷ / ₈ | 15 ³ / ₄ |



HGLS
(fasteners included)



GLT
(fasteners included)

GLT Installed with Glulam Beams (HGLST similar)
When H dimension is less than 18", product is supplied with seismic straps. **No options on GLST and HGLST.**