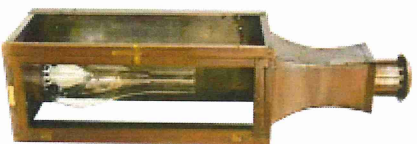


**BEVOLO**  
- established 1945 -  
GAS & ELECTRIC LIGHTS

Quantity ②



## GOVERNOR®

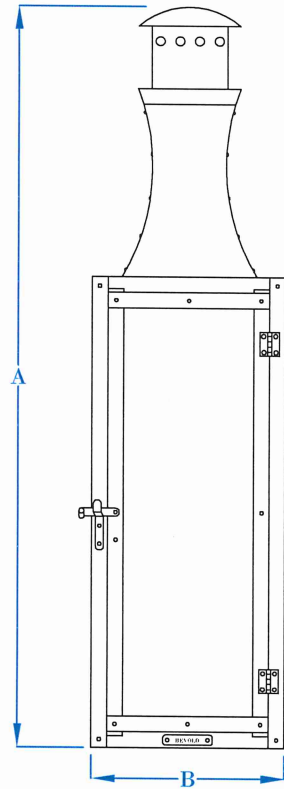
### FLUSH MOUNT

The Bevolo Governor® Lantern is inspired by a historic colonial fixture design. The fixture's tall masculine nature complements a number of architectural styles. It is best when used to address vertical architectural elements such as columns and French doors. The Governor® flush mount is available in natural gas, liquid propane, and electric.

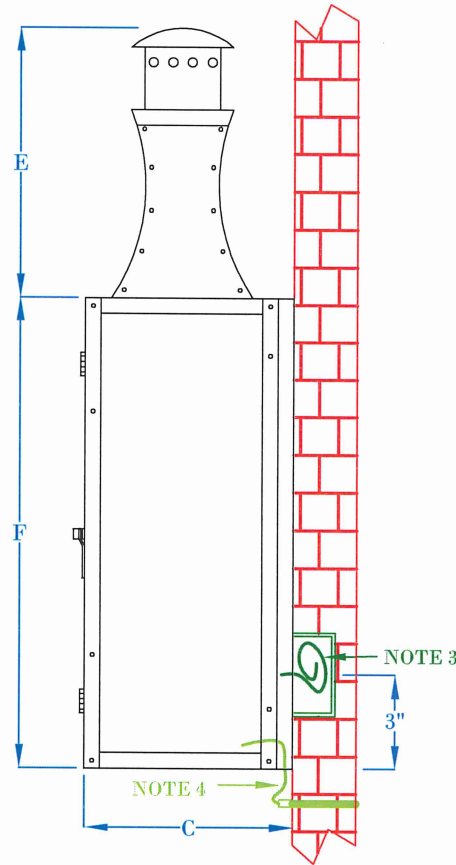
#### Standard Lantern Sizes

Height	Width	Depth
24.0"	6.0"	6.5"
30.0"	7.5"	8.0"
36.0"	9.0"	9.5"

QTY. (2)



FRONT VIEW  
(NTS)



SIDE VIEW  
(NTS)

NOTES:

1. MOUNTING HARDWARE SUPPLIED BY OTHERS
2. FIXTURES ARE HANDCRAFTED. DIMENSIONS MAY VARY PLUS OR MINUS  $\frac{1}{4}$ "
3. ELECTRIC LIGHTS SUPPLIED WITH 18/2 WIRE WITH GROUND
4. GAS LIGHTS SUPPLIED WITH  $\frac{3}{16}$ " COPPER GAS LINE AND  $\frac{3}{16}$ " x  $\frac{1}{4}$ " GAS LINE ADAPTOR

SIZE:	24"	30"	36"
A:	23 $\frac{3}{8}$ "	29 $\frac{1}{2}$ "	36"
B:	6"	7 $\frac{1}{2}$ "	9"
C:	6 $\frac{1}{2}$ "	8"	9 $\frac{1}{2}$ "
E:	8 $\frac{3}{8}$ "	10 $\frac{3}{4}$ "	13 $\frac{1}{2}$ "
F:	15"	18 $\frac{3}{4}$ "	22 $\frac{1}{2}$ "

# BEVOLO GAS & ELECTRIC LIGHTS

LIGHT:		GOVERNOR		DATE:	APP. BY:	JJG	<small>COPYRIGHT 2011, BEVOLO GAS &amp; ELECTRIC LIGHTS. THIS DRAWING AND ANY DESIGN OR DATA CONTAINED THEREIN ARE CONSIDERED PROPERTY OF BEVOLO GAS AND ELECTRIC LIGHTS. NEITHER THE DRAWING NOR ITS CONTENT MAY BE COPIED, REPRODUCED, OR EDITED TO A LIKENESS WITHOUT THE WRITTEN CONSENT OF BEVOLO GAS AND ELECTRIC LIGHTS.</small>
BRACKET:		FLUSH MOUNT		12-30-11	REVISION:	MAJ	
						2	

**SPEC SHEET**

974.2

TT Single Sconce  
Item # SL 2860PN

Designer: E. F. Chapman

Height: 18"

Width: 4"

Extension: 7"

Backplate: 4" x 6" Rectangle

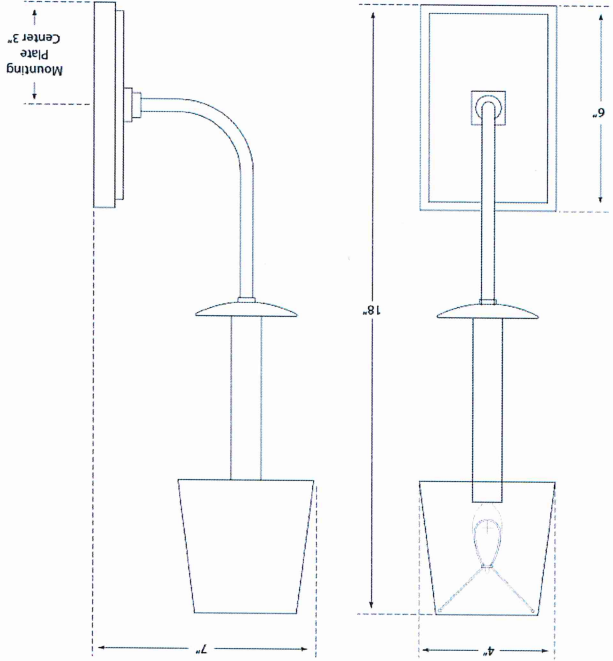
Finishes: AN, BZ, HAB, PN

Socket: E12 Candelabra

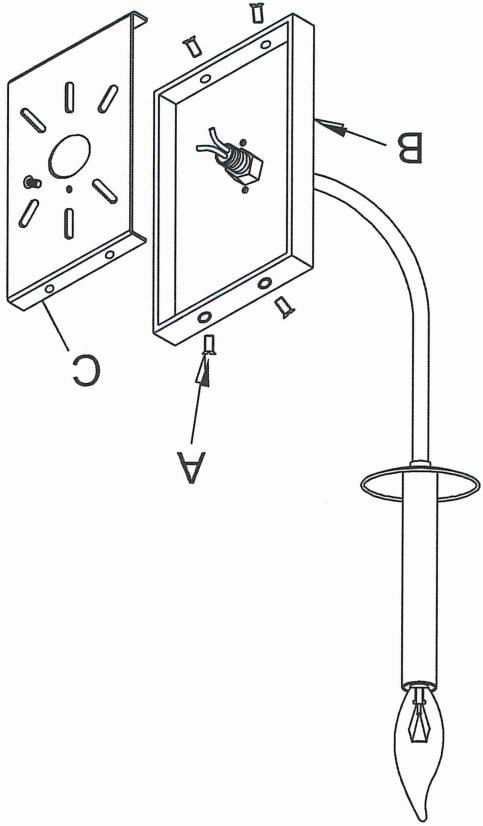
Wattage: 60 C

Note: CHS104NP Shade Sold Separately / Use 40 Watt  
Frosted Type "B" with Clip On Shade

©EFC DESIGNS



# ASSEMBLY INSTRUCTIONS



1. Take off the four mounting screws (A) from the back-plate (B).
2. Install (C) to the wall with wood screws or outlet box screws.
3. Connect the electrical wires making sure all wire nuts are secured. You may have to wrap the connections with electrical tape. If your junction has a ground wire (green or bare copper), connect the fixture's ground wire to it. Otherwise connect fixture's ground wire directly to the junction box.
4. Secure the fixture with the four mounting screws (A) to (C), then tighten them.
5. Insert light bulb (not included) into socket.
6. Return the power and test fixture.

WE RECOMMEND INSTALLATION OF THIS LIGHTING FIXTURE BE DONE BY A LICENSED ELECTRICIAN.  
WARNING \*\*\* SWITCH OFF THE MAIN ELECTRICAL SUPPLY FROM THE MAIN FUSE BOX/CIRCUIT BREAKER BEFORE INSTALLATION.  
INSPECT ITEM CAREFULLY BEFORE ATTEMPTING TO INSTALL. IF THERE IS ANY DAMAGE OR OBVIOUS DEFECT, DO NOT INSTALL.  
ITEM MAY NOT BE RETURNED ONCE IT HAS BEEN INSTALLED.

TT Single Sconce  
Item # SL2860

QTY 2





# 5" TRIM SERIES BAFFLES

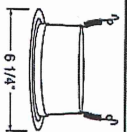
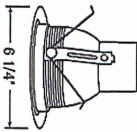
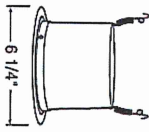
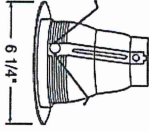
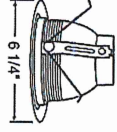
quantity - 4

Project: \_\_\_\_\_

Fixture Type: \_\_\_\_\_

Location: \_\_\_\_\_

Contact/Phone: \_\_\_\_\_

Trim Series	Dimensions	Aperture	Catalog No.	Housing/Lamp Compatibility
Downlight Baffle		4 3/8"	205W-WH - White Baffle, White Trim	IC20/IC20W/IC20S/IC20R: 50W PAR30
			205B-WH - Black Baffle, White Trim	TC20/TC20S/TC20R: 75W PAR30, 65W BR30
			205B-ABZ - Black Baffle, Classic Aged Bronze Trim	IC20LEDG4/IC20RLEDG4/IC20IWDG4N/IC20RLEDG4N Series
			205B-SC - Black Baffle, Solin Chrome Trim	IC920LEDG4/IC920RLEDG4/IC920IWDG4/IC920RLEDG4 Series
			Compatible with TR5, 5" Trim Ring	IC1420LEDG4 Series, TC1420LED4 Series TC920LEDG4 Series
Enclosed Baffle		4 3/8"	215W-WH - White Baffle, White Trim	IC20/IC20W/IC20S/IC20R: 65W BR30, 75W PAR30L, 75W PAR30 with Socket Extender
			215B-WH - Black Baffle, White Trim	IC20N/IC20NW: 65W BR30
			203B-WH - Black Baffle, White Trim	TC20/TC20S/TC20R: 85W BR30, 75W PAR30L, 75W PAR30 with Socket Extender, 60W A19
			Compatible with TR5, 5" Trim Ring	ICPI/PL526: 26W, ICP/PL518: 18W, ICP/PL513: 13W
Deep Baffle		4 1/2"	203W-WH - White Baffle, White Trim	TC20/TC20S/TC20R: 75W PAR30, 65W BR30
			203B-WH - Black Baffle, White Trim	
			Compatible with TR5, 5" Trim Ring	
Reflector with Baffle		4 3/8"	218W-WH - White Baffle, White Trim	ICPI/PL526: 26W, ICP/PL518: 18W, ICP/PL513: 13W
			218B-WH - Black Baffle, White Trim	
Shallow Baffle		4 3/8"	275W-WH - White Baffle, White Trim	IC25/IC25W/IC25S/IC25R: 50W BR30, 50W PAR30,
			275B-WH - Black Baffle, White Trim	50W PAR30L
			5" Trim Ring compatible with 203, 205 trims	
			TR5-WH - White	
			TR5-BL - Black	
			TR5-SC - Solin Chrome	
			TR5-ABZ - Classic Aged Bronze	



1300 S. Wolf Road • Des Plaines, IL 60018 • Phone (847) 827-9880 • Fax (847) 827-2925  
220 Chrysler Drive • Brampton, Ontario • Canada L6S 6B6 • Phone (905) 792-7335 • Fax (905) 792-0064  
Visit us at [www.junolightinggroup.com](http://www.junolightinggroup.com)

Printed in U.S.A. ©2015 Juno Lighting, LLC.



PTV. 4-

# S9148

8.5BR30/LED/2700K/650L/D  
8.5 watt; BR30 LED; 106° beam spread; 2700K; Medium base;  
120 volts; Dimmable



- Features
- Repackaged display of 48 single packs
  - 65W replacement
  - 2700K Warm white
  - Dimmable
  - Damp location

- Top 3 Compatible Dimmers
- Lutron® CT-600P
  - Leviton® 6674 Universal
  - Leviton® IPL06 Universal

S9148

Item Number	UPC	Voltage	Watts	Incandescent Equivalent	Power Factor	Lamp Shape	Base	
S9148	045923091483	120	8.5	65W	0.95	BR30	Medium	
ANSI Base	Lamp Code	Finish	MOL In Inches	MOD In Inches	Initial Lumens	Average Rated Hours	Kelvin Temp	
E26	8.5BR30/LED/2700K/650L/D	Frosted	5 3/16"	3.75"	650	25000	2700	
Color	CRI	Beam Spread	Pack	Package Type	ENERGY STAR	RoHS Compliant	UL or ETL Listed	
Warm White	80	106	48	Box	ENERGY STAR	Yes	Yes	
UL Classification							Warranty	
Damp							3 Year Limited	



National Toll-Free:  
800.43.SATCO  
(800.437.2826)  
www.satco.com

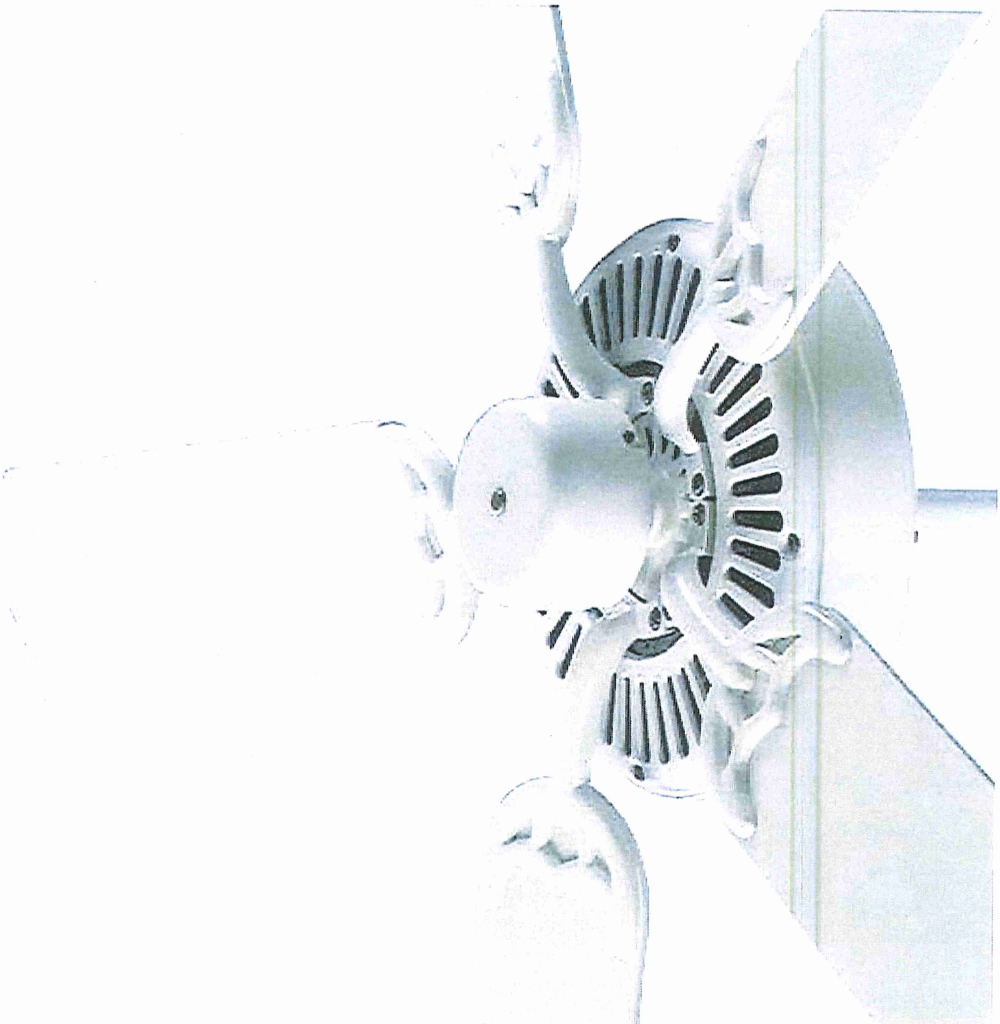
Distribution Centers:  
New York, Florida, Texas,  
Washington, California,  
Puerto Rico

Corporate Offices:  
110 Heartland Blvd,  
Brentwood, NY 11717  
800.437.2826 631.243.2022  
Fax: 631.243.2027



1 FAN.

## Ceiling Fan



# 77525-67

### Item Specs:

Antique White Ceiling Fan  
Antique White blades

### Specifications:

.57/.39/.21 AMPS on H - L | 70/30/9 WATTS on H - L | 180/120/63 RPM on H - L | 153x15mm Motor  
Size | 14 Poles | Limited Lifetime Motor Warranty | 80 | 11.5-Degree Blade Pitch | Blade Type: 1-52 /  
Blade Tip: pointed

# MINIKA-LAVERY®

Job Name:	
Job Type:	
Quantity:	

Family:	N/A
Product Category:	Flush Mount
Item#:	1010-44-PL
Finish:	WHITE
Certification:	E185183 ABI

## Lamping

Light Type:	T8-17w,G13,Fluorescent Tube
Socket Type:	G13, (T8)
Max Wattage:	17
Bulbs Included:	N
Dimmable:	N
CRI:	N/A
Color Temp:	N/A
Initial Lumens:	N/A
Delivered Lumens:	N/A
Rated Life Hours:	N/A
Photo Cell Included:	N/A
Ballast:	N/A

## Shipping

Carton Weight:	4.95
Carton Width:	8.63
Carton Height:	4.5
Carton Length:	28.75
Carton Cubic Feet:	0.65
Master Pack:	4
Master Pack Weight:	20.61
Master Pack Width:	19
Master Pack Height:	9.38
Master Pack Length:	29.25
Master Cubic Feet:	3.017
*Multi-Pack:	1
Small Package Shippable:	Y

## Measurements

Width:	25
Height:	2.5
Length:	N/A
Min Overall Height:	N/A
Max Overall Height:	N/A
Height Adjustable:	N
Extension:	6.75
Net Weight:	13.16
Back Plate/Canopy Width:	N/A
Back Plate/Canopy Height:	N/A
Canopy Length:	N/A
Center to Top of Fixture:	N/A
Center to Bottom of Fixture:	N/A
Slope:	N
Chain Length:	N/A
Wire Length:	7

## Shade

*Shade Description:	White Acrylic
*Shade Material:	Acrylic
*Shade Quantity:	1
*Shade Number:	G1010
*Shade Width:	N/A
*Shade Height:	N/A
*Shade Length:	N/A

## Miscellaneous

Safety Cable Included:	N
------------------------	---

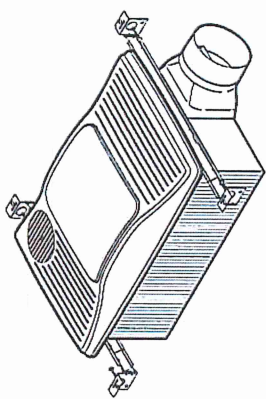
\*For additional information, please contact Customer Care: 1-800-221-7977.

Product depicted on this spec sheet is protected by United States Federal and/or State laws including US Patent, Trademark and/or Copyright and unfair competition laws. Unauthorized reproduction or use carries severe legal penalties.



PTV. ①

# MODEL 100HL VENTILATION FAN WITH LIGHT AND HEATER



### FEATURES

#### GRILLE & LIGHTING:

- White polymeric grille
- Snap-in light diffusing lens
- Bright incandescent lighting, uses one 100-watt (max.) A19 lamp

#### VENTILATOR:

- Resilient anti-vibration mounts
- Plug-in, permanently lubricated motor
- High performance blower wheel

#### HEATER:

- 1500 watts, with metal blower wheel for efficient, even heating
- Rotatable heater grille - direct heat where needed
- Plug-in, permanently lubricated motor - functions independent of ventilator

#### HOUSING:

- Rugged galvanized steel housing
- Polymeric, 4" round damper/duct connector
- 5-7/8" height allows for 2" x 6" (nominal) joist installations
- Sturdy, easy, four-point mounting direct to joist
- Hanger bars allow housing to be positioned anywhere between 16" to 24"-on-center joists
- Suitable for use in insulated ceilings (Type I.C.).
- Use Model 66V (Ivory) / 66W (White) Three Function Control

**NOTE:** This product must be mounted in a flat ceiling only. Installation in ceilings 9-foot high or less will provide maximum comfort. Do not mount this product in a wall.

### TYPICAL SPECIFICATION

Combination unit shall be Broan Model 100HL. Unit shall have galvanized steel housing and adjustable mounting brackets.

Unit must be rated to handle a 100-watt (max.) lamp. Fan, heater, and light shall be separately controllable.

Motor shall be permanently lubricated.

Heater to deliver 1500 Watts of fan-forced heat.

Air delivery shall be no less than 100 cfm and sound levels no greater than 2.0 sones . All air and sound ratings shall be certified by HVI.

Unit shall be UL listed.

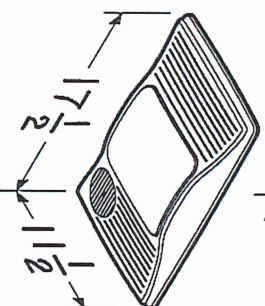
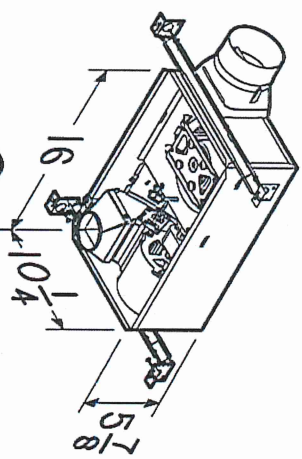
Combination unit to be suitable for use in insulated ceilings. (Type I.C.)

MODEL	VOLTS	AMPS	STATIC PRESSURE	CFM	SONES	DUCT
100HL	120	14.0 *	0.10	100	2.0	4" Round
			0.25	85		

\* Requires a dedicated 20-Amp circuit.



HVI-2100 CERTIFIED RATINGS comply with new testing technologies and procedures prescribed by the Home Ventilating Institute, for off-the-shelf products, as they are available to consumers. Product performance is rated at 0.1 in. static pressure, based on tests conducted in a state-of-the-art test laboratory. Sones are a measure of humanly-perceived loudness, based on laboratory measurements.



REFERENCE

QTY.

REMARKS

Project

Location

Architect

Engineer

Contractor

Submitted by

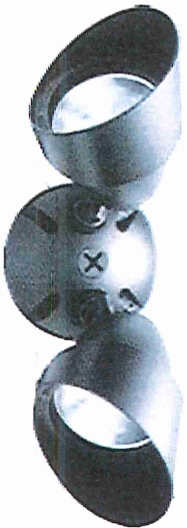
Date

Broan-NuTone LLC Hartford, Wisconsin www.broan.com 800-558-1711

**QB2A**

QTY: (3)

**RAB**  
LIGHTING



Twin 75 Watt Quartz Bullet floods come pre-assembled and pre-wired on C103 mounting plate. Lamps supplied.

Color: Bronze

Weight: 2.1 lbs

<b>Project:</b>	<b>Type:</b>
<b>Prepared By:</b>	<b>Date:</b>

Lamp Info		Ballast Info	
Type:	T-4	Type:	N/A
Watts:	75W	120V:	N/A
Shape/Size:	N/A	208V:	N/A
Base:	N/A	240V:	N/A
ANSI:	N/A	277V:	N/A
Hours:	1,500	Input Watts:	75W
Lamp Lumens:	1,500		
Efficacy:	20 LPW		

**Technical Specifications**

**Listings**

**UL Listing:**

Suitable for wet locations. Suitable for mounting within 1.2m (4ft) of the ground.

**Construction**

**Housing:**  
Precision die cast aluminum. 1/2" NPS threaded arm with locking swivel and EZ Grip lock nut fits all standard mounting covers.

**Lens Gasket:**

High temperature silicone gasket stays in place during relamping.

**Reflector:**

Semi-specular anodized aluminum.

**Lens:**

Thick, tempered glass.

**Finish:**

Our environmentally friendly polyester powder coatings are formulated for high-durability and long-lasting color, and contains no VOC or toxic heavy metals.

**Installation:**

Twin 75w Flood Kit pre-assembled on C103 plate for easy installation.

**Electrical**

**Sockets:**

Porcelain bi-pin GY 8 base with gold plated contacts and 250° C socket wires.

**Other**

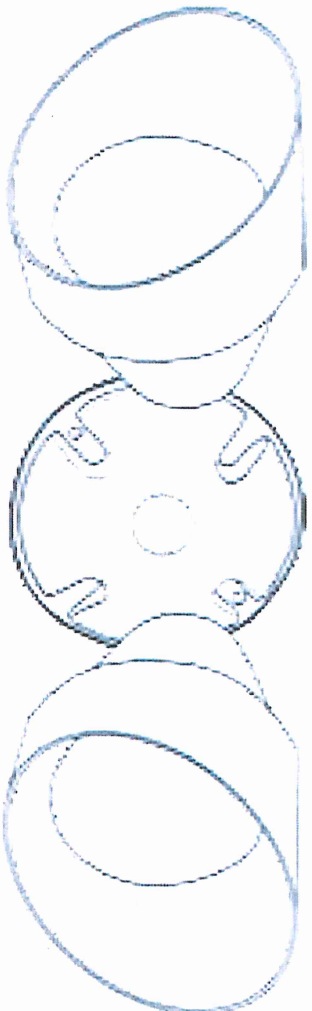
**Replacement Lamps:**

PH.3

# QB2A



## Dimensions



16"  
40.7 cm

## Features

- Integra Hood
- Glare Shield
- minimizes side glare
- and hood can be rotated
- Highest quality 120 volt quartz lamp included
- Thick, tempered glass lens with silicone O-ring gasket
- External and internal heat dissipating fins
- Arm with locking teeth lightens securely with just finger pressure
- Gold contacts prevent lamp and socket fusion due to electrolytic corrosion
- Internal and external heat dissipating fins for cooler operation to extend lamp and fixture life

Need help? Tech help line: 888 RAB-1000 Email: sales@rabweb.com Website: www.rabweb.com  
Copyright © 2014 RAB Lighting Inc. All Rights Reserved Note: Specifications are subject to change at any time without notice

