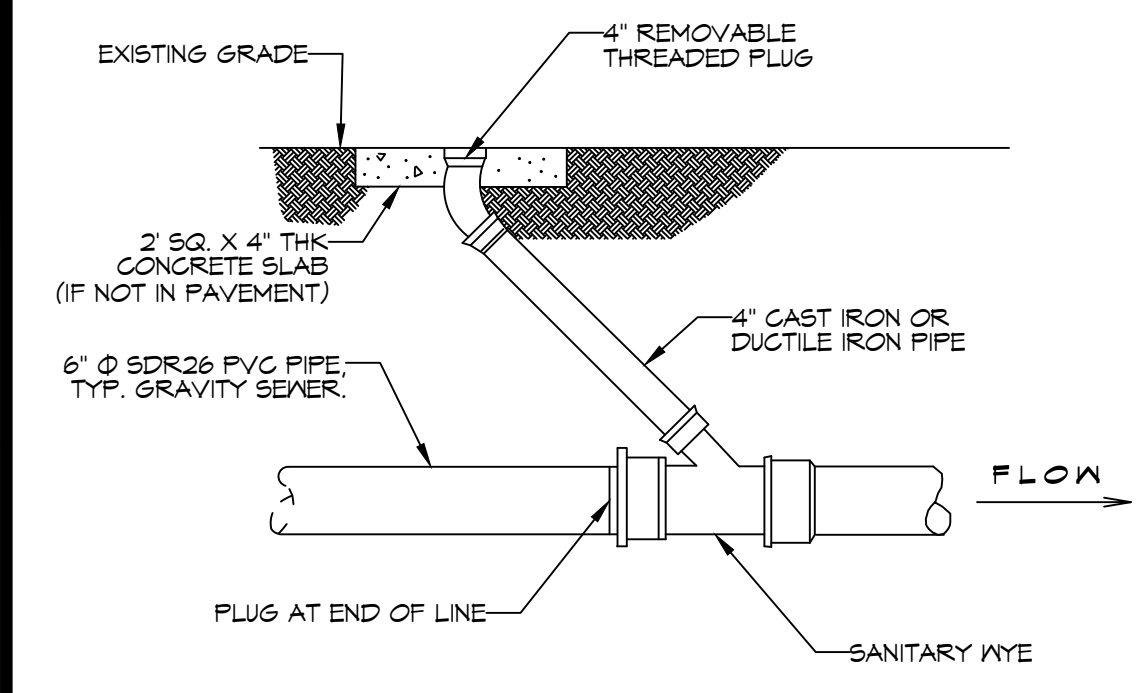


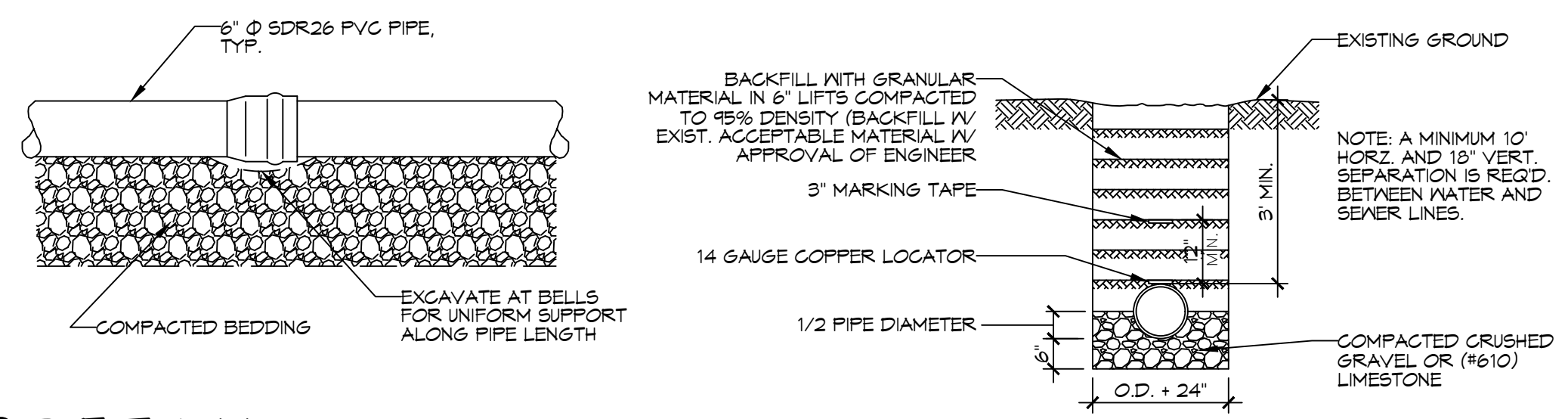
FILE NAME: J:\Projects\2025\2502 - Pope John Paul II High School Auditorium\Drawings\C102 - Site Utilities.dwg
 DATE: 01-20-2025
 TIME: 10:58:11 AM
 PLOT DATE: 01-20-2025
 PLOT TIME: 10:58:11 AM
 PLOT SCALE: 1"=40'-0"
 PLOT SHEET: 4 of 17

A DETAIL
SCALE: N.T.S.



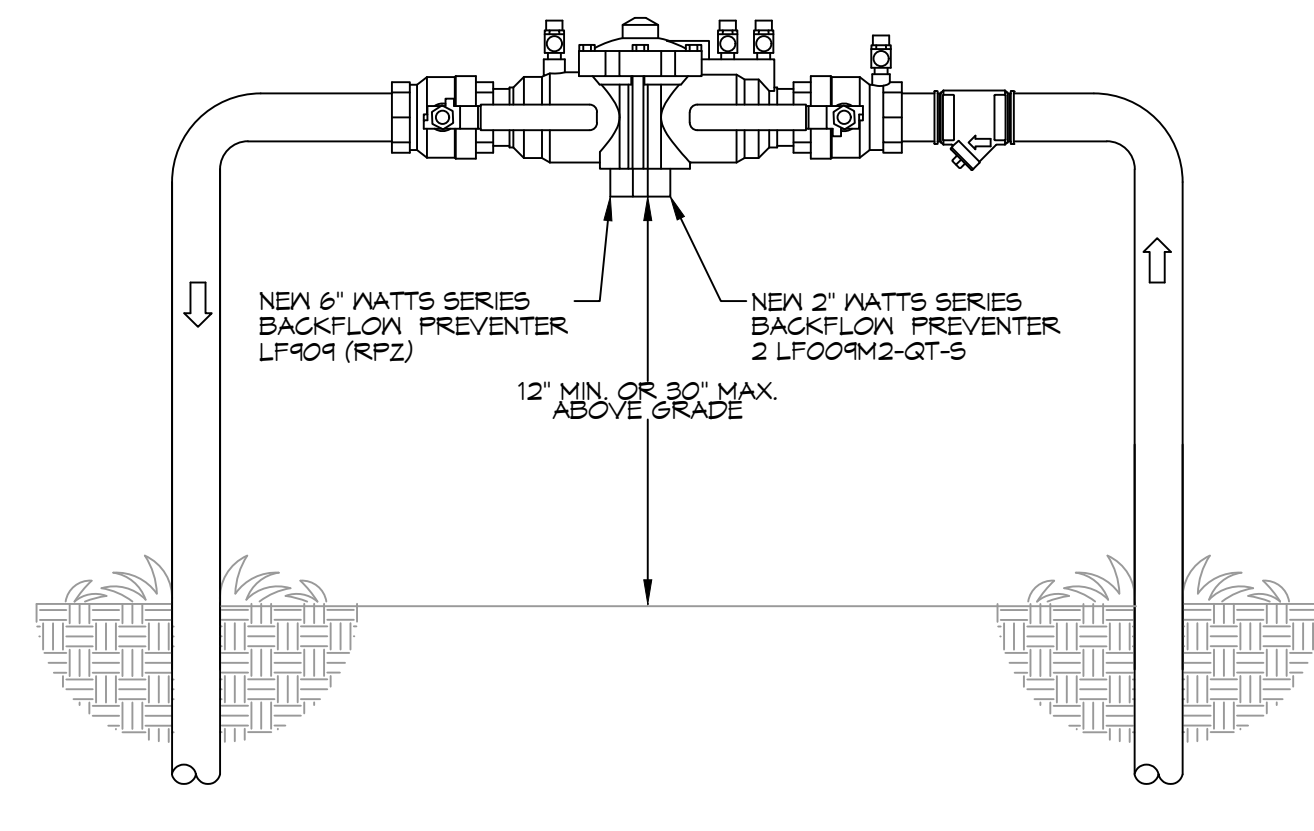
THROUGH FLOW CLEAN OUT DETAIL

B DETAIL
SCALE: N.T.S.



PIPE BEDDING DETAIL FOR SEWER AND WATER

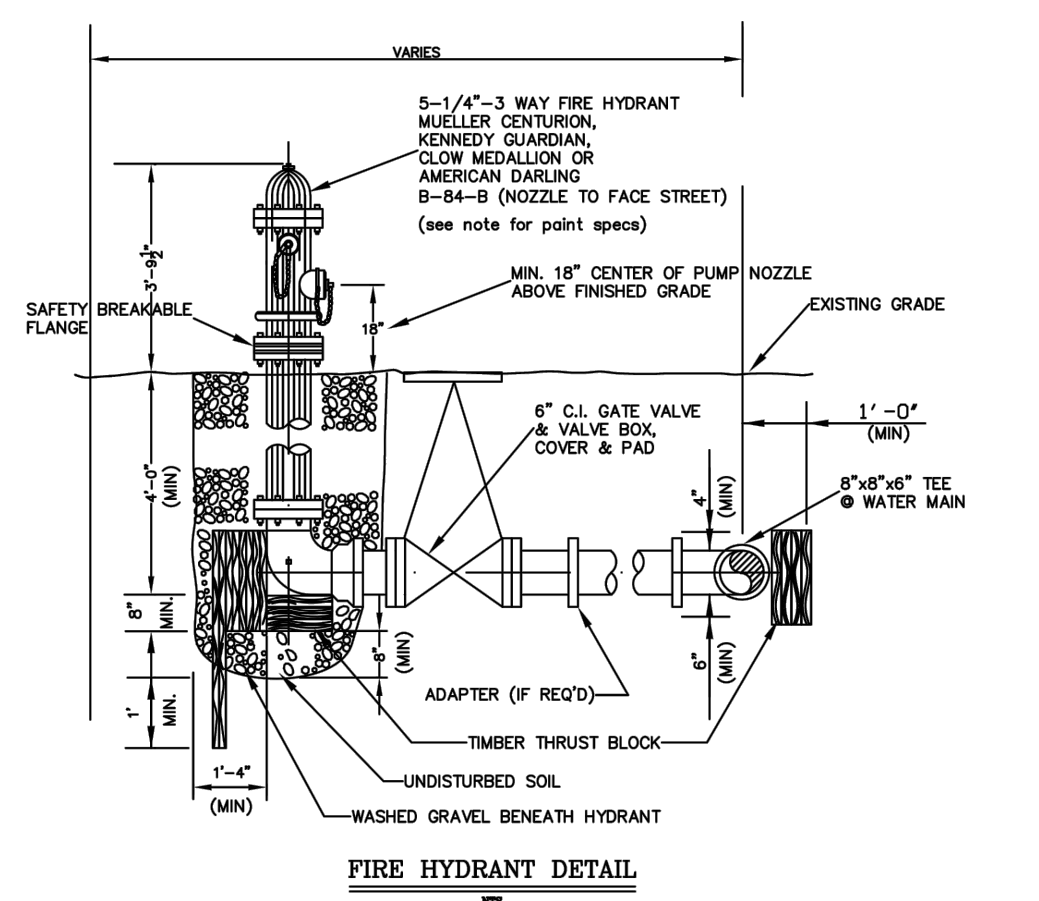
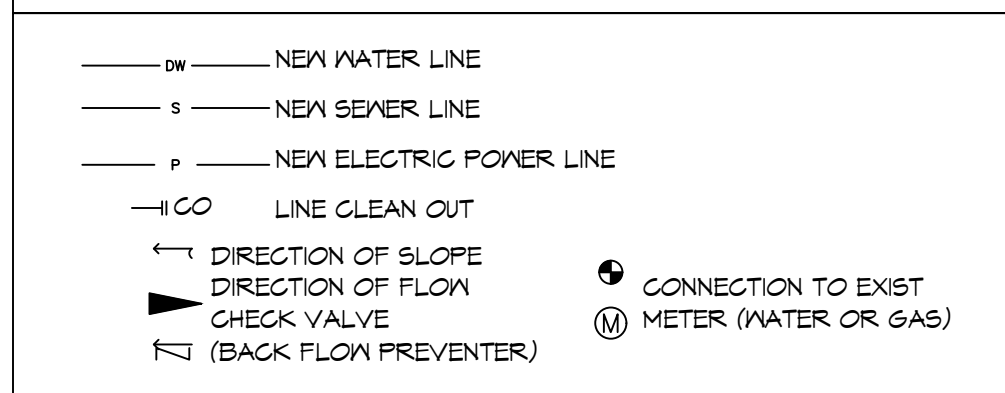
3 TYPICAL RISER DETAIL
SCALE: N.T.S.



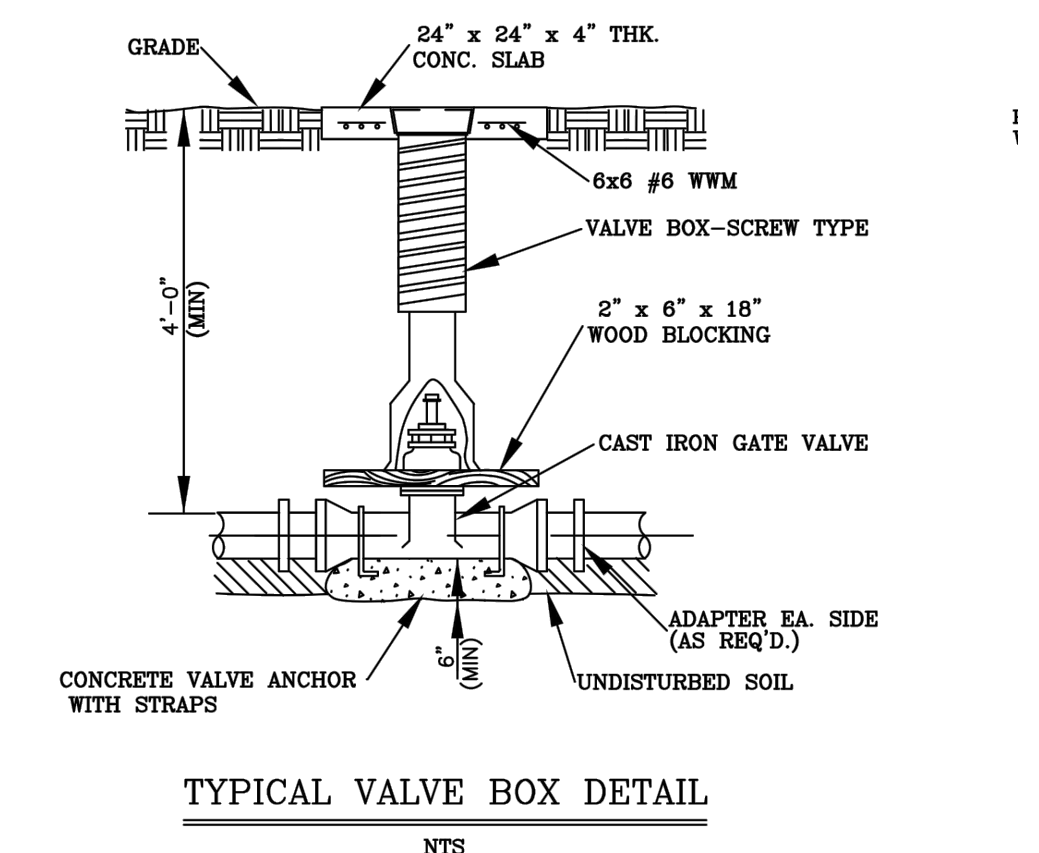
GENERAL SITE UTILITIES NOTES

- ALL CONSTRUCTION SHALL COMPLY WITH CONTRACT SPECIFICATIONS AND APPLICABLE LOCAL, STATE, AND FEDERAL STANDARDS AND REGULATIONS.
- CONSTRUCTION SHALL NOT INTERRUPT EXISTING UTILITIES.
- ALL DISTURBED GROUND SHALL BE RESTORED IN KIND TO A CONDITION EQUAL TO OR BETTER THAN ORIGINALLY FOUND.
- SOIL EROSION CONTROL SHALL BE IN ACCORDANCE WITH THESE DOCUMENTS.
- PROTECT EXISTING UTILITY LINES FROM DAMAGE. FOLLOW INDIVIDUAL UTILITY'S RECOMMENDATIONS FOR UTILITY LINE PROTECTION.
- CONTRACTOR SHALL IMMEDIATELY REPORT ALL DAMAGE TO UTILITY LINES TO BOTH UTILITY COMPANY AND ENGINEER.
- ALL DAMAGE CAUSED TO EXISTING UTILITY LINES BY CONTRACTOR'S OPERATIONS SHALL BE REPAIRED BY THE CONTRACTOR TO COMPLETE SATISFACTION OF THE UTILITY COMPANY AND ENGINEER.
- LOCATION OF EXISTING UTILITIES IS APPROXIMATE. CONTRACTOR SHALL FIELD VERIFY EXACT LOCATIONS.
- CONTRACTOR IS RESPONSIBLE FOR CUT AND GAP OF EXISTING UTILITIES PRIOR TO ANY DEMOLITION.
- CONTRACTOR SHALL CONTACT LOUISIANA ONE CALL PRIOR TO COMMENCEMENT OF SITE EXCAVATION.
- THE CONTRACTOR SHALL CONTACT CITY OF SLIDELL FOR EXACT LOCATION OF TIE-IN FOR UTILITIES.
- THE CONTRACTOR SHALL CONTACT WASHINGTON ST TAMMANY FOR POWER CONNECTION.

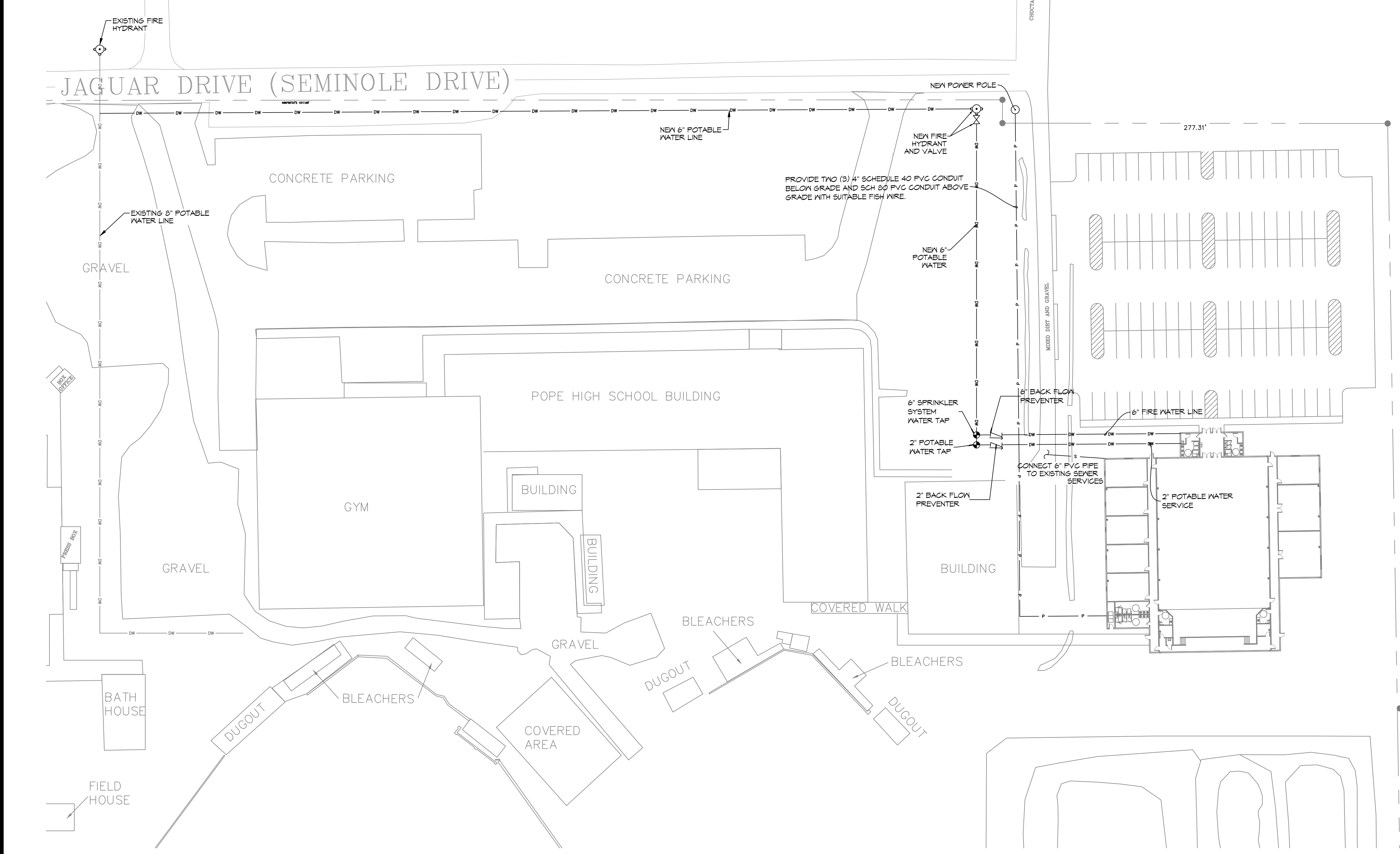
SITE UTILITIES LEGEND



- NOTES:
- HYDRANT PAINT SHALL BE FACTORY APPLIED. (FIELD APPLIED PAINT SHALL NOT BE APPROVED)
 - PAINT COLOR SHALL BE:
 1. KENNEDY HYDRANTS: KENNEDY SAFETY YELLOW NUMBER 05
 2. MUELLER HYDRANTS: SAFETY YELLOW, F830X9858, M40150, PAINT CODE (M7)
 3. CLOW MEDALLION: SAFETY YELLOW
 4. AMERICAN DARLING HYDRANTS: DUPONT SAFETY YELLOW 1663E



4 FIRE HYDRANT DETAIL
SCALE: N.T.S.



2 SITE UTILITIES PLAN
SCALE: 1"=40'-0"

DAMMON ENGINEERING, INC.
LOUISIANA & MISSISSIPPI

Chief Engineer: Brian Mistich, PE
554 Old Spanish Trail
Slidell, LA 70458
www.dammonengineering.com
info@dammonengineering.com
PH: 985.649.5832 F: 985.641.5950

#	DESCRIPTION	DATE

NEW AUDITORIUM POPE JOHN PAUL II HIGH SCHOOL

1901 LAGAR DR
SLIDELL, LA 70461

JOB No: 2522 DATE: 01-20-2025
DRAWN BY: GMS CHECKED BY: EAM

SHEET TITLE:
SITE UTILITIES PLAN

DRAWING NUMBER:

C102

SHEET No: 4 of 17