

### Ordering Information

Applicable product:		
10" centers, Camber	K-2282-10	shown
Single-hole, Camber	K-2282-1	not shown
No-hole, Camber	K-2282	not shown
12-3/8" centers, Water Lilies	K-14282-12	not shown
No-hole, Water Lilies	K-14282	not shown
Accessories/hardware:		
Trap	K-8998	recommended

### Product Information

Fixture*:		basin area	water depth
Lavatory		14" D.	5"
Outlet	1-3/4" D.		
* Approximate measurements for comparison only.			

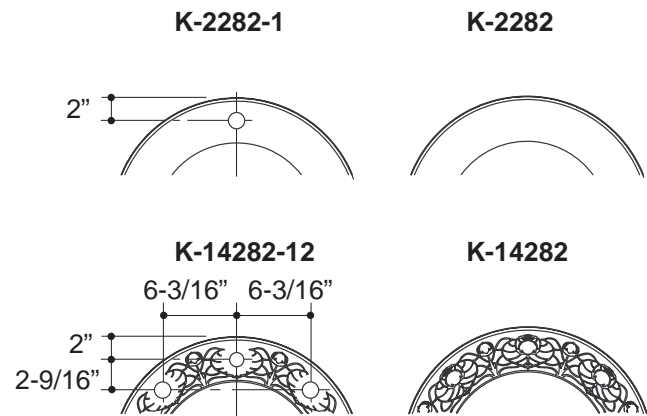
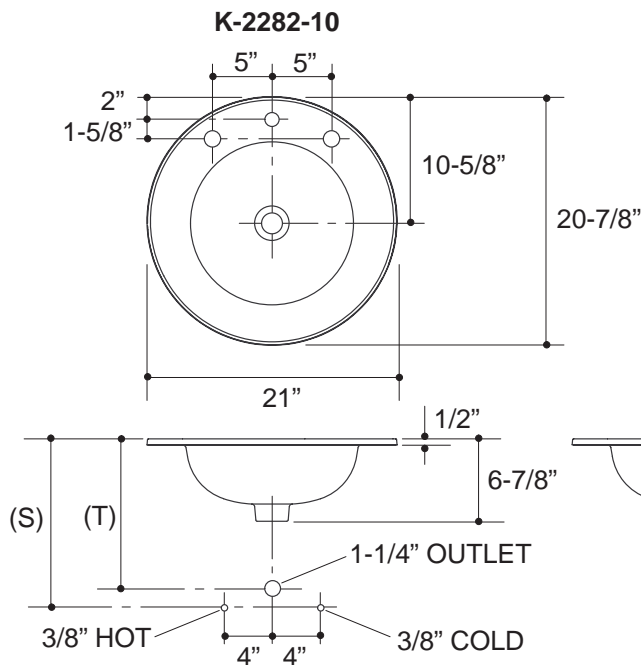
Holes	<b>K-2282-10</b>	<b>K-2282-1</b>	<b>K-14282-12</b>
Spout	1-3/16" D.	1-3/8" D.	1-3/16" D.
Faucet	1-3/8" D.		1-3/8" D.

Included Components:	
Adhesive sealant	81489
Adjustable linkage	40372
Cutout template	86562-7

### Installation Notes

Refer to installation instructions included with fixture before beginning installation.

**IMPORTANT:** Due to the large size of the lavatory, a 21-1/8" wide flat is required for installation on a vanity top.



#### Roughing-In Notes

Fixture dimensions are nominal and conform to tolerances in ASME Standard A112.19.2M.

(T) Pop-up drain 12-1/2".

(S) 14" (Based on 12" riser which may require cutting).

Lavatories without faucet hole drilling require wall-mount faucet with 7" min. spout length.