

Ordering Information

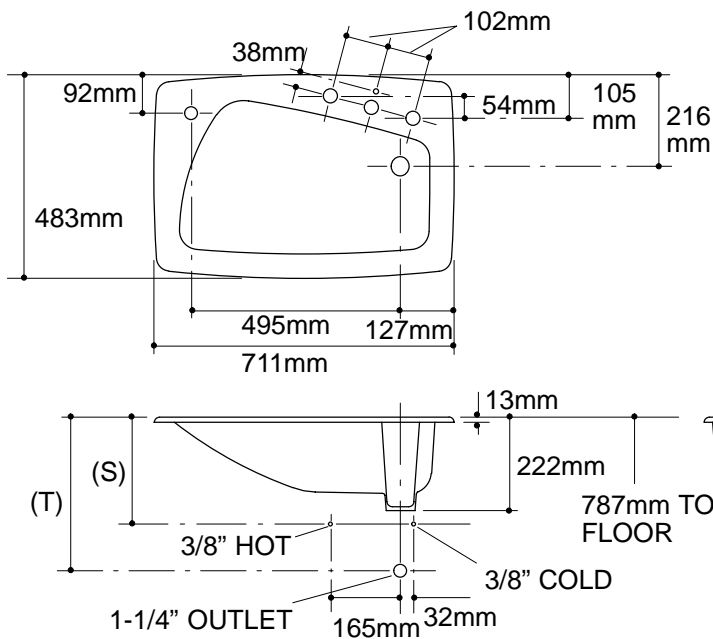
Applicable product:		
Single-hole lavatory	K-2170-8S	shown
Accessories/hardware:		
Alterna faucet	K-6956	required
Triton faucet	K-7449	required

Product Information

Fixture*:		basin area	water depth
Lavatory		584 x 356mm	133mm
Outlet	Ø44mm		
* Approximate measurements for comparison only.			

Holes	K-2170-8S		
Spout	Ø35mm		
Faucet	Ø35mm		
Lift rod	Ø14mm		
Soap dispenser	Ø32mm		

Included Components:	
Adhesive sealant	63034
Cutout template	101090



Roughing-In Notes
Fixture dimensions are nominal and conform to tolerances in ASME Standard A112.19.2M.
(T) Pop-up drain 365mm.
(S) 254mm (Based on 305mm riser which may require cutting).

.9>116