

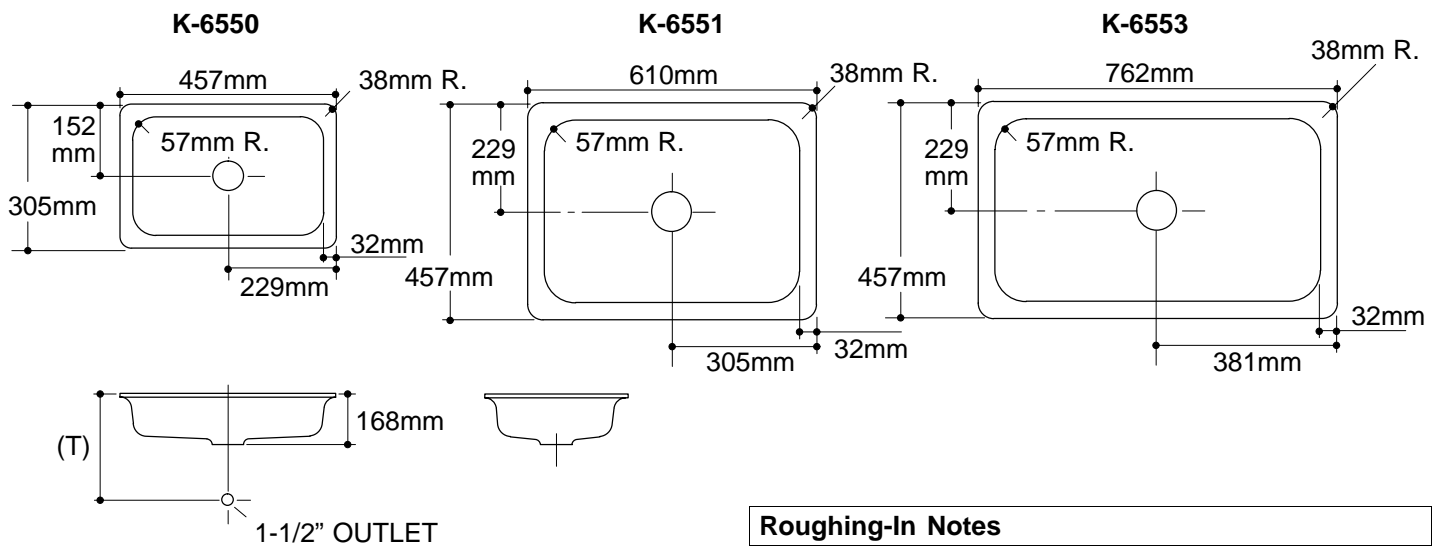
Ordering Information

Applicable product:		
457 x 305mm	K-6550	shown
610 x 457mm	K-6551	not shown
762 x 457mm	K-6553	not shown
Accessories/hardware:		
Metal frame for K-6550	K-6593	recommended
Metal frame for K-6551	K-6594	recommended
Metal frame for K-6553	K-6597	recommended

Product Information

Fixture*:		basin area	water depth
Sink, K-6550		406 x 254mm	152mm
Sink, K-6551		559 x 406mm	152mm
Sink, K-6553		711 x 406mm	152mm
Outlet	Ø92mm		

* Approximate measurements for comparison only.



Roughing-In Notes

Fixture dimensions are nominal and conform to tolerances in ASME/ANSI Standard A112.19.1M.

(T) Drain typically 305mm.

Cutout	Metal frame required.
--------	-----------------------

1.25>116

K-6550, K-6551, K-6553 Addison™ Sink
105139-1M-AA (A)

KOHLER®