

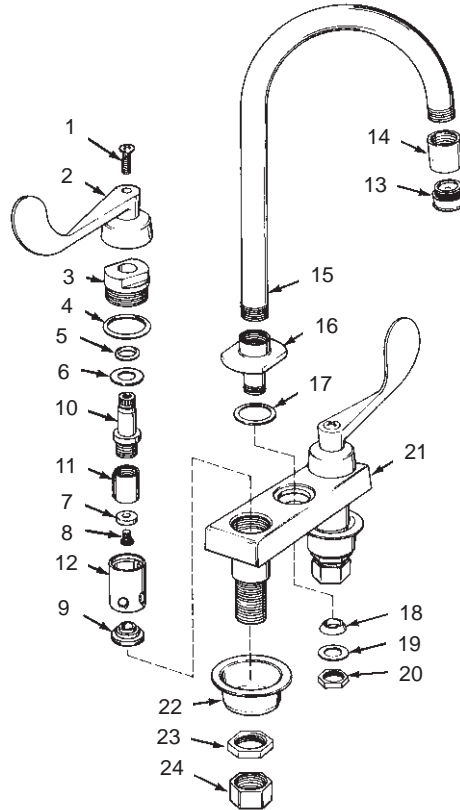
K-13358

LAVATORY FITTING

ORDER BY KIT NUMBER OR PART NUMBER, NOT ITEM NUMBER OR KIT LETTER.

Ordering Options

Item	Part No. or Kit
1	B
2	C
3	34260
4, 5, 6, 7, 8, 9	A, D or E
10, 11, 12	D or E
13	41056‡
14	34503‡
15	40987‡
16	34608‡
17, 18, 19, 20	F
21	40987
22, 23, 24	G



Kit Ordering Information

Kit	Kit Part No.	Kit Name
A	30294	Valve Rebuilding
B	30105‡	Screw
C	30063	4" Wrist Handle
D	30135	Valve Replacement (Closes Clockwise)
E	30134	Valve Replacement (Closes Counterclockwise)
F	30261	Spout Attachment
G	30227	Attachment S.A.

Kit Contents

2 ea., Items 4 thru 9
 2 ea., Item 1
 1 ea. Hot, 1 ea. Cold; Item 2
 1 ea., Items 4 thru 12
 1 ea., Items 4 thru 12
 1 ea., Items 17 thru 20
 2 ea., Items 22, 23, and 24

KITS MAY INCLUDE EXTRA PARTS

NOTES:

LEGEND:

‡ Specify Finish.