

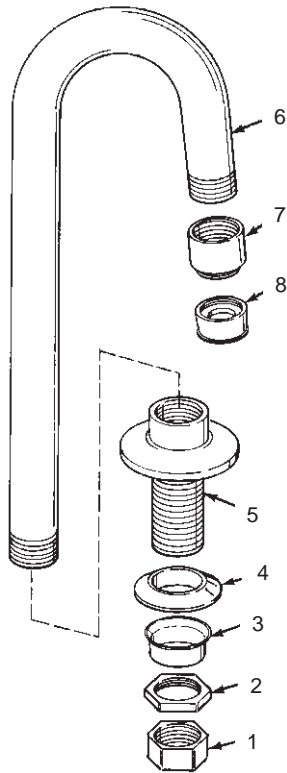
LAVATORY GOOSENECK SPOUT

K-13760 w/Aerator
K-13761 w/Rose Spray
K-13762 w/Plain End
 (Spout Center of Inlet to Center of Outlet = 3-3/4")

LAVATORY GOOSENECK SPOUT

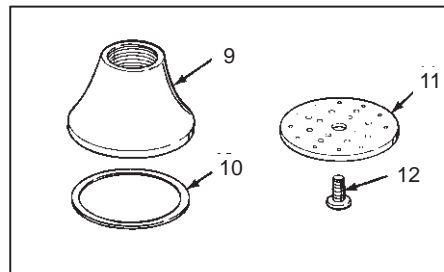
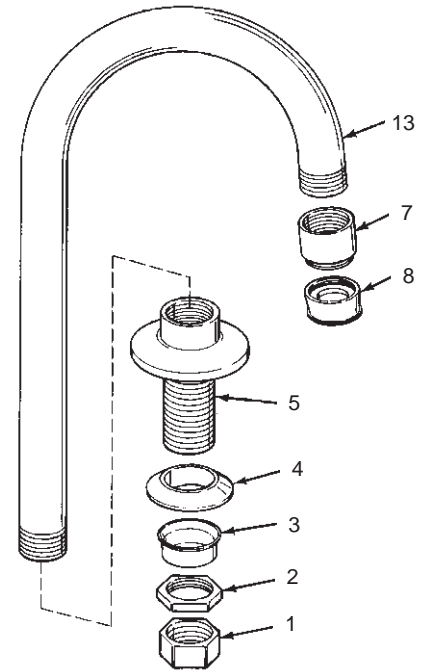
K-13770 w/Aerator
K-13772 w/Plain End
K-13774 w/Rose Spray
 (Spout Center of Inlet to Center of Outlet = 5")

ORDER BY KIT NUMBER OR PART NUMBER, NOT ITEM NUMBER OR KIT LETTER.



Ordering Options

Item	Part No. or Kit
1, 2, 3, 4	A
5	34581‡
6	B or D
7	33968‡
8	37725‡
9	F
10, 11, 12	F, G
13	C or E



Kit Ordering Information

Kit	Kit Part No.	Kit Name
A	30262	Attachment S.A.
B	35733‡	Spout (3-3/4")
C	34004‡	Spout (5")
D	35731‡	Spout (3-3/4" w/Plain End)
E	34006‡	Spout (5" w/Plain End)
F	29614‡	Spray Head S.A.
G	30341‡	Spray Face

Kit Contents

1 ea., Items 1 thru 4
 1 ea., Item 6
 1 ea., Item 13
 1 ea., Item 6
 1 ea., Item 13
 1 ea., Items 9 thru 12
 1 ea., Items 10, 11 and 12

KITS MAY INCLUDE EXTRA PARTS

NOTES:

LEGEND:

‡ Specify Finish.