

### Ordering Information

Applicable product:		
Four-hole sink	K-5948-4	shown
Three-hole sink	K-5948-3	not shown
Accessories/hardware:		
Hardwood cutting board	K-5958	optional
Bottom basin rack	K-6000	optional
Wire rinse basket	K-6521	optional

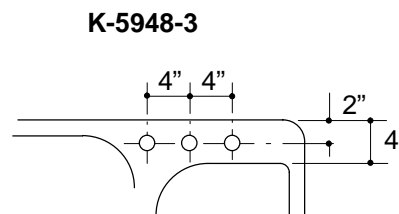
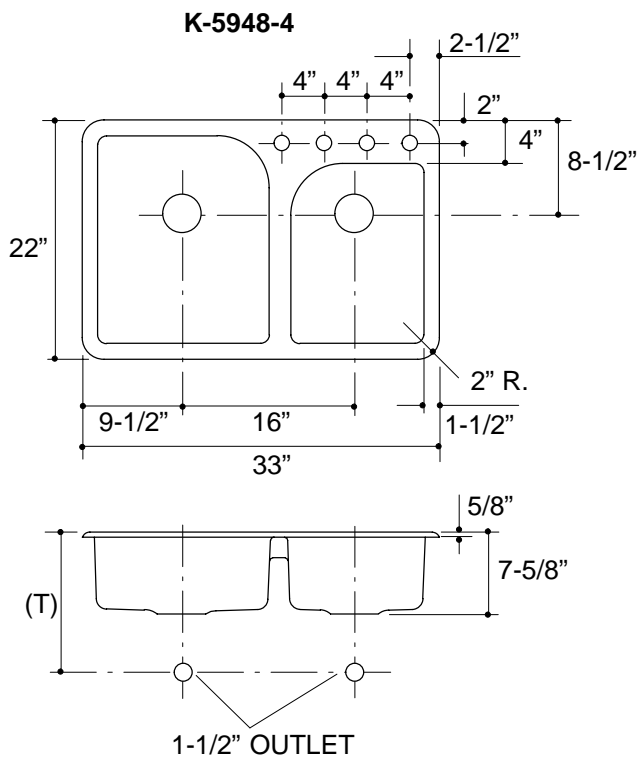
### Product Information

Fixture*:		basin area	water depth
Sink, small		12" x 16"	6-3/4"
Sink, large		16" x 19"	6-3/4"
Outlet	3-7/8" D.		
Faucet holes	1-3/8" D.		

\* Approximate measurements for comparison only.

### Installation Notes

Refer to installation instructions included with fixture before beginning installation.



### Roughing-In Notes

Fixture dimensions are nominal and conform to tolerances in ASME/ANSI Standard A112.19.1M.

(T) Drain typically 13".

Cutout 31-3/4" x 20-3/4" with 1" radius corners.