

Ordering Information

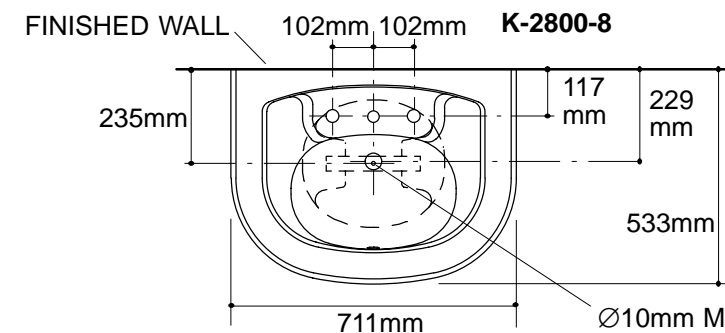
Applicable product:		
203mm centers lavatory	K-2800-8	shown
Single hole lavatory	K-2800-1	not shown

Product Information

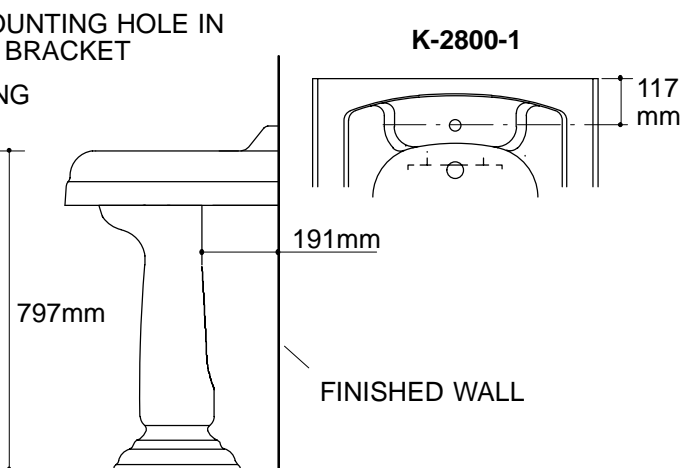
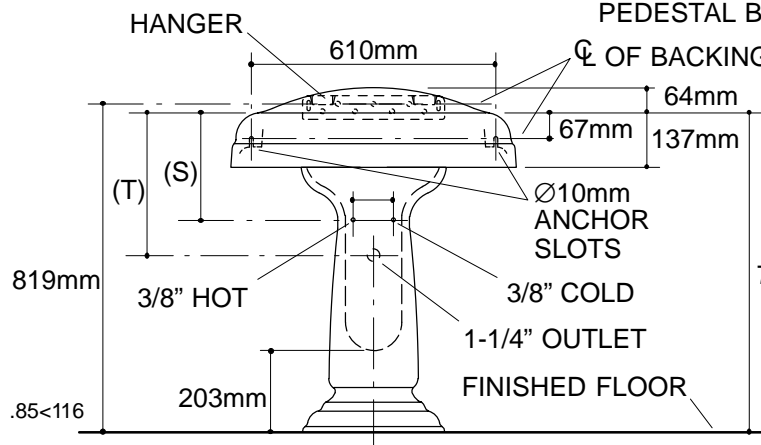
Fixture*:		basin area	water depth
Lavatory		406 x 279mm	114mm
Outlet	Ø44mm		
* Approximate measurements for comparison only.			

Holes	K-2800-8	K-2800-1	
Spout	Ø29mm	Ø35mm	
Faucet	Ø33mm		

Included Components:	
Lavatory basin, 203mm centers	K-2801-8
Lavatory basin, single-hole	K-2801-1
Pedestal	K-2802
Pedestal accessory pack	52204
Hanger	64503
Bracket	82827



Roughing-In Notes
Fixture dimensions are nominal and conform to tolerances in ASME/ANSI Standard A112.19.1M.
(T) Pop-up drain 356mm.
(S) 229mm (Based on 305mm riser which may require cutting).



K-2800 Vintage™ Lavatory
106522-1M-BA (-)