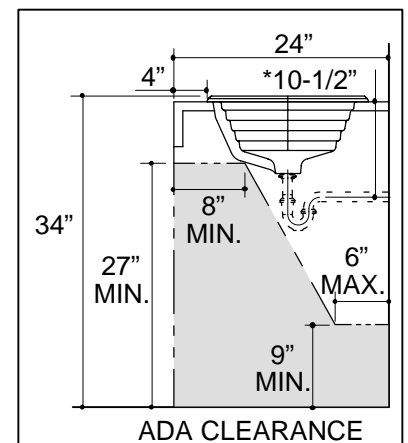
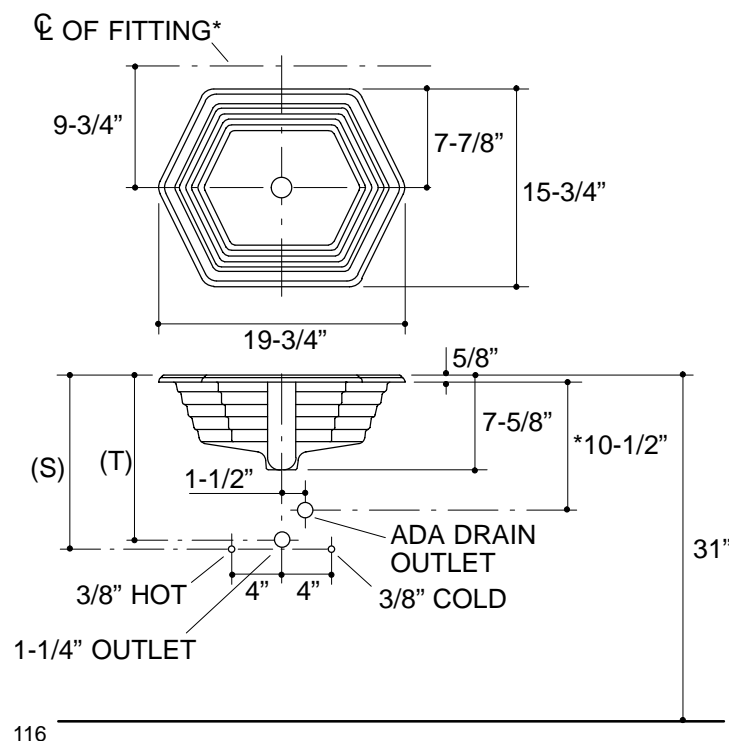


## Ordering Information

Accessories/hardware		
Trap	K-8998	recommended

## Product Information

ADA compliant.			
Fixture*:		basin area	water depth
Lavatory		17" x 13"	4-7/8"
Outlet	1-3/4" D.		
* Approximate measurements for comparison only.			
Included Components:			
Overflow ferrule			44071
Adjustable linkage			40372
Cutout template			106799



### Roughing-In Notes

Fixture dimensions are nominal and conform to tolerances in ASME/ANSI Standard A112.19.1M.

\*Based on K-8998, with 1" of tailpiece exposed.

(T) Pop-up drain 13-1/4".

(S) 14" (Based on 14" riser which may require cutting).

\*Spout must be 4-5/8" long (min.) for adequate clearance into lavatory.