

Ordering Information

Applicable faucet trim only:	
Bath and shower six-prong handle*	K-T130-3D
Bath and shower lever handle*	K-T130-4D
Bath and shower oval handle*	K-T130-9B
Shower six-prong handle*	K-T132-3D
Shower lever handle*	K-T132-4D
Shower oval handle*	K-T132-9B
Valve six-prong handle*	K-T134-3D
Valve lever handle*	K-T134-4D
*Rite-Temp valve must be ordered to complete faucet.	

Applicable Rite-Temp valve only:		
Rite-Temp valve without stops	K-304-K	not shown**
Rite-Temp valve with stops	K-304-KS	not shown**
Hi Flow Rite-Temp valve with integral stops	K-306-KS	not shown**

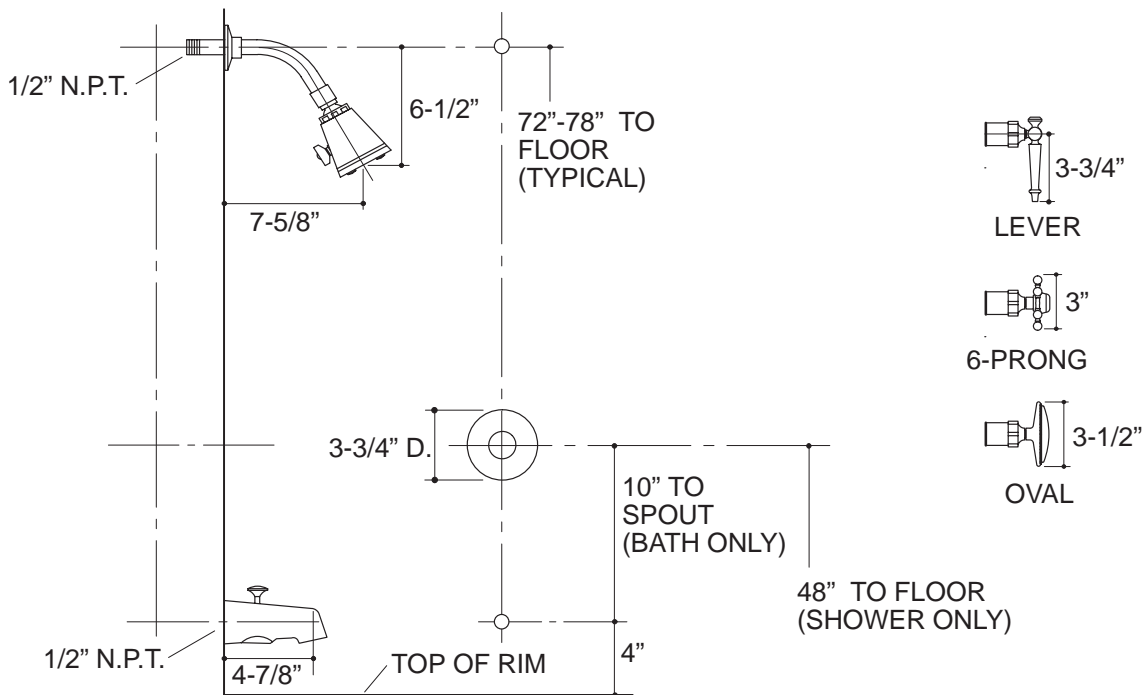
Hi Flow Rite-Temp thin wall installation kit	88526	not shown
**Required for configuration illustrated.		
ADA Lever handle is ADA compliant		

Product Information

⚠ WARNING: Risk of damage to the K-306-KS valve assembly. When using the K-306-KS valve in a fiberglass or acrylic installation, use the thin wall installation kit (88526).

Installation Notes

Avoid cross-flow conditions. Do not install shut-off device on either valve outlet.
 Cap shower outlet if deck-mount spout, diverter, or handshower is connected to spout outlet.
 Install straight pipe or tube drop of 7 to 18" with single elbow between valve and wall-mount spout.



332

K-T130, K-T132, K-T134, K-304, K-306-KS Antique™ Bath and Shower Faucets
110421-1-CA (-)

NOTES: