

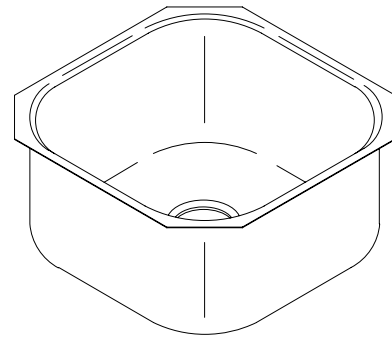
FEATURES

- 17-7/8" x 17-7/8"
- 18 gauge stainless steel
- Undercounter
- Single compartment
- Rounded bowl
- Includes installation hardware

CODES/STANDARDS APPLICABLE

Specified model meets or exceeds the following:

- None applicable



COLORS/FINISHES

- NA None Applicable

Accessories:

- CP Polished Chrome
- 0 White
- Other Refer to Price Book for additional colors

SPECIFIED MODEL:

Model	Description	Colors/Finishes
K-3335	Undercounter sink	<input type="checkbox"/> NA

Optional Accessories			
K-3191	Bottom basin rack	<input type="checkbox"/> 0 White	<input type="checkbox"/> Other_____
K-3279	Wire rinse basket	<input type="checkbox"/> 0 White	<input type="checkbox"/> Other_____
K-8801	Duostrainer sink strainer	<input type="checkbox"/> CP	<input type="checkbox"/> Other_____
K-8813	Stainless steel sink strainer	<input type="checkbox"/> CP	
K-8814	Stainless steel sink strainer	<input type="checkbox"/> CP	

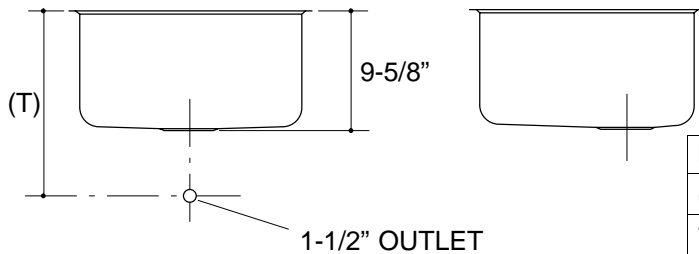
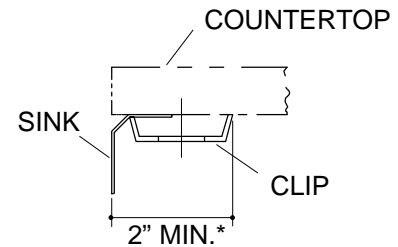
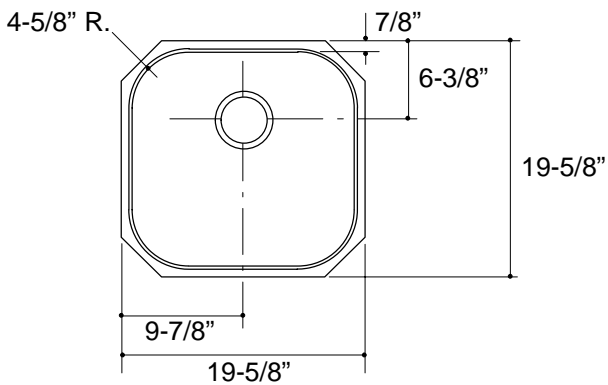
PRODUCT SPECIFICATION:

The undercounter sink shall be 17-7/8" in length, and 17-7/8" in width. Sink shall be made of 18 gauge stainless steel. Sink shall be single compartment with rounded bowl. Sink shall include installation hardware. Sink shall be Kohler Model K-3335-_____.

UNDERTONE™

PRODUCT INFORMATION

Fixture*:		basin area	water depth
Sink		18" x 18"	9-1/2"
Outlet	3-5/8" D.		
* Approximate measurements for comparison only.			
Included Components:			
Hardware kit		91915	
Cutout template		113196	



Roughing-In Notes
(T) Drain typically 15".
*Allow clearance around sink rim for clip attachment.

PRODUCT DIAGRAM