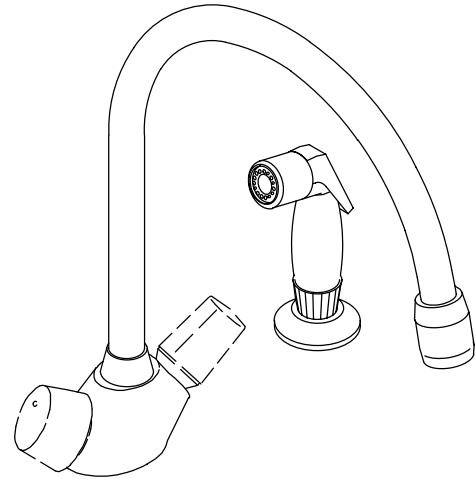


**KITCHEN SINK FAUCET  
K-14507**

**FEATURES**

- Brass construction
- Brass valve bodies
- Quarter-turn washerless ceramic disc valves
- 8-3/8" gooseneck swing spout
- 2.5 gallons per minute
- Available with cylinder or oval handles
- Handspray
- Optional escutcheon plate is available for three-hole installations



**CODES/STANDARDS APPLICABLE**



Specified model meets or exceeds the following:

- ASME/ANSI A112.18.1M
- California Energy Commission
- Energy Policy Act of 1992
- IAPMO/UPC
- NSF 14

**COLORS/FINISHES**

- CP Polished Chrome
- Other Refer to Faucets Price Book for additional finishes

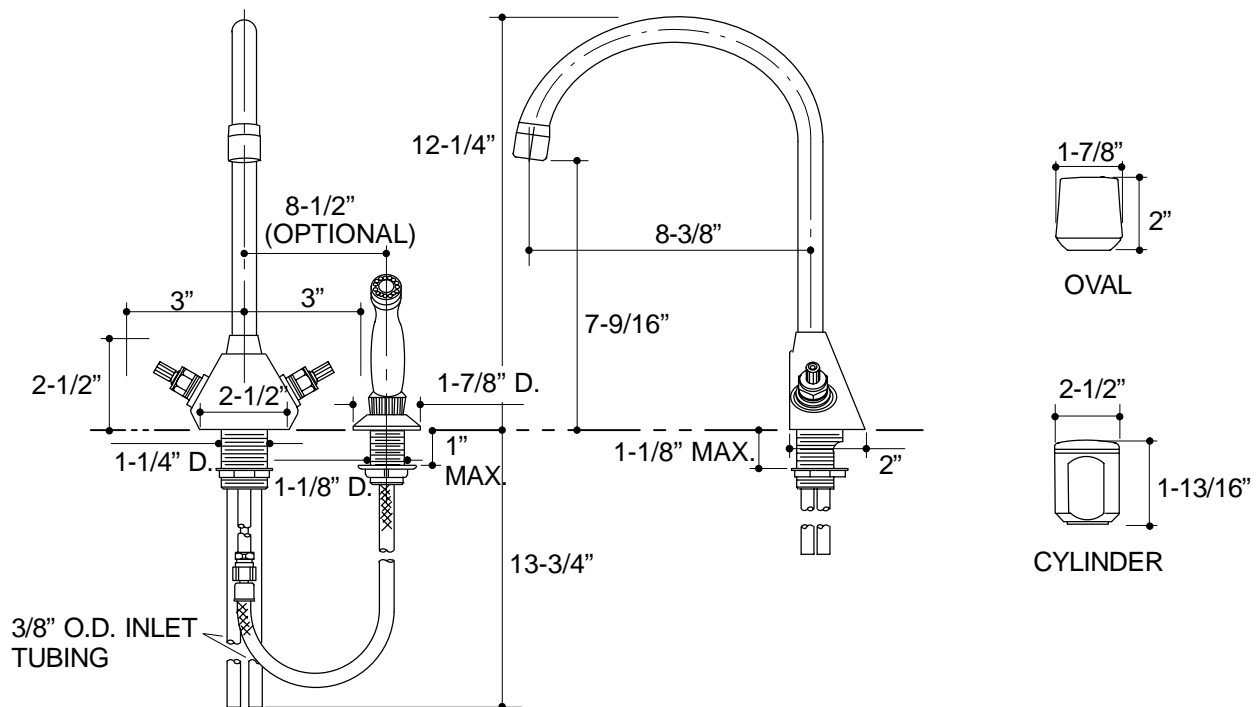
**SPECIFIED MODEL:**

Model	Description		
K-14507-7	With Cylinder Handles and Matching Color Handspray	<input type="checkbox"/> Other_____	
K-14507-9	With Oval Handles and Black Handspray		<input type="checkbox"/> CP

Optional Accessory			
K-14511	10-1/2" Escutcheon Plate for Three-Hole Installations	<input type="checkbox"/> CP	<input type="checkbox"/> Other_____

**PRODUCT SPECIFICATION:**

Two-handle kitchen sink faucet shall be of brass construction. Faucet shall feature brass valve bodies. Faucet shall feature quarter-turn washerless ceramic disc valves, assuring positive handle stop positioning. Product shall include 8-3/8" gooseneck swing spout, cylinder or oval handles, and handspray. Faucet shall be Kohler Model K-14507-\_\_\_\_\_-\_\_\_\_\_.



316

## PRODUCT DIAGRAM