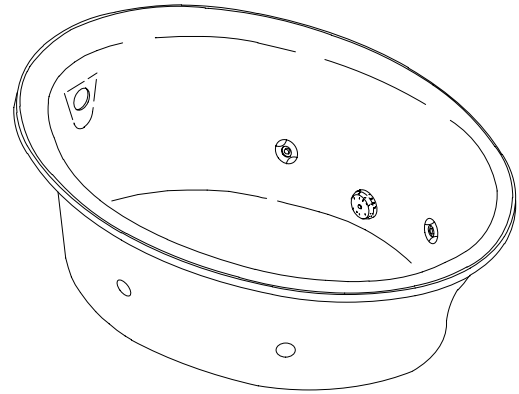


#### FEATURES

- 60" x 42" x 21"
- Acrylic
- System I - 3/4 hp pump with air switch actuator
- 4 factory-installed color-matched plastic Flexjets
- UL Listed
- Pump is supplied with a grounding-type plug in cord



#### CODES/STANDARDS APPLICABLE

Specified model meets or exceeds the following:

- ANSI Z124.1
- ASME/ANSI A112.19.7M
- IAPMO/UPC
- Underwriters Laboratories (UL)
- State of Massachusetts

#### COLORS/FINISHES

- 0 White
- Other Refer to Fixtures Price Book for additional colors

#### Accessories:

- CP Polished Chrome
- PB Polished Brass
- Other Refer to Faucets Price Book for additional finishes

#### SPECIFIED MODEL:

Model	Description	Colors/Finishes		
K-1246	5' bath whirlpool	<input type="checkbox"/> 0 White	<input type="checkbox"/> Other_____	
<b>Recommended Accessories</b>				
K-7161-AF	Drain	<input type="checkbox"/> CP	<input type="checkbox"/> PB	<input type="checkbox"/> Other_____
<b>Optional Accessories</b>				
K-9694	Flexjet trim kit (metal finishes)	<input type="checkbox"/> CP	<input type="checkbox"/> PB	<input type="checkbox"/> Other_____

#### PRODUCT SPECIFICATION:

The oval bath whirlpool shall be 60" in length, 42" in width, and 21" in height. Bath whirlpool shall be made of acrylic. Bath whirlpool shall have System I, 3/4 hp pump with air switch actuator. Bath whirlpool shall have 4 factory-installed color-matched plastic Flexjets. Bath whirlpool shall be UL listed. Bath whirlpool pump shall be supplied with a grounding-type plug-in cord. Bath whirlpool shall be Kohler Model K-1246-\_\_\_\_\_.

# SEASIDE™

## REQUIRED ELECTRICAL SERVICE

Dedicated circuit required, protected with Class A Ground-Fault Circuit-Interrupter (GFCI):	
Pump/control	120 V., 15 A, 60 Hz

## PRODUCT INFORMATION

Fixture*:	basin area	top area	weight
Bathing well	44" x 31"	50" x 34"	110 lbs.
	water depth	capacity	
To overflow	15"	69 gal.	

\* Approximate measurements for comparison only.

Pump:	HP	V	Hz	A
1-speed	3/4	120	60	10.5

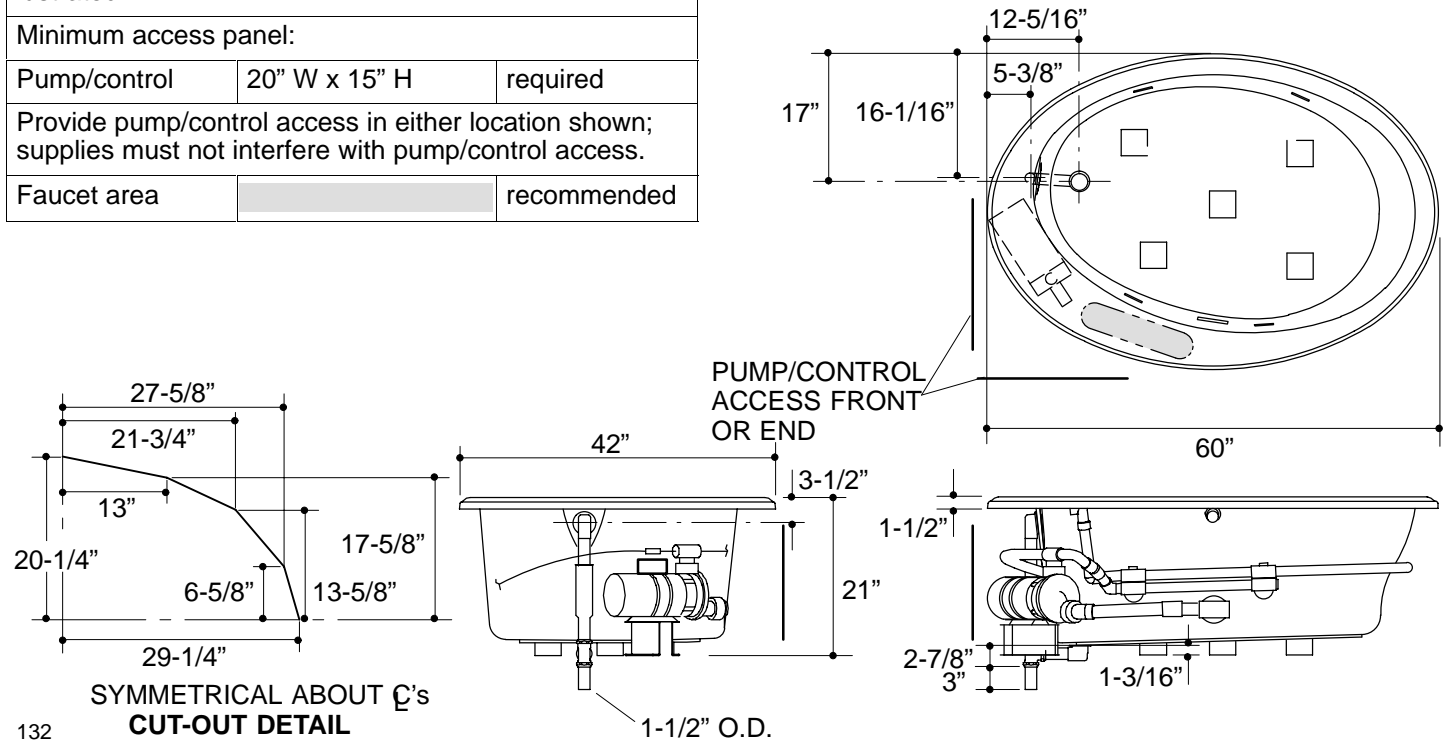
Included Components:	
Cutout template	113926-7

<b>Roughing-In Notes</b>		
No change in measurements if connected with drain illustrated.		
Minimum access panel:		
Pump/control	20" W x 15" H	required
Provide pump/control access in either location shown; supplies must not interfere with pump/control access.		
Faucet area		recommended

## INSTALLATION NOTES

If installing a rim-mount faucet, make sure there is no interference with drain overflow and circulating system before drilling any holes. Consult local and national codes for minimum air gap requirements if installing a spout on the faucet deck.

Pump is supplied with a grounding type plug-in cord. Locate the outlet behind the whirlpool, and within 24" of the pump.



## PRODUCT DIAGRAM