

Ordering Information

Accessories/hardware:		
Tower	K-1040	required
Door enclosure	K-9759	required
Drain	K-7161-AF	recommended
Grip rails	K-9623	required
Coralais Rite-Temp	K-1097	recommended
Coralais Two-handle	K-1096	

Requirements Electrical Service

Dedicated circuit required, protected with Class A Ground-Fault Circuit-Interrupter (GFCI):	
Pump/control	120 V., 20 A, 60 Hz

Product Information

Fixture*:	basin area	top area	weight
Bathing well	43" x 19"	54" x 30"	410 lbs.
	water depth	capacity	
To overflow	15"	62 gals.**	

* Approximate measurements for comparison only.

** 40 gallon minimum required for BodySpa operation.

Pump:	HP	V	Hz	A
1-speed	1	120	60	16.5

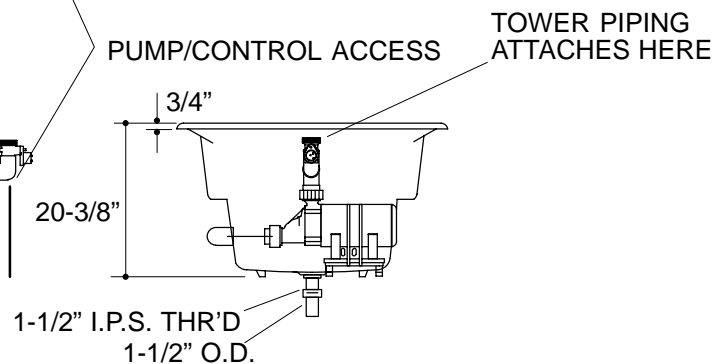
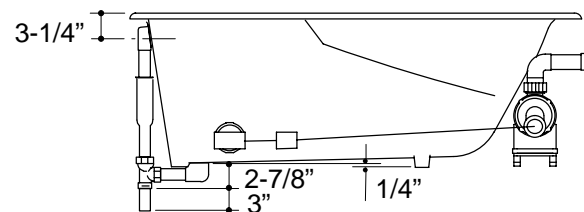
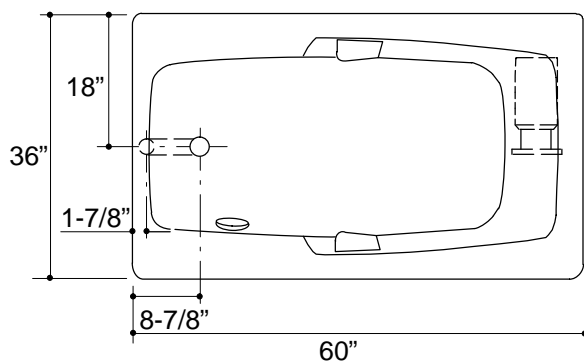
Installation Notes

Refer to installation instructions included with fixture before beginning installation.

Allow 84-3/8" to 84-7/8" from sub-floor to finished ceiling or header for proper enclosure installation.

Top of unit must be enclosed to retain heat and contain water spray.

Pump is supplied with a grounding type plug-in cord. Locate the outlet behind the whirlpool, and within 24" of the pump.



Roughing-In Notes

Fixture conforms to ANSI Standard A112.19.1M. All dimensions are nominal.

No change in measurements if connected with drain illustrated.

Cut-out 58-1/2" x 34-1/2"

Minimum access:

Pump/control 20" W x 12" H required

1.25>132