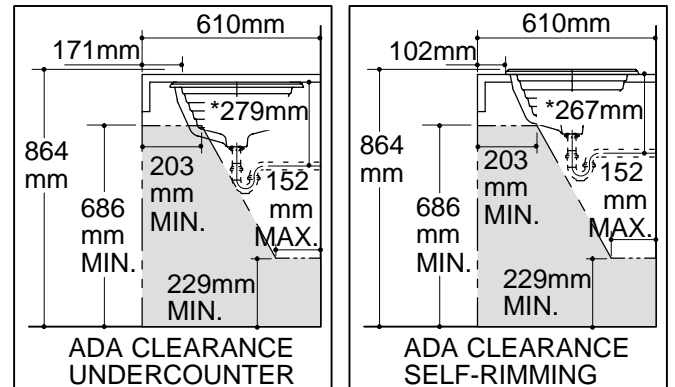
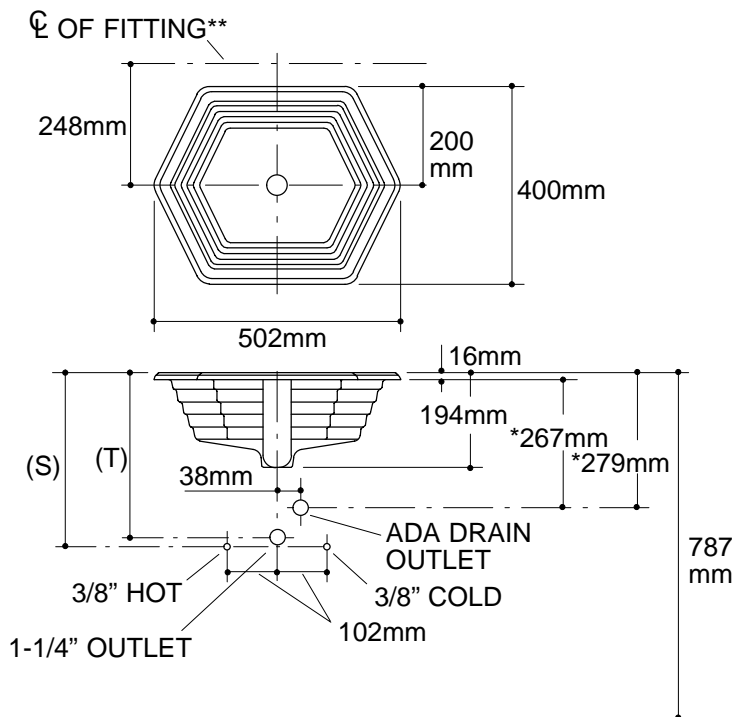


Ordering Information

Accessories/hardware		
Trap	K-9018	recommended

Product Information

ADA compliant.			
Fixture*:		basin area	water depth
Lavatory		432 x 330mm	124mm
Outlet	Ø44mm		
* Approximate measurements for comparison only.			
Included Components:			
Overflow ferrule			44071
Adjustable linkage			40372
Basin clamp assembly, undercounter			52047
Cutout template			114407-7



Roughing-In Notes

- Fixture dimensions are nominal and conform to tolerances in ASME/ANSI Standard A112.19.1M.
- *Based on K-9018, with 25mm of tailpiece exposed.
- (T) Pop-up drain 337mm.
- (S) 356mm (Based on 356mm riser which may require cutting).
- **Spout must be 117mm long (min.) for adequate clearance into lavatory.
- Supplied basin clamp assembly for undercounter installation require 25mm minimum countertop thickness. Installer must supply hardware for thinner countertops.