

**LAVATORY OR SINK SUPPLY**  
**K-13701**

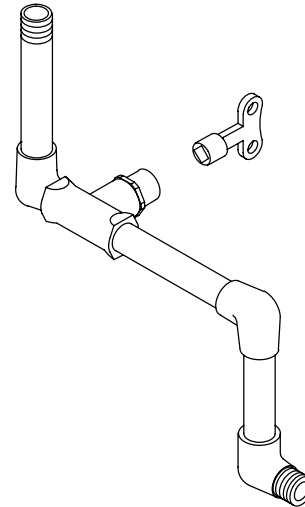
**FEATURES**

- Brass construction
- Compression valve
- Intended for center-drilled lavatory installations
- Delivers tempered water for wall-mount knee control fittings
- Loose key volume regulator

**CODES/STANDARDS APPLICABLE**

Specified model meets or exceeds the following:

- ASME/ANSI A112.18.1M



**COLORS/FINISHES**

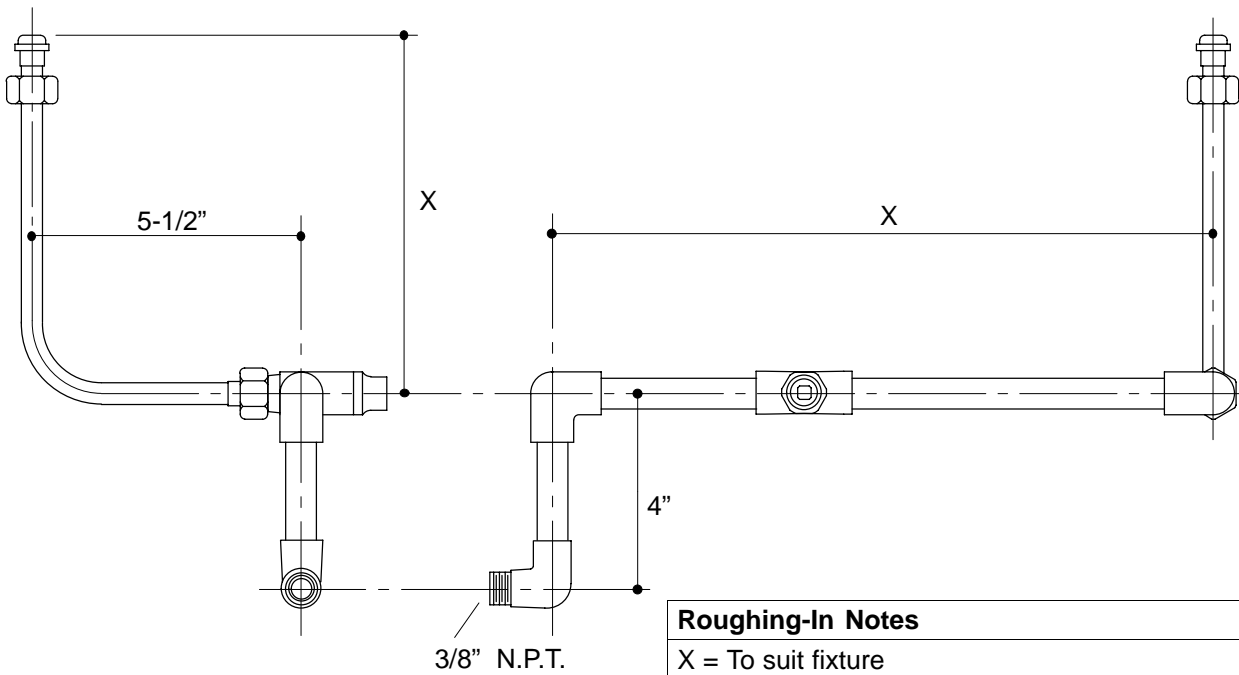
- CP Polished Chrome

**SPECIFIED MODEL:**

Model	For Fixture Similar To:	Size:	
K-13701-A	21" COUNTERTOP		<input type="checkbox"/> CP
K-13701-B	K-2025	18" x 15"	<input type="checkbox"/> CP
K-13701-C	K-12672	19" x 17"	<input type="checkbox"/> CP
K-13701-D	K-2031	20" x 18"	<input type="checkbox"/> CP
	K-2053	20" x 18"	
	K-2869	20" x 18"	
K-13701-E	K-1729	20" x 18"	<input type="checkbox"/> CP
K-13701-F	K-2703	22" x 19"	<input type="checkbox"/> CP
K-13701-G	K-2044	24" x 20"	<input type="checkbox"/> CP
K-13701-H	K-5959	24" x 21"	<input type="checkbox"/> CP
	K-5960	30" x 21"	
	K-5950	32" x 21"	
K-13701-J	K-12793	28" x 22"	<input type="checkbox"/> CP
K-13701-K	25" COUNTERTOP		<input type="checkbox"/> CP

**PRODUCT SPECIFICATION:**

Lavatory or sink supply shall be of brass construction. Product shall contain a compression valve and loose key volume regulator. Supply is intended for center-drilled lavatory or sink installations, and shall deliver tempered water for wall-mount knee control fittings. Product shall be Kohler Model K-13701-\_\_\_\_\_-CP.



## PRODUCT DIAGRAM