

HANDSHOWER WITH DIVERTER
K-16160

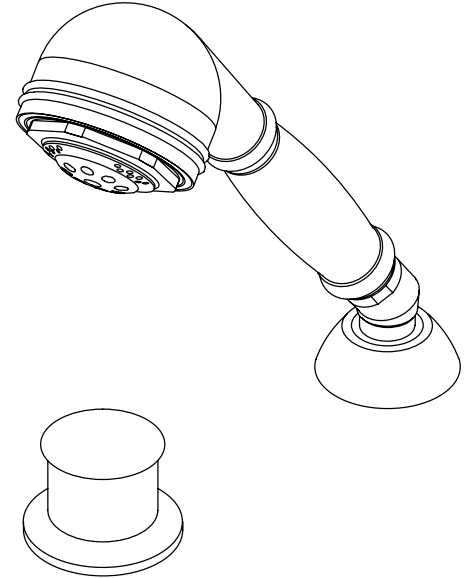
FEATURES

- *Two-way diverter valve*
- *Three-way handshower offering choice of soft-aerated, full-flow, or pulsating sprays*
- *2.5 gallons per minute*
- *69" decorative hose and 36" heavy-duty hose*

CODES/STANDARDS APPLICABLE

Specified model meets or exceeds the following:

- *ASME/ANSI A112.18.1M*
- *ASSE 1014*
- *ASSE 1025*
- *Energy Policy Act of 1992*
- *IAPMO/UPC*
- *Listed in the States of Michigan and Wisconsin*



COLORS/FINISHES

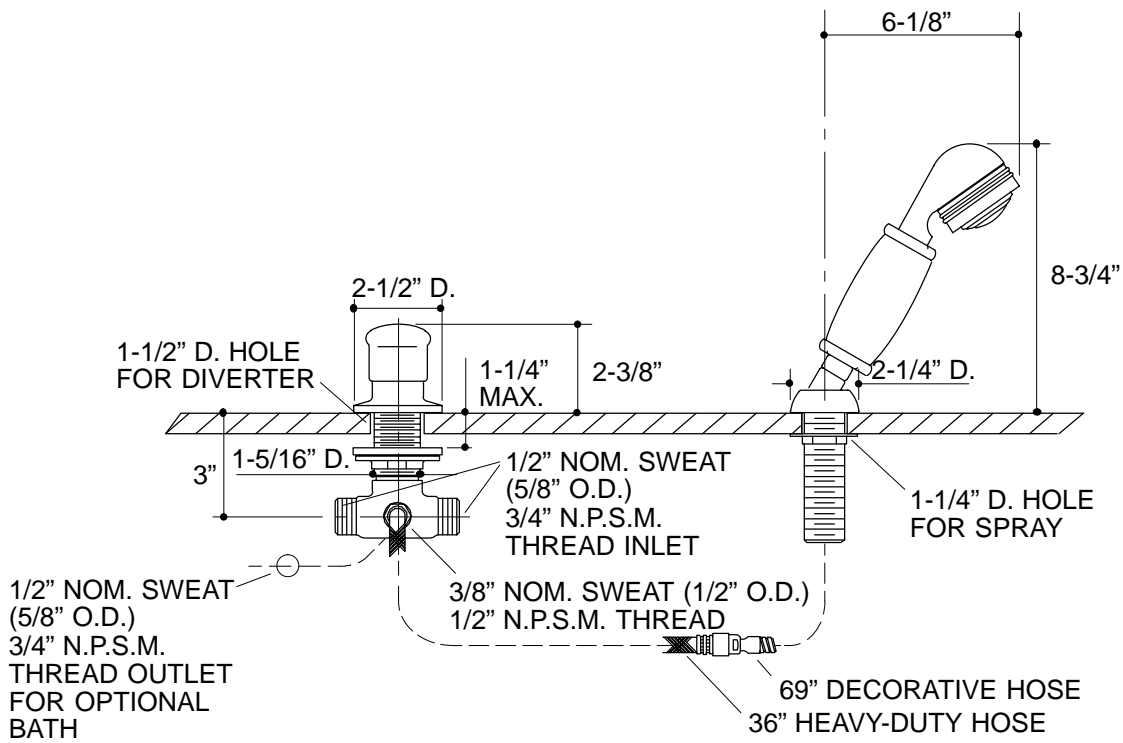
- CP Polished Chrome
- PB Polished Brass

SPECIFIED MODEL:

Model	Description		
K-16160	Revival Diverter and Handshower	<input type="checkbox"/> CP	<input type="checkbox"/> PB

PRODUCT SPECIFICATION:

Bath- or deck-mount valve and handshower kit shall feature a two-way diverter valve and Revival three-way handshower. Handshower shall offer choice of soft-aerated, full-flow, or pulsating sprays. Product shall include 69" decorative hose and 36" heavy-duty hose. Handshower shall be Kohler Model K-16160-_____.



316

PRODUCT DIAGRAM