

FEATURES

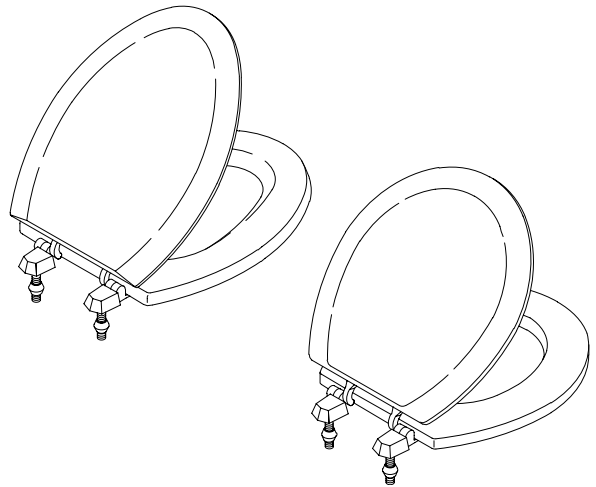
- Elongated or round front
- Open or closed front
- With cover
- With hinges

**K-4710-T, K-4712-T,
K-4714-T, K-4716-T,
K-4726-T, K-4752,
K-4754**

CODES/STANDARDS APPLICABLE

Specified model meets or exceeds the following:

- None applicable



COLORS/FINISHES

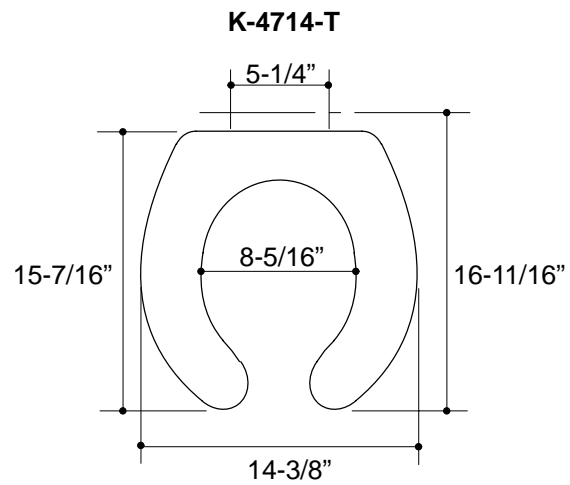
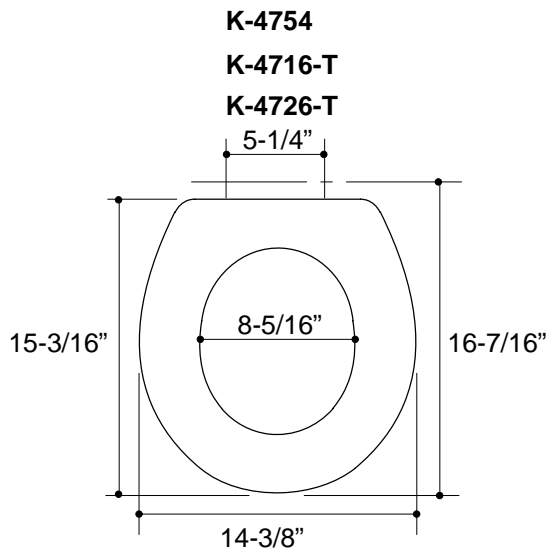
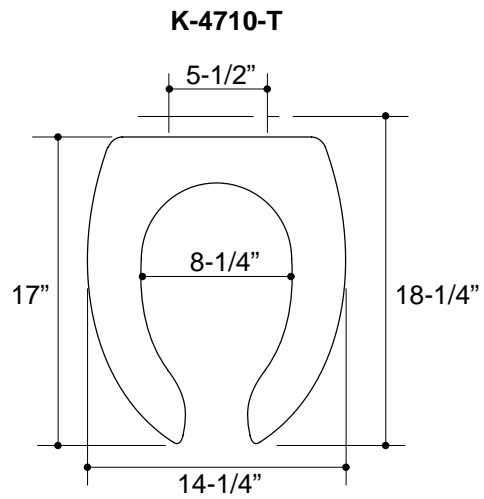
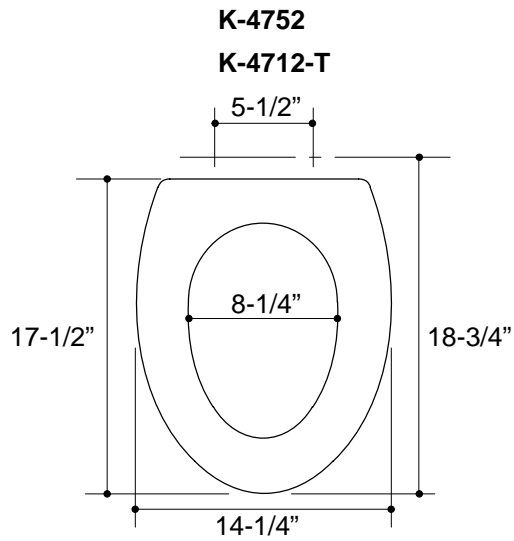
- 0 White
- Other Refer to Fixtures Price Book for additional colors
- Other* Not available in color 71 (Seafoam Green)

SPECIFIED MODEL:

Model	Description	Colors/Finishes	
K-4710-T	Elongated open front seat with cover, plastic hinges	<input type="checkbox"/> 0 White	<input type="checkbox"/> Other_____
K-4710-GS	with polished chrome hinges	<input type="checkbox"/> 0 White	<input type="checkbox"/> Other_____
K-4712-T	Elongated closed front seat with cover, plastic hinges	<input type="checkbox"/> 0 White	<input type="checkbox"/> Other_____
K-4712-GS	with polished chrome hinges	<input type="checkbox"/> 0 White	<input type="checkbox"/> Other_____
K-4714-T	Round open front seat with cover, plastic hinges	<input type="checkbox"/> 0 White	<input type="checkbox"/> Other*_____
K-4716-T	Round closed front seat with cover, plastic hinges	<input type="checkbox"/> 0 White	<input type="checkbox"/> Other_____
K-4726-T	Round closed front seat with cover, polished chrome hinges	<input type="checkbox"/> 0 White	<input type="checkbox"/> Other_____
K-4752	Elongated closed front seat with ergonomically contoured cover	<input type="checkbox"/> 0 White	<input type="checkbox"/> Other_____
K-4754	Round closed front seat with ergonomically contoured cover	<input type="checkbox"/> 0 White	<input type="checkbox"/> Other_____

PRODUCT SPECIFICATION:

The toilet seat shall be elongated or round front. Toilet seat shall be open or closed front. Toilet seat shall have cover and hinges. Toilet seat shall be Kohler Model K-_____-_____-_____.



PRODUCT DIAGRAM