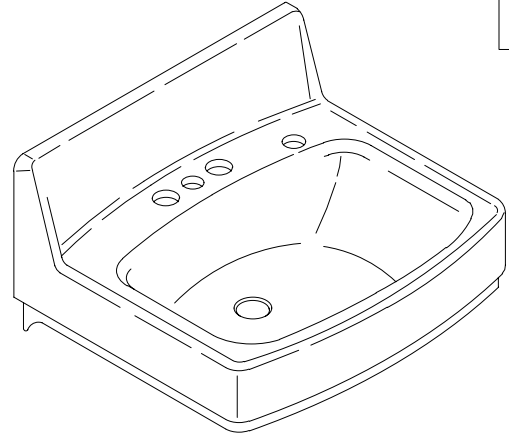


WALL-MOUNT LAVATORY

K-2034, K-2036

ADA



FEATURES

- 20-3/4" x 18-1/4"
- Vitreous china
- Wall-mount
- 8" centers (K-2034) or 4" centers (K-2036) drilling
- With overflow
- ADA compliant
- With hanger
- Drilled for concealed arm carrier

CODES/STANDARDS APPLICABLE

Specified model meets or exceeds the following:

- ADA
- ASME/ANSI A112.19.2M
- CABO/ANSI A117.1
- IAPMO/UPC
- Canadian Standards Association (CSA)
- State of Massachusetts

COLORS/FINISHES

- 0 White
- Other Refer to Fixtures Price Book for additional colors

SPECIFIED MODEL:

Model	Description	Colors/Finishes	
		<input type="checkbox"/> 0 White	<input type="checkbox"/> Other_____
K-2034	8" centers lavatory	<input type="checkbox"/> 0 White	<input type="checkbox"/> Other_____
K-2036	4" centers lavatory	<input type="checkbox"/> 0 White	<input type="checkbox"/> Other_____

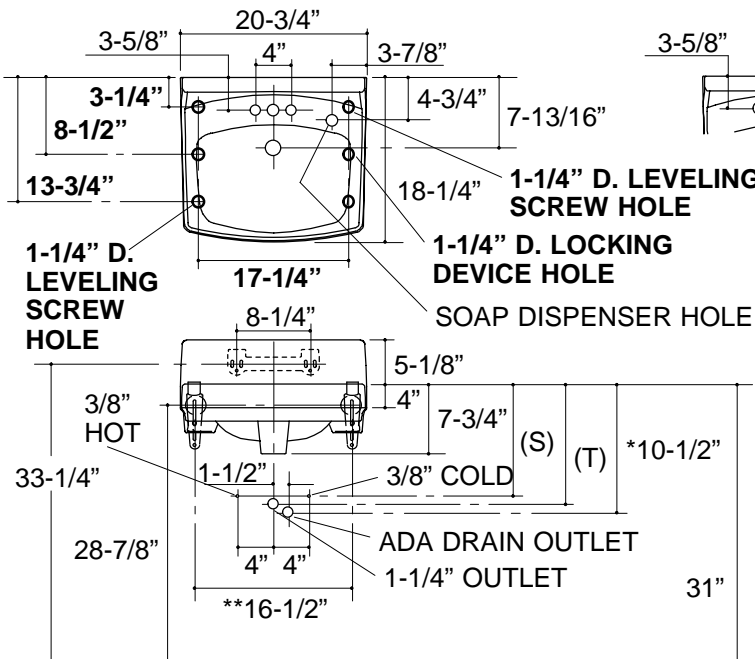
PRODUCT SPECIFICATION:

The lavatory with back shall be 20-3/4" in length and 18-1/4" in width. Lavatory shall be made of vitreous china. Lavatory shall be wall-mount with hanger. Lavatory shall have 8" centers (K-2034) or 4" centers (K-2036) drilling. Lavatory shall have soap dispenser drilling on right. Lavatory shall have overflow. Lavatory shall be ADA compliant. Lavatory shall be drilled for concealed arm carrier. Lavatory shall be Kohler Model K-_____-_____.

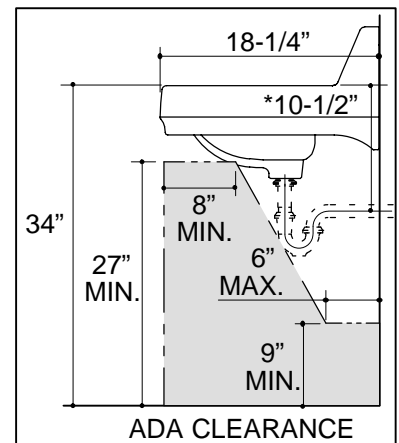
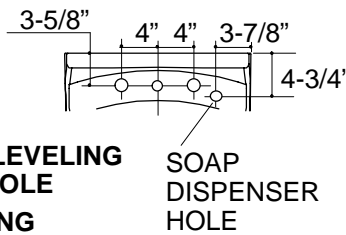
PRODUCT INFORMATION

ADA compliant.			
Fixture*:		basin area	water depth
Lavatory		15" x 10"	3-1/4"
Outlet	1-3/4" D.		
*Approximate measurements for comparison only.			
Holes	K-2036	K-2034	
Spout	1-3/16" D.	1-3/16" D.	
Faucet	1-3/16" D.	1-7/16" D.	
Soap dispenser	1-1/4" D.	1-1/4" D.	
Included Components:			
Hanger		64839	
Supplied hanger not used with concealed arm carrier.			

CONCEALED ARM HOLE LOCATIONS K-2036



K-2034



Roughing-In Notes

*Based on K-8998, with 1" of tailpiece exposed.

**Dimensions from centerline to centerline of brackets.

(T) Pop-up drain 13-3/8", grid drain 12-1/2".

(S) 14" (Based on 12" riser which may require cutting).

.75<116

PRODUCT DIAGRAM