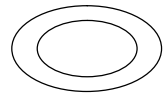
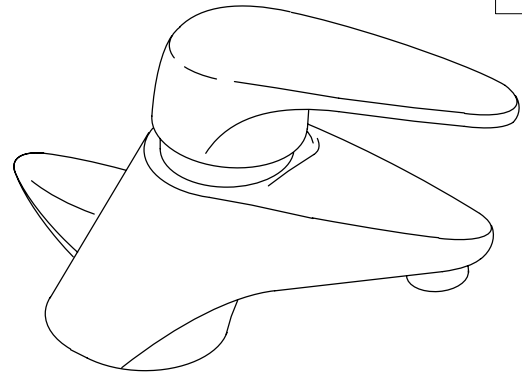


**LAVATORY FAUCET
K-14616-4**

ADA

FEATURES

- Brass construction
- Single-hole mounting
- One-piece self-contained ceramic disc valve allows both volume and temperature control
- Temperature memory allowing faucet to be turned on and off at any temperature setting
- 4-3/8" spout
- 2.0 gallons per minute
- Pop-up drain with lift rod and tailpiece
- Lever handle
- Optional escutcheon plate is available for 4" centerset installations



CODES/STANDARDS APPLICABLE

Specified model meets or exceeds the following:

- ASME/ANSI A112.18.1M
- Energy Policy Act of 1992
- IAPMO/UPC
- NSF 61

COLORS/FINISHES

- CP Polished Chrome
- Other Refer to Faucets Price Book for additional finishes

SPECIFIED MODEL:

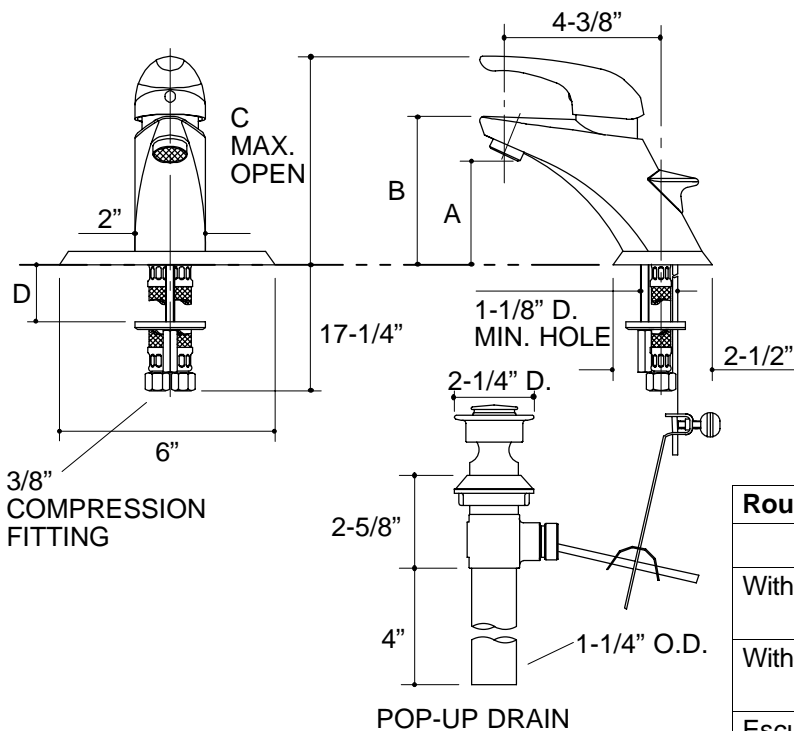
Model	Description		
K-14616-4	Cabriole Single-Control Lavatory Faucet	<input type="checkbox"/> CP	<input type="checkbox"/> Other_____

Optional Accessory			
K-14531	6" Escutcheon Plate for 4" Centerset Installations	<input type="checkbox"/> CP	<input type="checkbox"/> Other_____



PRODUCT SPECIFICATION:

Single-control lavatory faucet shall be of brass construction. The valve shall be a one-piece, self-contained ceramic disc valve, and allows both volume and temperature control. The valve shall feature temperature memory, allowing the faucet to be turned on and off at any temperature setting. Product shall include single-hole mounting, 4-3/8" spout, pop-up drain with lift rod and tailpiece, and lever handle. Faucet shall be Kohler Model K-14616-4-_____.



Roughing-In Notes				
	A	B	C	D
With escutcheon	2-7/8"	4-1/8"	6-3/4"	1-5/8" MAX.
Without escutcheon	2-1/2"	3-3/4"	6-3/8"	2" MAX.
Escutcheon to be used with 4" hole centers only.				

PRODUCT DIAGRAM