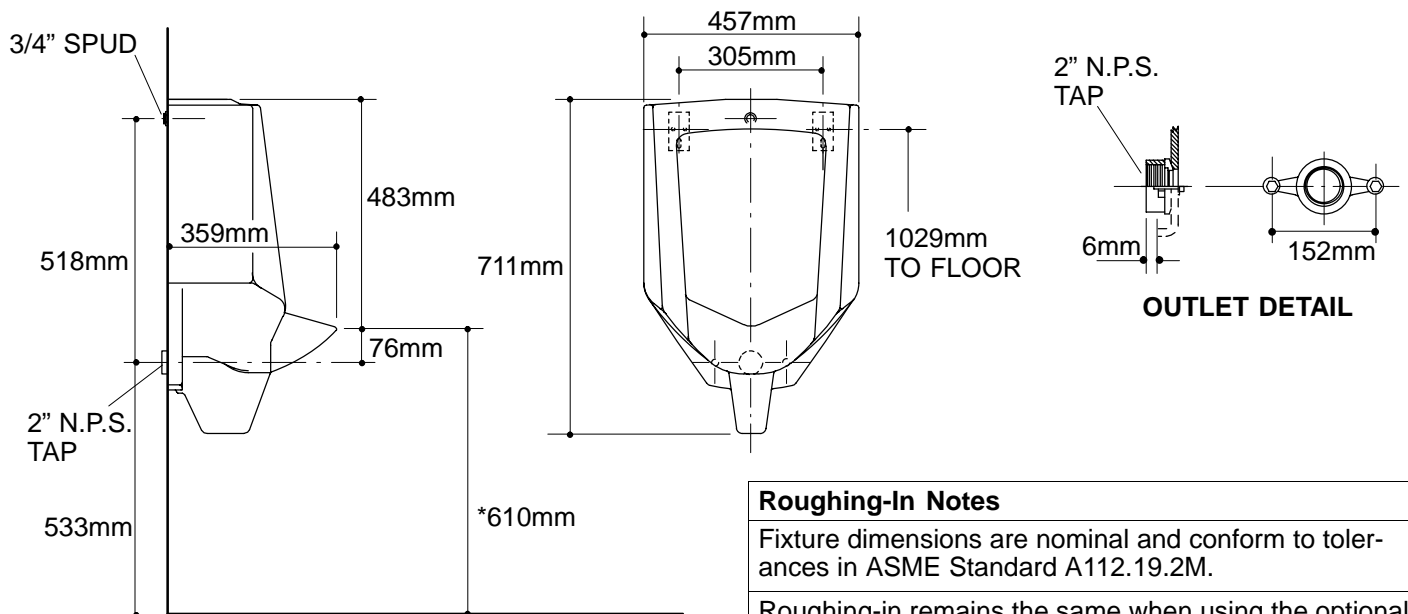


Ordering Information

Accessories/hardware:		
3" outlet spud	18773	optional

Product Information

ADA compliant.	
Fixture:	
Configuration	Rear spud
Litres per flush	2 to 4 litres*
Spud inlet size	3/4"
* Designed to flush with 2 litres of water when installed with a 2 litre flush valve.	
Included Components:	
3/4" inlet spud	18376
2" outlet spud	18766
Strainer	85062
Hanger (2 required)	64512
Flush valve requirements: Refer to manufacturer's instructions and local codes.	



Roughing-In Notes

Fixture dimensions are nominal and conform to tolerances in ASME Standard A112.19.2M.

Roughing-in remains the same when using the optional 3" outlet spud 18773.

*Urinal complies with ADA requirement when rim is mounted no higher than 432mm from finished floor.